



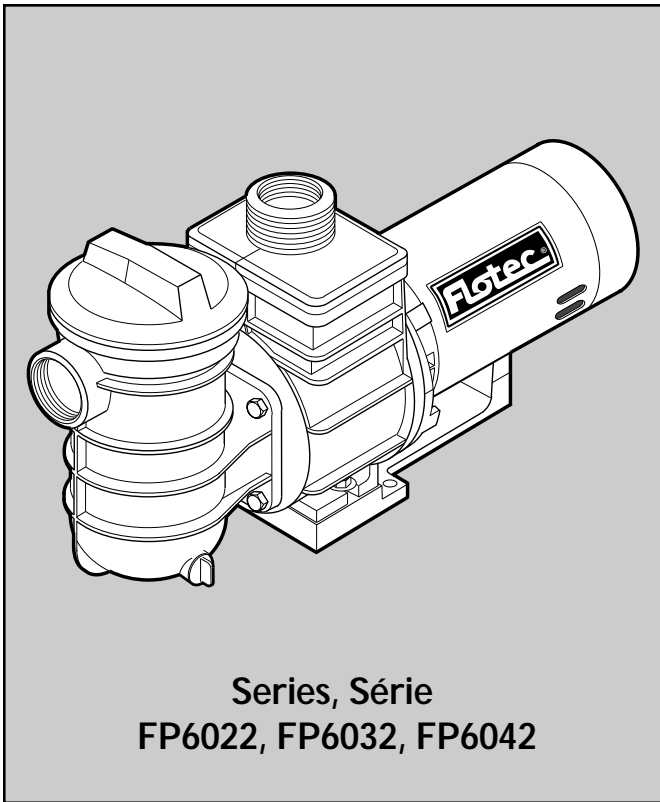
P.O. Box 342, Delavan, WI 53115  
 Phone: 1-800-365-6832  
 Fax: 1-800-526-3757  
 E-Mail: info@flotecwater.com  
 Web Site: http://www.flotecwater.com

**Water**  
 is Our  
**Business®**

OWNER'S MANUAL  
**Swimming Pool or Spa Pumps**

NOTICE D'UTILISATION  
**Pompes Pour Piscines Ou Spas**

MANUAL DEL USUARIO  
**Bombas Para Piscinas O Spas**



**Installation/Operation/Parts**

*For further operating, installation, or maintenance assistance:*

**Call 1-800-365-6832**

**English ..... Pages 2-9**

**Installation/Fonctionnement/Pièces**

*Pour plus de renseignements concernant l'utilisation, l'installation ou l'entretien,*

**Composer le 1 (800) 365-6832**

**Français ..... Pages 10-17**

**Instalación/Operación/Piezas**

*Para mayor información sobre el funcionamiento, instalación o mantenimiento de la bomba:*

**Llame al 1-800-365-6832**

**Español ..... Páginas 18-24**

### FP6000 AND FP6100 SERIES SWIMMING POOL PUMPS

To avoid unneeded service calls, prevent possible injuries, and get the most out of your pump and filter, **READ THIS MANUAL CAREFULLY!**

The Flotec FP6000 series self-priming centrifugal pump is designed to be used as a filtration or circulation system pump for in-ground swimming pools, spas, hot tubs, and solar systems.

The Flotec FP6100 series pump is designed to be used as a filtration or circulation system pump for above ground swimming pools, spas, hot tubs, and solar systems.

All models:

- Are designed to eliminate corrosion of parts under normal pool usage and maintenance.
- Are excellent performers; durable, reliable, with non-clogging impeller.

For other applications of pump, consult manufacturer.

### TABLE OF CONTENTS

Safety Instructions.....2  
 Installation.....3  
 Electrical.....4  
 Operation.....5  
 Troubleshooting Guide.....5  
 Repair Parts List.....6,7  
 Warranty.....8

### GENERAL

Pump has been carefully assembled, tested, inspected and packed at our factory. Note any damage to product on delivery ticket and file claim promptly with carrier or store of purchase.

## IMPORTANT SAFETY INSTRUCTIONS

Always follow basic safety precautions with this equipment, including the following.

**▲ WARNING** To reduce the risk of injury, do not permit children to use this product unless they are closely supervised at all times.

**▲ CAUTION** This pump is for use with permanently installed pools and may also be used with hot tubs and spas if so marked. Do not use with storable pools. A permanently installed pool is constructed in or on the ground or in a building such that it cannot be readily disassembled for storage. A storable pool is constructed so that it may be readily disassembled for storage and reassembled to its original integrity.

## SAVE THESE INSTRUCTIONS

## READ AND FOLLOW ALL INSTRUCTIONS!

**▲** This is the safety alert symbol. When you see this symbol on your system or in this manual, look for one of the following signal words and be alert to the potential for personal injury.

**▲ DANGER** warns about hazards that **will** cause death, serious personal injury, or major property damage if ignored.

**▲ WARNING** warns about hazards that **can** cause death, serious personal injury, or major property damage if ignored.

**▲ CAUTION** warns about hazards that **will** or **can** cause minor personal injury or property damage if ignored.

**NOTICE** indicates special instructions not related to hazards.

**Carefully read and follow all safety instructions in this manual and on equipment.** Keep safety labels in good condition; replace if missing or damaged.

**▲ WARNING** **Hazardous pressure** **Incorrectly installed or tested equipment may fail, causing severe injury or property damage.**

Read and follow instructions in owner's manual when installing and operating equipment. Have a trained pool professional perform all pressure tests.

1. Do not connect system to a high pressure or city water system.
2. Use equipment only in a pool or spa installation.
3. Trapped air in system can cause explosion. **BE SURE** all air is out of system before operating or testing equipment.

**Before pressure testing, make the following safety checks:**

- Check all clamps, bolts, lids, and system accessories before testing.
- Release all air in system before testing.
- Tighten Flotec trap lids to 30 ft. lbs. (4.1 kg-cm) torque for testing.
- Water pressure for test must be less than 25 PSI (172 kPa).
- Water Temperature for test must be less than 100° F. (38° C).
- Limit test to 24 hours. After test, visually check system to be sure it is ready for operation. Remove trap lid and retighten hand tight only.

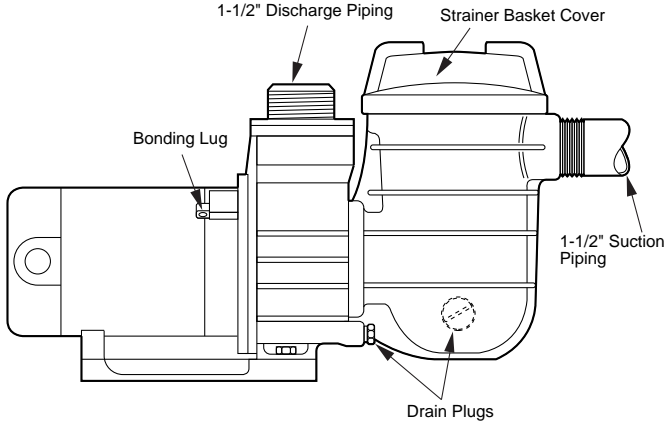
**NOTICE:** These parameters apply to Flotec equipment only. For non-Flotec equipment, consult manufacturer.

**INSTALLATION (FIG. 2 & 3)**

For FP6000 series, locate pump as close as possible to pool (no more than 8 ft. above pool water level).

For FP6100 series, pump must be installed below water level. Install trap into pump suction port by turning trap clockwise into port threads. Apply teflon tape on threads of trap before threading. Trap must be vertical when fully assembled. Be sure trap is threaded tight on pump to avoid water leakage.

For ease of pump/motor removal, install pipe unions on suction and discharge pipes close to pump.



**Figure 1 – FP6000 Series Pump**

**PUMP MOUNT MUST:**

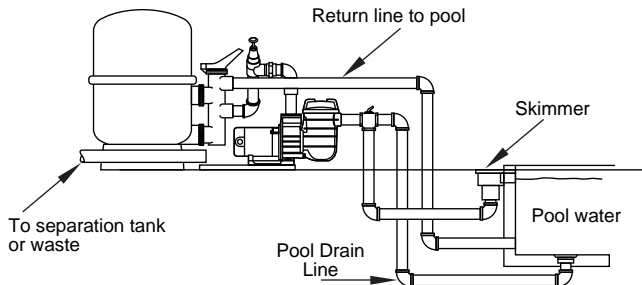
- Be solid-level-rigid-vibration free. (To reduce vibration and pipe stress, bolt pump to mount.)
- Allow use of short, direct suction pipe (to reduce friction losses).
- Allow for gate valves in suction and discharge piping.
- Have adequate floor drainage to prevent flooding.
- Be protected from excess moisture and direct salt air.
- Allow ventilation for air cooled motor.
- Allow adequate access for servicing pump and piping.

**NOTICE: Use Teflon tape or Plasto-Joint Stik for making all threaded connections to pump. Do not use pipe dope; it will cause stress cracking in pump.**

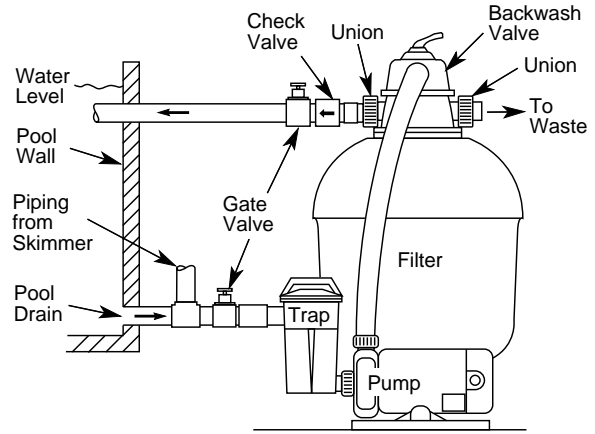
**NOTICE: Pump suction and discharge connections have molded-in thread stops. DO NOT try to screw pipe in beyond these stops.** Tighten pump/trap fittings only as required to ensure tight connection (1-1/2 turns past hand tight). Do not overtighten. Use care when using teflon tape as friction is reduced considerably; do not overtighten connections or damage may occur.

**TEFLON TAPING INSTRUCTIONS:**

- Use only new or clean PVC pipe fittings.
- Wrap male pipe threads with 1 to 2 layers of teflon tape, winding tape clockwise as you face start of male thread. Cover entire threaded portion of pipe.



**Figure 2 – Typical In-Ground Pool Installation**

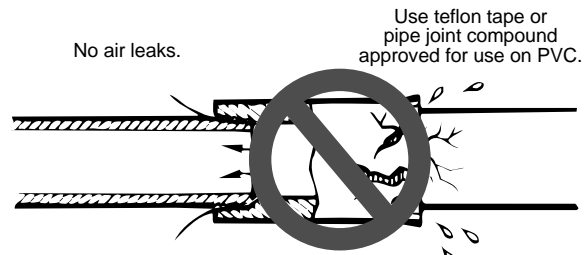


**Figure 3 – Typical Above-Ground Pool Installation**

- **DO NOT OVERTIGHTEN** or tighten past thread stop in pump port!
- If leaks occur, remove pipe, clean old tape, rewrap with one to two additional layers of tape and remake connection.
- **NOTICE:** Support all piping connected with pump!

**PIPING**

- For pump discharge:
  - FP6000 - use 1-1/2" PVC pipe or reinforced hose
  - FP6100 - use 1-1/4" PVC pipe or reinforced hose
- For pump suction on all models, use 1-1/2" reinforced hose.
- Increase size if a long run is needed. For pipe larger than port, use reducing fitting in trap port.
- To avoid pump strain, support suction and discharge independently. Place supports near pump.
- To avoid strain left by a gap at last connection, start all piping at pump and run pipe away from pump.
- Never use suction pipe smaller than pump suction connections.
- No air leaks in suction pipe. Keep pipe straight. Suction pipe inlet must be lower than pump inlet port. (Fig. 4)



**Figure 4 – Suction Pipe Must Not Leak Air In or Water Out**

**NOTICE:** To prevent flooding when removing pump from service, all flooded suction systems must have gate valves in suction and discharge pipes.


- Use expansion joint or flexible piping. (Plastic pipe will expand and contract as temperature changes.)

**FITTINGS**

- Fittings restrict flow. Use fewest possible fittings.
- Avoid fittings that could cause an air trap.
- Pool and spa fittings must conform to International Association of Plumbing and Mechanical Officials (IAPMO) standards.
- Use a non-entrapping suction fitting in pool or double suction (skimmer & main drain).

**ELECTRICAL**

**⚠ WARNING**



**Hazardous voltage. Can shock, burn, or cause death.**

Ground pump before connecting to power supply.

**⚠ Ground motor before connecting to electrical power supply! Failure to ground pump motor can cause serious or fatal electrical shock hazard!**

**⚠ Do not ground to a gas supply line!**

**⚠ To avoid dangerous or fatal electrical shock, turn OFF power to motor before working on electrical connections.**

**⚠ Ground Fault Circuit Interrupter (GFCI) tripping indicates electrical problem. If GFCI trips and won't reset, consult electrician to inspect and repair electrical system.**

**⚠ FIRE HAZARD! Match supply voltage to motor nameplate voltage.**

**WIRING**

- Pump must be permanently connected to circuit. Table I gives correct wires and circuit breaker sizes for the pump alone. If other lights or appliances are also on the same circuit, be sure to add their amp loads to pump amp load before figuring wire and circuit breaker sizes. (If unsure how to do this or if this is confusing, consult a licensed electrician). Use the load circuit breaker as the master on-off switch.
- Install a Ground Fault Circuit Interrupter (GFCI) in circuit; it will sense a short-circuit to ground and disconnect power before it becomes dangerous to pool users. For size of GFCI required and test procedures for GFCI, see manufacturer's instruction.
- In case of power outage, check GFCI for tripping (which will prevent normal pump operation). Reset if necessary.
- **NOTICE:** If you do not use conduit when wiring motor, **be sure** to seal wire opening on end of motor to prevent dirt, bugs, etc., from entering.
- Use wire rated at 75°C on all models.

**VOLTAGE**

- Voltage at motor must not be more than 10% above or below motor nameplate rated voltage or motor may overheat, causing overload tripping and reduced component life. If voltage is less than 90% or more than 110% of rated voltage when motor is running at full load, consult power company.

**IMPORTANT:** Be sure lead wire opening on end of motor is sealed when conduit is not used. Failure to seal it will allow debris to enter back compartment of motor through conduit opening and cause switch malfunction.

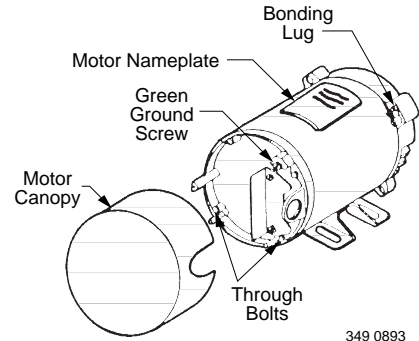
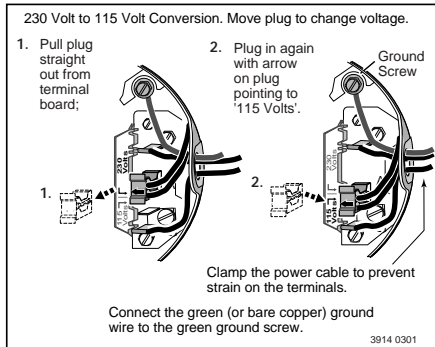
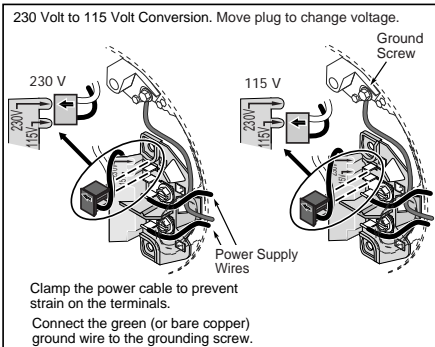
**⚠ Values in Table I are for PUMP MOTOR ONLY. If additional accessories are installed on pump motor circuit (heater, blower, etc.), include amperage draw when figuring wire and circuit breaker sizes.**

**GROUNDING (Fig. 5)**

- Permanently ground motor; use size and type wire required by code.
- Ground connection must be made to green grounding screw under motor canopy or access plate.
- Connect motor ground terminal to electrical service ground.

**BONDING (Fig. 5)**

- 'Bonding' connects all metal parts around a swimming pool with a 'Bonding Wire' to form one unit - in case of short or ground - there will be no electrical current flow between them. Bonding is not the same as grounding.
- Bonding reduces the chance of receiving an electrical shock from metal parts of pool structure.
- Follow all local and national code requirements for bonding swimming pools, spas, hot tubs, etc.
- Make all bonding connections as bare metal-to-metal clamped or soldered connections.
- Install and bond pump according to local codes and ordinances; use bonding lug on motor. Use solid copper conductor No. 8 AWG (8.4 mm<sup>2</sup>) or larger.
- Connect No. 8 AWG (8.4 mm<sup>2</sup>) solid copper bonding wire to pressure wire connector on motor housing and all metal parts of swimming pool, spa, etc., metal piping or conduit within 5 ft. (1,5m) of inside walls of swimming pool, spa, etc.



**NOTE:** All models are factory wired for 230 volts. To convert motor for 110 volt operation, compare rear of motor to 115 volt diagram.

**Figure 5 – Typical ground screw and bonding lug locations.**

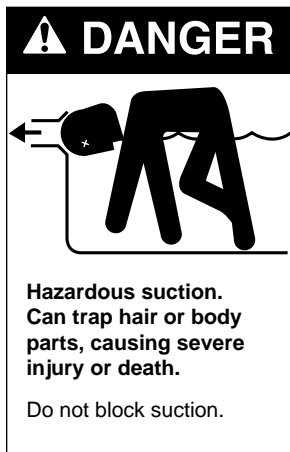
**TABLE I - WIRING CHART - RECOMMENDED FUSING AND WIRING DATA**

PUMP MODEL	HP	VOLTAGE	MAX. LOAD AMPS	BRANCH FUSE RATING AMPS*	DISTANCE IN FT. (SERV. TO MOTOR)		
					0-100' (0-30m)	101-200' (31-61m)	201-300' (61-91m)
FP6022	3/4	115	10.2	15	14 (2mm <sup>2</sup> )	10 (5.5mm <sup>2</sup> )	8 (8.4mm <sup>2</sup> )
	3/4	230	5.1	15	14 (2mm <sup>2</sup> )	14 (2mm <sup>2</sup> )	14 (2mm <sup>2</sup> )
FP6032	1	115	12.6	20	12 (3mm <sup>2</sup> )	10 (5.5mm <sup>2</sup> )	8 (8.4mm <sup>2</sup> )
	1	230	6.3	15	14 (2mm <sup>2</sup> )	14 (2mm <sup>2</sup> )	14 (2mm <sup>2</sup> )
FP6042	1-1/2	115	16	20	12 (3mm <sup>2</sup> )	8 (8.4mm <sup>2</sup> )	6 (13mm <sup>2</sup> )
	1-1/2	230	8	15	14 (2mm <sup>2</sup> )	14 (2mm <sup>2</sup> )	12 (3mm <sup>2</sup> )
FP6111	1/2	115	8.4	15	14 (2mm <sup>2</sup> )	12 (3mm <sup>2</sup> )	10 (5.5mm <sup>2</sup> )
FP6121	3/4	115	11.4	15	14 (2mm <sup>2</sup> )	10 (5.5mm <sup>2</sup> )	8 (8.4mm <sup>2</sup> )

**Wire Size AWG (mm<sup>2</sup>)**

All pumps are 60 cycle/Single phase.

\* Time delay fuses are recommended instead of standard fuses in motor circuit.

**OPERATION**

**⚠ NEVER run pump dry!** Running pump dry may damage seals, causing leakage and flooding! Fill pump volute and trap with water before starting motor.

**⚠ Do not add chemicals to pool/spa system directly in front of pump suction.** Adding undiluted chemicals may damage pump and voids warranty.

**⚠ Before removing trap cover:**

1. STOP PUMP before proceeding.
2. CLOSE GATE VALVES in suction and discharge pipes.

3. RELEASE ALL PRESSURE from pump and piping system.

**⚠ If pump is being pressure tested, be sure pressure has been released before removing trap cover.**

**⚠ DO NOT BLOCK PUMP SUCTION! To do so with body may cause fatal injury. Small children using pool must ALWAYS have close adult supervision!**

**NOTICE:** Do not block pool return or spa jets! To do so may flood area causing damage to equipment and surrounding area.

**PRIMING PUMP**

- Open gate valves before starting system.
  - Release all air from filter and piping system. See filter owner's manual.
  - In a flooded suction system (water source higher than pump), pump will prime itself when suction and discharge valves are opened.
  - If pump is not in a flooded suction system, unscrew and remove trap cover; fill trap and pump with water.
  - Clean and lubricate trap cover o-ring with petroleum jelly each time it is removed.
  - Clean and inspect o-ring; reinstall on trap cover.
  - Replace trap cover on trap; turn clockwise to tighten cover.
- NOTICE:** Tighten trap cover by hand only (no wrenches)! Use a wrench only if necessary to remove lid.
- Pump should prime. Priming time will depend on vertical length of suction lift and horizontal length of suction pipe.
  - If pump does not prime within ten minutes, stop motor and determine cause. Be sure all suction and discharge valves are open when pump is running. See Troubleshooting Guide.

**POOL, SPA OR TUB WATER**

- Keep water level 2" (5cm) above bottom of skimmer opening when system is not in use. Failure to do so can allow air to enter system, causing pump to lose its prime.
- Keep water temperature at 104°F (40°C) or below for spas/tubs.
- If uncertain, start at lower temperature and increase it according to your experience.
- Keep thermometer in pool/spa. Check it before getting in.
- Keep pool water balanced. Maintain water pH between 7.2 and 7.6.
- Do not use or allow use of spa/pool by anyone using alcohol or drugs. Effects of hot water, alcohol and/or drugs can cause dizziness, loss of consciousness, or heart attack.

**TROUBLESHOOTING GUIDE**

**⚠** Only qualified personnel should electrically test pump motor.

**⚠ DISCONNECT POWER TO MOTOR BEFORE WORKING ON PUMP.** Close suction and discharge gate valves.

**PUMP LOSES PRIME / SUCTION LEAKS**

1. Make sure there are no leaks in suction piping. Trap lid cover must be air tight.
2. Inspect trap o-ring for cuts or nicks. Replace if necessary. Lubricate with petroleum jelly before installation.
3. Make sure suction pipe inlet to pump is well below water level to prevent pump from sucking air.
4. Replace suction trap gasket if defective.
5. Suction lift of 8 - 10' (2.4 - 3m) will reduce performance. Suction lift in excess of 10' (3m) will prevent pumping and cause pump to lose prime. Move pump closer (vertically) to water source. Check size of suction pipe.

**PUMP RUNS AND DELIVERS LITTLE OR NO WATER**

1. Check and clean suction trap, impeller, fittings, or trap strainer.
2. Check and clean pool filter.
3. Check for worn impeller or diffuser and replace.
4. Make sure gate valves are fully open.
5. Suction piping is too small.
6. Wrong pipe-higher head needed

**CIRCUIT BREAKER TRIPS REPEATEDLY**

1. Breaker must be of adequate capacity.
2. For GFCI breaker, test according to GFCI manufacturer's instructions.
3. Make sure no other appliances or lights are on circuit.

**MECHANICAL TROUBLES / NOISE**

1. Make sure suction and discharge piping are supported.
2. Securely mount pump on concrete platform for quietest performance.
3. Air leak in suction line. Repair leak and tighten trap lid.
4. Check and clean debris in pump impeller.
5. Cavitation -
  - Remove suction flow restrictions.
  - Increase pipe size.
  - Decrease number of fittings in suction piping.
  - Increase discharge pressure.
  - Reduce flow by throttling discharge gate valve.

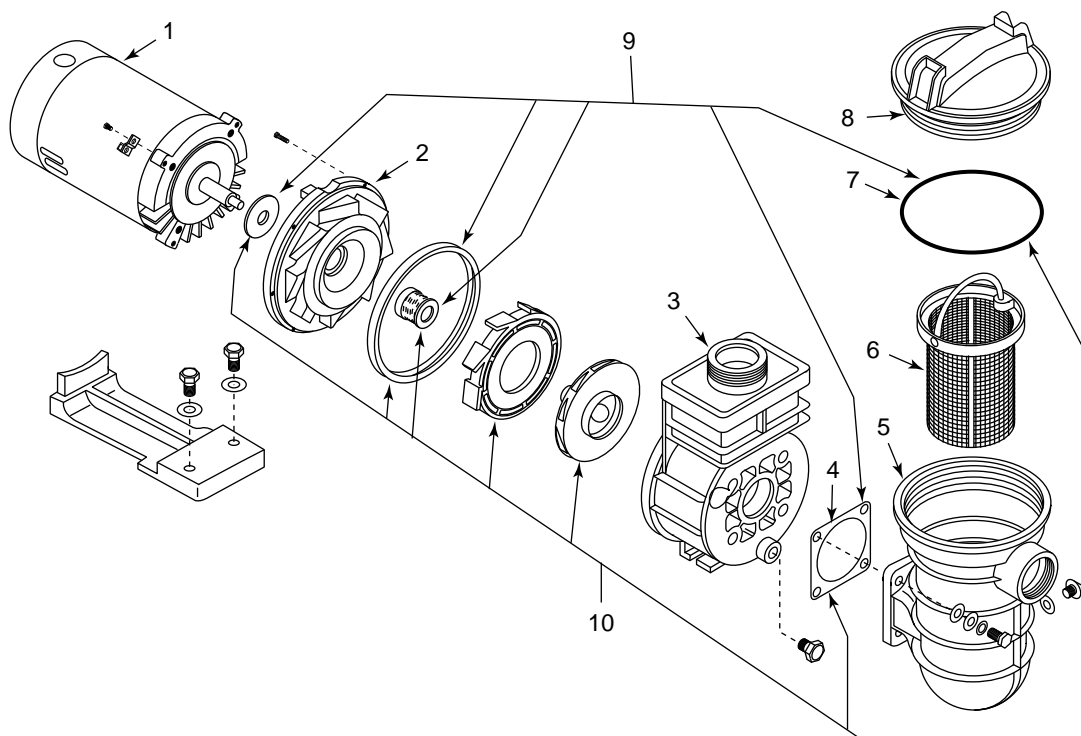
**ELECTRICAL**

1. Pump may be running too slowly; check voltage at motor terminals and at meter while pump is running. If low, see wiring instructions or consult power company. Check for loose connections.
2. Pump may be too hot.
  - A. Check line voltage. If less than 90% or more than 110% of rated voltage, consult a licensed electrician.
  - B. Increase ventilation.
  - C. Reduce surrounding temperature.
  - D. Tighten any loose connections.
3. Motor internal thermal overload protector is open. Motor runs too hot. Turn power to motor off. Check for proper voltage. Check for impeller rubbing.
4. Check GFCI for proper operation according to GFCI manufacturer's instructions.
5. Consult dealer/installer or service representative.

**FP6022-00 – 3/4 HP**

**FP6032-00 – 1 HP**

**FP6042-00 – 1-1/2 HP**



1219 0894

**REPAIR PARTS LIST**

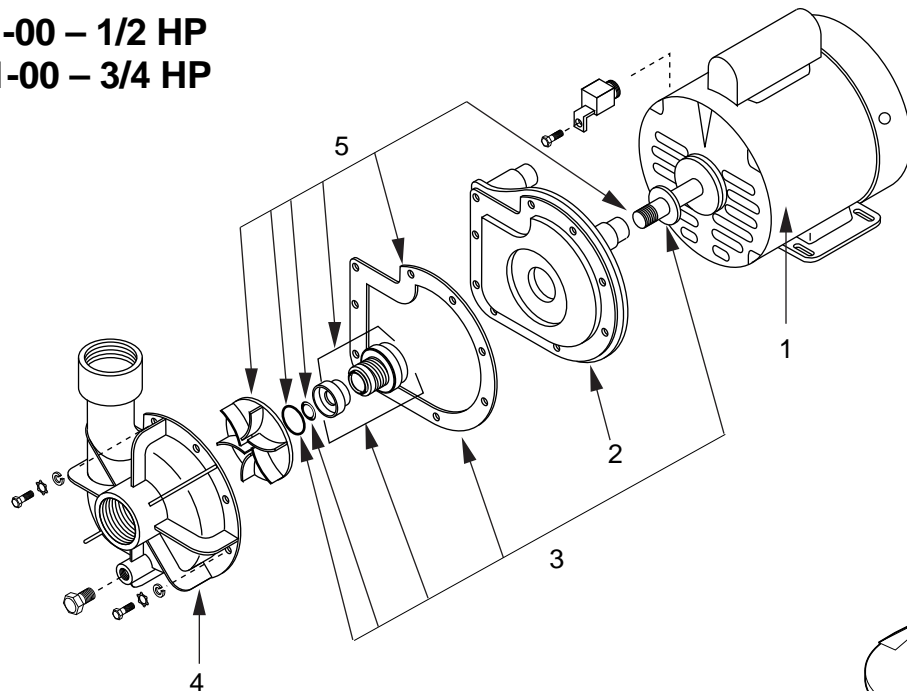
Key #	Description	# Used	MODEL AND HP		
			FP6022-00 3/4 HP	FP6032-00 1 HP	FP6042-00 1-1/2 HP
1	Motor 115/230V	1	A910DL	A910EL	A910FL
2	Seal Plate	1	17140-0012	17140-0012	17140-0012
3	Tank Body	1	C276-57P	C276-57P	C276-57P
4	Gasket	1	C20-123	C20-123	C20-123
5	Trap Body	1	C153-53P1	C153-53P1	C153-53P1
6	Trap Basket	1	C108-33P	C108-33P	C108-33P
7	Trap Cover O-Ring	1	U9-229	U9-229	U9-229
8	Trap Cover	1	C3-139P1	C3-139P1	C3-139P1
9	Seal and Gasket Kit*	1	FPP5006	FPP5006	FPP5006
10	Overhaul Kit #	1	FPP5005	FPP5004	FPP5003

\* Seal and Gasket Kit includes water slinger, gasket, shaft seal, shims.

# Overhaul Kit includes Key 9, impeller, and diffuser.

Kits include assembly information.

**FP6111-00 – 1/2 HP**  
**FP6121-00 – 3/4 HP**



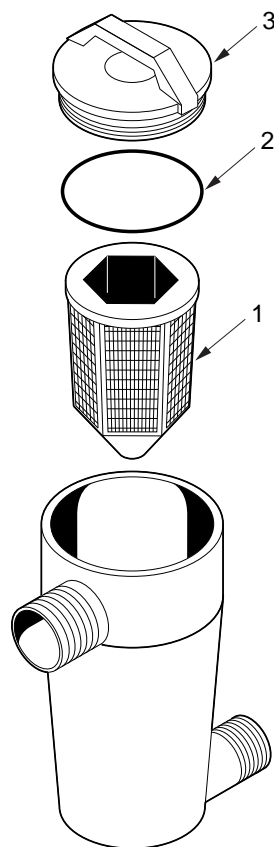
**REPAIR PARTS LIST**

Key #	Description	# Used	MODEL AND HP	
			FP6111-00 1/2HP	FP6121-00 3/4HP
1	Motor-60 Cycle-115V	1	A800CL	A800DL
2	Seal Plate	1	C1-84P2	C1-84P2
3	Seal and Gasket Kit*	1	FPP1075	FPP1075
4	Volute	1	C101-247P	C101-247P
5	Overhaul Kit #	1	FPP1081	FPP1082
•	Insert Fitting	1	U78-859PA	U78-859PA

\* Seal and Gasket Kit includes water slinger, gasket, shaft seal, shims

# Overhaul Kit includes Key 3 and impeller

• Not illustrated



**REPAIR PARTS LIST - TRAP ASSEMBLY**

Key #	Description	# Used	Part #
••	Trap-Complete	1	16920-1001
1	Basket	1	C8-57P
2	O-ring	1	U9-295
3	Cover	1	C3-174P

ATTACH ORIGINAL RECEIPT HERE FOR WARRANTY CONSIDERATION.

## Flotec Limited Warranty

FLOTEC warrants to the original consumer purchaser ("Purchaser") of its products that they are free from defects in material or workmanship.

If within twelve (12) months from the date of the original consumer purchase any such product shall prove to be defective, it shall be repaired or replaced at FLOTEC's option, subject to the terms and conditions set forth below. Your original receipt of purchase is required to determine warranty eligibility.

### **Exceptions to the Twelve (12) Month Warranty**

#### ***Ninety (90) Day Warranty:***

If within ninety (90) days from original consumer purchase any Drill Pump, Pitcher Pump, or In-Line Water Filter Cartridge shall prove to be defective, it shall be replaced, subject to the terms set forth below.

#### ***Two (2) Year Warranty:***

If within two (2) years from original consumer purchase any 1/3 HP Submersible Sump Pump or Model FP2800DCC shall prove to be defective, it shall be repaired or replaced at FLOTEC's option, subject to the terms and conditions set forth below.

#### ***Three (3) Year Warranty:***

If within three (3) years from original consumer purchase any 4" Submersible Well Pump, or 1/2 HP Submersible Sump Pump, shall prove to be defective, it shall be repaired or replaced at FLOTEC's option, subject to the terms and conditions set forth below.

#### ***Four (4) Year Warranty:***

If within four (4) years from original consumer purchase any FLOODMATE™ 7000 or IRONMATE™ Submersible Sump Pump shall prove to be defective, it shall be repaired or replaced at FLOTEC's option, subject to the terms and conditions set forth below.

#### ***Five (5) Year Warranty:***

If within five (5) years from original consumer purchase any Pre-Charge water system tank shall prove to be defective, it shall be repaired or replaced at FLOTEC's option, subject to the terms and conditions set forth below.

### **General Terms and Conditions**

Purchaser must pay all labor and shipping charges necessary to replace product covered by this warranty. This warranty shall not apply to acts of God, nor shall it apply to products which, in the sole judgement of FLOTEC, have been subject to negligence, abuse, accident, misapplication, tampering, alteration; nor due to improper installation, operation, maintenance or storage; nor to other than normal application, use or service, including but not limited to, operational failures caused by corrosion, rust or other foreign materials in the system, or operation at pressures in excess of recommended maximums.

Requests for service under this warranty shall be made by returning the defective product to the Retail outlet or to FLOTEC as soon as possible after the discovery of any alleged defect. FLOTEC will subsequently take corrective action as promptly as reasonably possible. No requests for service under this warranty will be accepted if received more than 30 days after the term of the warranty.

This warranty sets forth FLOTEC's sole obligation and purchaser's exclusive remedy for defective products.

FLOTEC SHALL NOT BE LIABLE FOR ANY CONSEQUENTIAL, INCIDENTAL, OR CONTINGENT DAMAGES WHATSOEVER.

THE FOREGOING WARRANTIES ARE EXCLUSIVE AND IN LIEU OF ALL OTHER EXPRESS WARRANTIES. IMPLIED WARRANTIES, INCLUDING BUT NOT LIMITED TO THE IMPLIED WARRANTIES OF MERCHANTABILITY AND FITNESS FOR A PARTICULAR PURPOSE, SHALL NOT EXTEND BEYOND THE DURATION OF THE APPLICABLE EXPRESS WARRANTIES PROVIDED HEREIN.

Some states do not allow the exclusion or limitation of incidental or consequential damages or limitations on how long an implied warranty lasts, so the above limitations or exclusions may not apply to you. This warranty gives you specific legal rights and you may also have other rights which vary from state to state.

FLOTEC • P.O. Box 342 • Delavan, WI U.S.A. 53115

Phone: 1-800-365-6832 • Fax: 1-800-526-3757

E-Mail: [info@flotecwater.com](mailto:info@flotecwater.com) • Web Site: <http://www.flotecwater.com>



## POMPES POUR PISCINE SÉRIES FP6000 ET FP6100

Pour éviter les visites d'entretien inutiles, les blessures potentielles et pour obtenir un rendement optimal de la pompe et du filtre utilisés, **LIRE ATTENTIVEMENT LE CONTENU DE CE MANUEL!**

La pompe centrifuge à amorçage automatique de série Flotec FP6000 est destinée à servir de pompe du circuit de filtration ou de circulation pour les circuits d'eau des piscines creusées, des bains tourbillon, des spas et des systèmes solaires.

La pompe Flotec série FP6100 est destinée à servir de pompe du circuit de filtration ou de circulation pour les circuits d'eau des piscines de surface, des bains tourbillon, des spas et des systèmes solaires.

Tous les modèles :

- sont conçus pour éliminer la corrosion des pièces, en conditions de fonctionnement et de maintenance normales de la piscine.
- assurent un rendement excellent grâce à : leur endurance, leur fiabilité et leurs roues motrices non engorgeables.

Pour plus de détails sur les autres applications de la pompe, contacter le fabricant.

## TABLE DES MATIÈRES

Instructions de sécurité .....	10
Installation .....	11
Installation électrique.....	12
Fonctionnement.....	13
Localisation des pannes.....	13
Liste des pièces de rechange .....	14-15
Garantie.....	16

## GÉNÉRAL

La pompe a été assemblée, testée, inspectée et emballée avec soin en usine. Reporter sur le billet de livraison tout dégât constaté sur le produit et engager sans tarder une demande de réclamation auprès du transporteur ou du distributeur du produit acheté.

## IMPORTANTES INSTRUCTIONS DE SÉCURITÉ

Toujours observer les consignes de sécurité de base lorsque l'on utilise cet équipement, y compris celles qui suivent.

**▲ AVERTISSEMENT** Pour minimiser le risque de blessure, ne pas permettre aux enfants d'utiliser ce produit, à moins qu'ils soient toujours attentivement surveillés.

**▲ ATTENTION** Cette pompe doit être utilisée avec une piscine à installation permanente; elle peut également être utilisée avec des cuves à remous et des bains tourbillons si cela est recommandé. Ne pas utiliser cette pompe avec des piscines portatives. Une piscine à installation permanente est construite dans le sol, sur le sol ou dans un bâtiment et elle ne peut pas être facilement démontée pour être remise. Une piscine portative est construite de façon à être facilement démontée pour le remisage, puis remontée dans son intégrité d'origine.

## CONSERVER CES INSTRUCTIONS

## LIRE TOUTES CES INSTRUCTIONS ET LES SUIVRE!

**▲** Ce symbole indique qu'il faut être prudent. Lorsque ce symbole apparaît sur le système ou dans ce Manuel, rechercher une des mises en garde qui suivent car elles indiquent un potentiel possible de blessures corporelles.

**▲ DANGER** avertit d'un danger **qui causera** des blessures corporelles, la mort ou des dommages matériels importants si on l'ignore.

**▲ AVERTISSEMENT** avertit d'un danger **qui risque** de causer des blessures corporelles, la mort ou des dommages matériels importants si on l'ignore.

**▲ ATTENTION** avertit d'un danger **qui causera** ou **qui risquera** de causer des blessures corporelles, la mort ou des matériels importants si on l'ignore.

Le mot **NOTA** indique des instructions spéciales et importantes n'ayant aucun rapport avec les dangers.

**Lire attentivement toutes les consignes de sécurité contenues dans ce Manuel ou collées sur l'équipement.** Garder les étiquettes de sécurité en bon état; les remplacer si elles manquent ou si elles sont endommagées.

**▲ AVERTISSEMENT** **Un équipement mal installé ou mal contrôlé peut tomber en panne, causer de graves blessures ou des dommages matériels.** Lire et suivre les instructions figurant dans le Manuel de l'utilisateur pour installer et utiliser l'équipement. Demander à une personne connaissant bien les piscines de procéder aux contrôles de pression.

1. Ne pas brancher le système sur une pression élevée ou sur l'eau de la ville.
2. N'utiliser l'équipement qu'avec une piscine ou un bain tourbillon.
3. De l'air emprisonné dans le système risque de causer une explosion. S'ASSURER que tout l'air est chassé du système avant de faire fonctionner l'équipement ou de le contrôler.

**Avant de procéder à un contrôle de pression, procéder aux contrôles de sécurité suivants :**

- Vérifier tous les colliers, les vis, les couvercles et les accessoires du système avant de procéder aux contrôles.
- Chasser tout l'air emprisonné dans le système avant de procéder aux contrôles.
- Pour procéder aux contrôles, serrer les couvercles Flotec au couple de 4,1 kg-cm (30 lb-pi).
- Pour procéder aux contrôles, la pression de l'eau doit être inférieure à 172 kPa (25 lb/po<sup>2</sup>).
- Pour procéder aux contrôles, la température de l'eau doit être inférieure à 38 °C (100 °F).
- Limiter le contrôle à 24 heures. Après avoir procédé au contrôle, vérifier visuellement le système pour s'assurer qu'il est prêt à fonctionner. De poser le couvercle et ne le resserrer qu'à la main.

**NOTA :** Ces paramètres ne sont valables que pour de l'équipement Flotec. Pour tout autre équipement, consulter le fabricant.

**INSTALLATION (FIG. 2 ET 3)**

Dans le cas des séries FP6000, placer la pompe le plus près possible de la piscine (jamais à une hauteur dépassant 2,4 m – 8 pi – au-dessus du niveau d'eau de la piscine).

Dans le cas des séries FP6100, la pompe doit être installée en dessous du niveau d'eau. Monter la crépine dans l'orifice d'aspiration de la pompe, en visant la crépine sur les filets de l'orifice, dans le sens des aiguilles d'une montre. Appliquer une couche de bande téflon sur les filets de la crépine avant d'effectuer le filetage. La crépine doit se trouver en position verticale après avoir été assemblée. Vérifier que le filetage de la crépine est bien étanche pour éviter les fuites au niveau de la pompe.

Pour faciliter la dépose de l'ensemble pompe/moteur, installer des raccords universels sur les tuyaux de refoulement et d'aspiration, à proximité de la pompe.

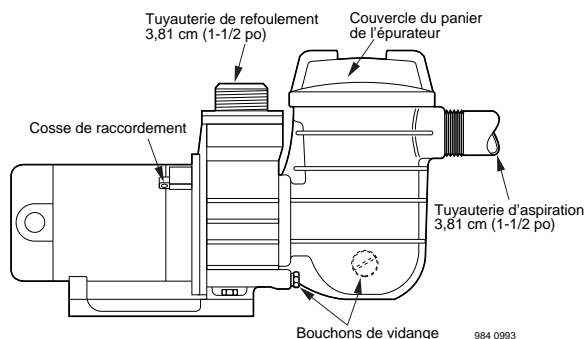


Figure 1 – Pomme série FP6000

**LA FIXATION DE LA POMPE DOIT :**

- Être stable, solide, à niveau et n'entraînant aucune vibration (Pour réduire les vibrations et la contrainte sur les tuyaux, boulonner la pompe au socle du montage.)
- Permettre l'utilisation de tuyaux courts d'aspiration en ligne directe (pour réduire les pertes provoquées par la friction).
- Tenir compte des robinets-vanne dans la tuyauterie d'aspiration et de refoulement.
- Posséder un système d'évacuation au niveau du sol adéquate pour prévenir les débordements d'eau.
- Être protégée contre tout excès d'humidité et contre l'atmosphère saline.
- Permettre la ventilation du moteur refroidi par air.
- Permettre l'accès pour toute intervention d'entretien sur la canalisation et la pompe.

**REMARQUE : Utiliser de la bande téflon ou de la pâte à joint Plasto-Joint Stik pour assurer toutes les connexions filetées sur la pompe. Ne pas utiliser d'enduit pour tuyaux ; cela risquerait de provoquer dans la pompe des fissures dues à la contrainte.**

**REMARQUE : Les connexions des tuyaux d'aspiration et de refoulement de la pompe présentent des butées filetées incorporées au moulage. NE PAS forcer les tuyaux au-delà de ces butées.** Serrer les raccords de l'ensemble pompe/crépine en suivant uniquement les spécifications de serrage (1-1/2 tours au-delà du serrage à main). Ne pas serrer excessivement. Appliquer avec soin la couche de bande téflon, ce qui permet de diminuer considérablement les frictions ; ne pas serrer excessivement les raccords sous risque d'endommager les éléments.

**INSTRUCTIONS POUR L'APPLICATION DE BANDE TÉFLON :**

- Employer uniquement des raccords de tuyau en PCV propres ou neufs.
- Entourer les filets du tuyau mâle de 1 ou 2 couches de ruban téflon en enroulant le ruban vers la droite en faisant face au début des filets mâles. Couvrir toute la partie fileté du tuyau.

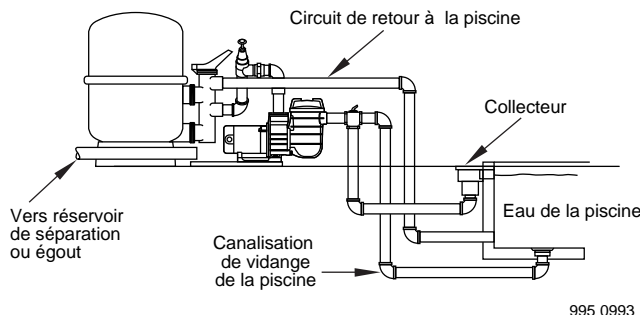


Figure 2 – Installation typique pour piscine creusée

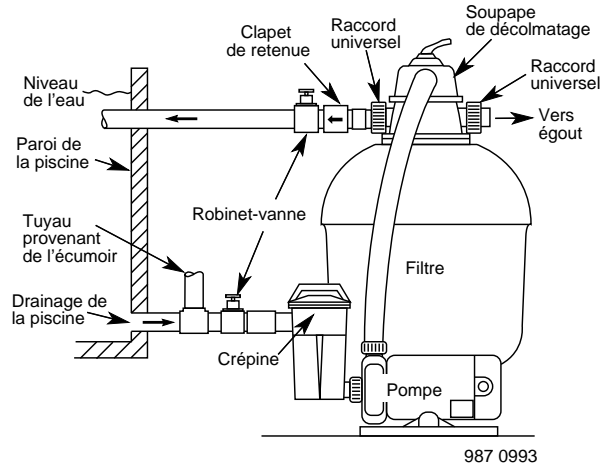


Figure 3 – Installation typique de piscine en surface

- **NE PAS SERRER EXCESSIVEMENT** ou au-delà de la butée filetée dans l'orifice d'entrée !
- En cas de fuites, déposer le tuyau, enlever l'ancien ruban adhésif et appliquer une ou deux nouvelles couches de ruban avant de refaire la connexion.
- **REMARQUE :** Assurer la fixation de tous les tuyaux connectés à la pompe !

**TUYAUTERIE**

- Pour le refoulement de la pompe :
  - FP6000 – utiliser un tuyau en PCV de calibre 3,81 cm (1-1/2 po) ou un tuyau flexible renforcé.
  - FP6100 – utiliser un tuyau en PCV de calibre 3,18 cm (1-1/4 po) ou un tuyau flexible renforcé.
- Utiliser un tuyau flexible renforcé de 3,81 cm (1-1/2 po) pour l'aspiration de la pompe, quelque soit le type du modèle.
- Augmenter le calibre du tuyau si le chemin de câblage est prolongé. Si le calibre du tuyau est plus grand que le diamètre de l'orifice de la crépine, installer un raccord réducteur dans l'orifice de la crépine.
- Pour éviter la fatigue excessive de la pompe, les supports de fixation des dispositifs d'aspiration et de refoulement doivent être indépendants. Installer les supports près de la pompe.
- Pour éviter la fatigue due au jeu de la dernière connexion, commencer l'installation de la tuyauterie au niveau de la pompe, puis poser les tuyaux en s'en éloignant.
- Ne jamais utiliser de tuyaux d'aspiration dont le calibre est plus petit que les connexions d'aspiration de la pompe.
- Le tuyau d'aspiration ne doit présenter aucune fuite d'air. Maintenir le tuyau droit. L'entrée du tuyau d'aspiration doit se trouver en dessous du niveau de l'orifice de l'entrée de la pompe. (Fig. 4)

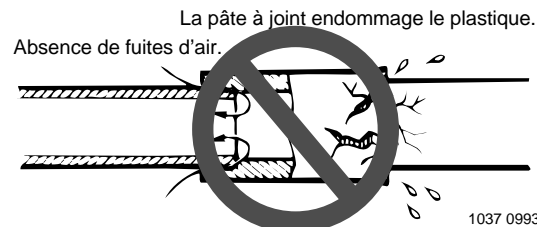


Figure 4 : Le tuyau d'aspiration ne doit pas aspirer d'air ni laisser fuir d'eau

**REMARQUE :** Pour prévenir tout débordement quand la pompe est déposée lors de sa mise hors service, des robinets-vanne doivent équiper les tuyaux d'aspiration et de refoulement dans chaque circuit d'aspiration submergé.

- Utiliser un joint de dilatation ou un tuyau flexible. (Les tuyaux en plastique se dilatent et se contractent en fonction des changements de température.)

**RACCORDS**

- Les raccords limitent le débit d'écoulement. Utiliser le moins de raccords possible.
- Éviter d'utiliser des raccords qui risquent de créer des poches d'air.
- Les raccords pour piscines et bains tourbillon doivent satisfaire aux normes de l'Association internationale des ouvriers et experts plombiers (International Association of Plumbing and Mechanical Officials–IAPMO).
- Utiliser un raccord d'aspiration ne créant pas de poches d'air dans la piscine ou le système d'aspiration double (collecteur et circuit de vidange principal).

## INSTALLATION ÉLECTRIQUE

## AVERTISSEMENT



Tension dangereuse.  
Risque d'électrocution,  
de brûlure ou d'accident  
mortel.

Mettre la pompe à la terre  
avant de brancher l'alimen-  
tation électrique.

⚠ Mettre le moteur à la terre  
avant debrancher l'alimenta-  
tion électrique! Le non-respect de cet  
avertissement peut provoquer des  
accidents d'électrocution graves ou  
mortels!

⚠ Ne pas mettre à la terre sur la  
ligne d'alimentation du gaz.

⚠ Pour éviter les risques d'élec-  
trocution fatale ou dangereuse,  
mettre le moteur HORS tension  
(position OFF) avant d'intervenir sur  
les connexions électriques.

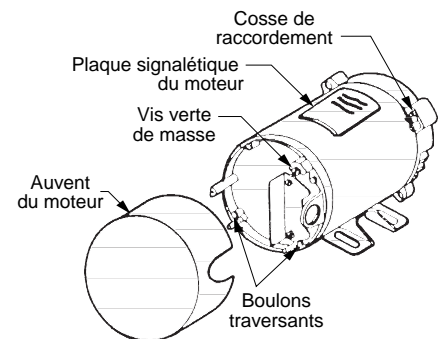
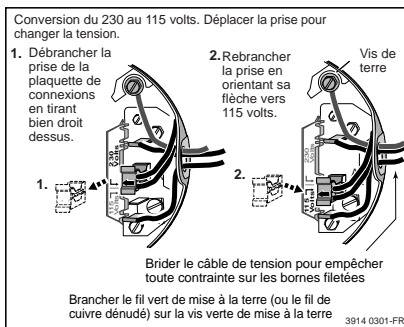
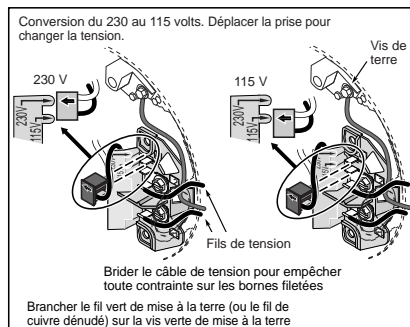
⚠ Le déclenchement de l'inter-  
rupteur du circuit de mise à la  
terre (GFCI) signale la présence  
d'une panne électrique. Si le GFCI se  
déclenche et ne se réarme pas,  
demander à un électricien d'inspec-  
ter et de réparer l'installation élec-  
trique.

⚠ DANGER D'INCENDIE !  
Adapter la tension d'alimenta-

tion à la valeur indiquée sur la plaque signalétique du moteur.

## CÂBLAGE

- La pompe doit être branchée en permanence sur le circuit. Le tableau I indique le bon calibre des conducteurs et l'intensité du disjoncteur pour la pompe seule. Si d'autres éclairages ou appareils sont également branchés sur le même circuit, s'assurer d'ajouter leurs charges en ampères à la charge en ampères de la pompe avant de calculer le calibre des conducteurs et l'intensité du disjoncteur. (Si l'on n'est pas sûr comment procéder ou si cela semble être déroutant, consulter un électricien titulaire d'un permis.) Utiliser le disjoncteur de charge en tant qu'interrupteur principal marche-arrêt.
- Installer un disjoncteur de fuite à la terre sur le circuit; il détectera tout court-circuit à la terre et interrompra le courant avant qu'il devienne dangereux pour les utilisateurs de la piscine. Pour déterminer l'intensité du disjoncteur de fuite à la terre requis et les méthodes de contrôle du disjoncteur de fuite à la terre, se reporter aux instructions du fabricant.
- En cas de panne de courant, voir si le disjoncteur de fuite à la terre ne s'est pas désenclenché (ce qui empêchera le fonctionnement normal de la pompe). Le réarmer au besoin.
- NOTA** : Si l'on n'utilise pas un conduit pour câbler le moteur, s'assurer de rendre étanche l'ouverture des fils, côté moteur, pour empêcher la poussière, les insectes, etc. de pénétrer.



982 0993

**NOTA** : Tous les modèles sont câblés à l'usine pour fonctionner sur le 230 volts. Pour transformer un moteur afin qu'il fonctionne sur le 110 volts, comparer l'arrière du moteur au schéma du 115 volts.

Figure 5 – Montage type de la vis de masse et de la cosse de raccordement

## TABLEAU I – TABLEAU DE CÂBLAGE – INDICES DES FUSIBLES ET DES FILS RECOMMANDÉS

MODÈLE DE LA POMPE	CV	TENSION	CHARGE MAXI. (AMP)	INDICE DU FUSIBLE (DÉRIVATION) (AMP)*	DISTANCE EN PIEDS (MÈTRES) SÉPARANT LE MOTEUR DE L'ALIMENTATION		
					0-100' (0-30m)	101-200' (31-61m)	201-300' (61-91m)
FP6022	3/4	115	10.2	15	14 (2mm <sup>2</sup> )	10 (5,5mm <sup>2</sup> )	8 (8,4mm <sup>2</sup> )
		230	5.1	15	14 (2mm <sup>2</sup> )	14 (2mm <sup>2</sup> )	14 (2mm <sup>2</sup> )
FP6032	1	115	12.6	20	12 (3mm <sup>2</sup> )	10 (5,5mm <sup>2</sup> )	8 (8,4mm <sup>2</sup> )
		230	6.3	15	14 (2mm <sup>2</sup> )	14 (2mm <sup>2</sup> )	14 (2mm <sup>2</sup> )
FP6042	1-1/2	115	16	20	12 (3mm <sup>2</sup> )	8 (8,4mm <sup>2</sup> )	6 (13mm <sup>2</sup> )
		230	8	15	14 (2mm <sup>2</sup> )	14 (2mm <sup>2</sup> )	12 (3mm <sup>2</sup> )
FP6111	1/2	115	8.4	15	14 (2mm <sup>2</sup> )	12 (3mm <sup>2</sup> )	10 (5,5mm <sup>2</sup> )
FP6121	3/4	115	11.4	15	14 (2mm <sup>2</sup> )	10 (5,5mm <sup>2</sup> )	8 (8,4mm <sup>2</sup> )

AWG  
(mm<sup>2</sup>)

Toutes les pompes sont de type 60 cycles/monophasé. \* Des fusibles temporisés sont recommandés pour le circuit du moteur à la place de fusibles standards.

- Sur tous les modèles, utiliser des conducteurs pouvant supporter une température maximum de 75 °C.

## TENSION

- La tension d'alimentation du moteur doit être comprise entre  $\pm 10\%$  de la valeur indiquée sur la plaque du moteur. Sinon, le moteur risque de surchauffer entraînant un fonctionnement en surcharge et réduisant la durée de vie du composant. Si la tension est inférieure à 90 % ou supérieure à 110 % de la tension calibrée alors que le moteur fonctionne en pleine charge, contacter la compagnie d'électricité.

**IMPORTANT** : S'assurer que l'ouverture du fil conducteur sur l'extrémité du moteur est bien fermée hermétiquement lorsque le conduit n'est pas utilisé. Sinon, des débris risquent de s'infiltrer dans le logement arrière du moteur par l'ouverture du conduit et d'entraîner la panne de l'interrupteur.

⚠ Les valeurs indiquées dans le tableau I sont **UNIQUEMENT POUR LE MOTEUR DE LA POMPE**. Si des accessoires supplémentaires (chauffage, ventilateur, etc.) sont branchés sur le circuit du moteur de la pompe, prévoir un prélèvement d'intensité de courant au moment de déterminer le calibrage des fils et des disjoncteurs.

## MISE À LA TERRE (Fig. 5)

- Mettre le moteur à la terre permanente ; utiliser un fil dont le type et le calibre sont recommandés par le code d'électricité en vigueur.
- La mise à la terre doit être raccordée à la vis verte de mise à la masse, située sous l'auvent du moteur ou le couvercle d'accès.
- Relier la borne de masse du moteur à la terre du branchement d'alimentation électrique.

## MISE À LA MASSE (Fig. 5)

- La mise à la masse connecte l'ensemble des éléments métalliques autour de la piscine à l'aide d'un fil de mise à la masse en vue de ne constituer qu'un circuit ; dans le cas d'un court-circuit ou d'une mise à la terre, le courant ne circulera pas entre ces différents éléments. La mise à la masse n'est pas la même chose que la mise à la terre.
- La mise à la masse diminue le risque de recevoir une décharge de courant lorsqu'on touche les parties métalliques de la piscine.
- Respecter toutes les spécifications des codes d'électricité nationaux et locaux lors de la mise à la masse de piscines, bains tourbillon, etc...
- Les connexions pour la mise à la masse doivent se faire par soudure ou par serrage, avec collage à nu, de métal à métal.
- Installer et relier la pompe en suivant les règlements et les recommandations locales ; utiliser une cosse de raccordement sur le moteur. Utiliser un conducteur en cuivre plein n° 8, de calibre AWG (8.4 mm<sup>2</sup>), ou supérieur.
- Relier le fil de mise à la masse en cuivre plein n° 8, de calibre AWG (8.4 mm<sup>2</sup>), au connecteur serti sur le châssis du moteur et à toutes les parties métalliques de la piscine, du bain tourbillon, etc., à la tuyauterie ou à la canalisation métallique installée à moins de 1,5 m (5 pi) des parois internes de la piscine, bain tourbillon, etc...

## FONCTIONNEMENT



⚠ **NE JAMAIS faire fonctionner la pompe à sec ! Cela risquerait d'endommager l'étanchéité des joints, et de provoquer des fuites et des inondations ! Remplir la volute de la pompe et la crépine avec de l'eau avant de démarrer le moteur.**

⚠ **Ne pas verser de produits chimiques destinés à la piscine/bain tourbillon, directement devant le dispositif d'aspiration de la pompe. L'exposition aux produits chimiques non-dilués risque de provoquer des dégâts, ce qui annulerait les termes de la garantie.**

⚠ **Avant de déposer le couvercle de la crépine :**

1. ARRÊTER LA POMPE avant l'intervention.
2. FERMER LES ROBINETS-

VANNE dans les tuyaux d'aspiration et de refoulement.

3. LIBÉRER TOUTE LA PRESSION du circuit de canalisation et de la pompe.

⚠ **Lors d'un contrôle de pression sur la pompe, s'assurer que la pression a bien été relâchée avant de retirer le couvercle de la crépine.**

⚠ **N'OBSTRUER PAS LE DISPOSITIF D'ASPIRATION DE LA POMPE ! Tout contact avec la pompe risque de provoquer une blessure mortelle. Les jeunes enfants utilisant la piscine, doivent TOUJOURS être sous l'étroite surveillance d'un adulte !**

**REMARQUE :** Ne pas bloquer les jets de retour de la piscine ou du bain tourbillon qui risqueraient, alors, de déborder et d'endommager l'équipement et la zone environnante !

### AMORÇAGE DE LA POMPE

- Ouvrir les robinets-vanne avant de démarrer le système.
- Libérer tout l'air contenu dans le filtre et la canalisation. Se référer au manuel d'utilisation du filtre.
- Dans un système d'aspiration submergé (le niveau de la source d'eau est plus haut que le niveau de la pompe), l'amorçage de la pompe se produit de lui-même lorsque les robinets d'aspiration et de refoulement sont ouverts.
- Si la pompe installée ne fait pas partie d'un système d'aspiration submergé, dévisser et retirer le couvercle de la crépine ; remplir la crépine et la pompe d'eau.
- Nettoyer et lubrifier le joint torique du couvercle de la crépine avec du pétrolatum lors de chaque démontage.
- Nettoyer et inspecter le joint torique ; le réinstaller sur le couvercle de la crépine.
- Remettre en place le couvercle sur la crépine ; tourner dans le sens des aiguilles d'une montre pour le serrer.

**REMARQUE :** Serrer le couvercle de la crépine à la main uniquement (sans clé de serrage) ! Utiliser une clé, uniquement si c'est nécessaire, pour le démontage du couvercle.

- La pompe doit amorcer. Le temps d'amorçage est fonction de la longueur verticale du tirant d'aspiration et de la longueur horizontale du tuyau d'aspiration.
- Si la pompe n'amorce pas dans les dix minutes, arrêter le moteur et déterminer la cause de la défaillance. S'assurer que tous les robinets d'aspiration et de refoulement sont ouverts pendant le fonctionnement de la pompe. Voir le guide de Localisation des pannes.

### EAU DES PISCINES, BAINS TOURBILLON OU SPAS

- Maintenir le niveau d'eau à 5 cm (2 po) au-dessus de l'orifice du collecteur quand le système n'est pas en service. Sinon, l'air risque de pénétrer dans le système et d'entraîner ainsi la perte d'amorçage de la pompe.
- Maintenir la température de l'eau des bains/spas, égale ou inférieure à 40 °C (104 °F).
- En cas de doute, commencer par une température plus faible puis l'augmenter progressivement, selon votre expérience.
- Placer un thermomètre dans la piscine/bain. Vérifier la température affichée avant d'entrer dans l'eau.
- Maintenir la composition de l'eau de la piscine équilibrée. Le niveau du pH de l'eau doit être compris entre 7,2 et 7,6.
- Ne pas utiliser ou autoriser l'utilisation du bain/piscine par toute personne sous l'effet de l'alcool ou de drogues. Les effets de l'eau très chaude, combinés à l'absorption d'alcool et/ou de drogues, peuvent entraîner des étourdissements, la perte de conscience ou une attaque cardiaque.

## LOCALISATION DES PANNES

⚠ Seul un personnel qualifié est autorisé à tester l'installation électrique du moteur de la pompe.

⚠ **DÉBRANCHER L'ALIMENTATION DE COURANT DU MOTEUR AVANT D'INTERVENIR SUR LA POMPE. Fermer les robinets-vanne d'aspiration et de refoulement.**

### LA POMPE PERD SON AMORCE/FUITES AU NIVEAU DE L'ASPIRATION

1. Vérifier que le tuyau d'aspiration ne présente aucune fuite. L'étanchéité du couvercle de la crépine doit être hermétique.
2. Inspecter le joint torique sur le couvercle de la crépine pour vérifier l'absence d'entailles et d'encoches. Remplacer si nécessaire. Lubrifier avec du pétrolatum avant l'installation.
3. Vérifier que l'entrée du tuyau d'aspiration menant à la pompe est bien en dessous du niveau d'eau afin d'éviter l'aspiration d'air par la pompe.
4. Remplacer le joint du couvercle de la crépine d'aspiration si celui-ci est défectueux.
5. Une hauteur d'aspiration de 2,4 m à 3 m (8 à 10 pi) diminue le rendement. Une hauteur d'aspiration dépassant 3 m (10 pi) empêche le pompage et entraîne la perte d'amorçage de la pompe. Rapprocher la pompe (verticalement) de la source d'eau. Vérifier le calibre du tuyau d'aspiration.

### LA POMPE FONCTIONNE MAIS DÉBITE PEU D'EAU OU PAS DU TOUT

1. Contrôler et nettoyer la crépine d'aspiration, la roue motrice, les raccords ou les paniers de la crépine.
2. Vérifier et nettoyer le filtre de la piscine.
3. Rechercher la présence d'une roue motrice ou d'un diffuseur défectueux et remplacer la pièce.
4. S'assurer que les robinets-vanne sont ouverts à fond.
5. La tuyauterie d'aspiration est d'un calibre trop petit.
6. Type de tuyau incorrect : utiliser un tuyau à tête plus élevée.

### LE DISJONCTEUR SE DÉCLENCHE DE FAÇON RÉPÉTÉE

1. Le disjoncteur doit être de capacité adéquate.
2. Dans le cas d'un disjoncteur GFCl, contrôler le dispositif en fonction des recommandations du fabricant.
3. S'assurer qu'aucun autre appareil ou luminaire n'est branché sur le circuit.

### ENNUIS MÉCANIQUES/BRUITS

1. Vérifier que la fixation de la canalisation d'aspiration et de refoulement est bien assurée.
2. Monter la pompe sur une plate-forme en béton pour assurer la stabilité de la structure et un fonctionnement silencieux.
3. Fuite d'air dans le tuyau d'aspiration. Réparer la fuite et bien serrer le couvercle de la crépine.
4. Vérifier qu'aucun débris n'obstrue la roue motrice de la pompe. La dégager le cas échéant.
5. Cavitation :  
Éliminer l'étranglement du débit d'aspiration.  
Augmenter le calibre du tuyau.  
Réduire le nombre de raccords installés dans la tuyauterie d'aspiration.  
Augmenter la pression de refoulement.  
Réduire l'écoulement en étranglant le débit du robinet-vanne de refoulement.

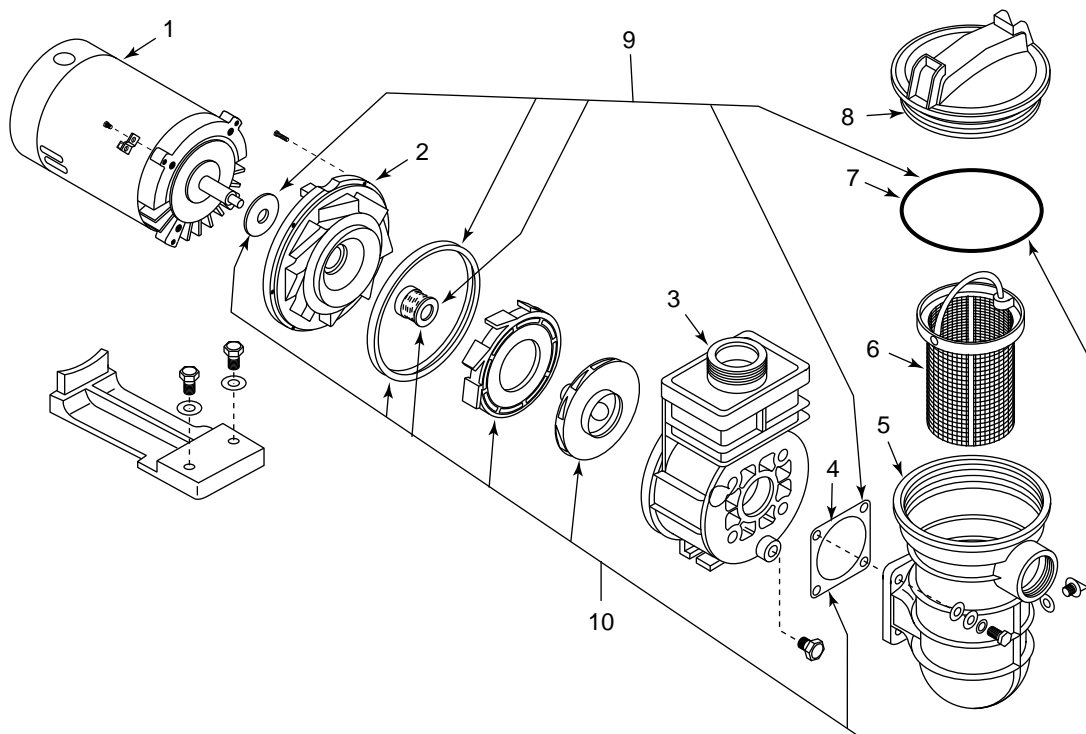
### INSTALLATION ÉLECTRIQUE

1. Le fonctionnement de la pompe est peut être trop lent ; vérifier la tension au niveau des bornes du moteur et du compteur tandis que la pompe fonctionne. Si la valeur relevée est faible, consulter les instructions de câblage ou contacter la compagnie d'électricité. Vérifier qu'aucun raccord n'est déconnecté.
2. La pompe chauffée peut être trop.
  - A. Vérifier la tension d'alimentation. Si la tension est inférieure à 90 % ou supérieure à 110 % de la tension calibrée, contacter la compagnie d'électricité.
  - B. Augmenter la puissance de ventilation.
  - C. Faire baisser la température ambiante.
  - D. Resserrer les raccords déconnectés.
3. Le protecteur entre les surcharges thermiques interne est ouvert. Le moteur fonctionne trop chaud. Couper le courant d'alimentation du moteur. Vérifier la tension. S'assurer que l'impulseur ne frotte pas.
4. Vérifier le fonctionnement du dispositif GFCl en suivant les recommandations du constructeur GFCl.
5. Consulter le distributeur/installateur ou le représentant du service après-vente.

FP6022-00 – 3/4 CV

FP6032-00 – 1 CV

FP6042-00 – 1-1/2 CV



1219 0894

### LISTE DES PIÈCES DE RECHANGE

Réf	Description	Qté utilisée	MODÈLE ET CV		
			FP6022-00 3/4 CV	FP6032-00 1 CV	FP6042-00 1-1/2 CV
1	Moteur 115/230V	1	A910DL	A910EL	A910FL
2	Plaque d'étanchéité	1	17140-0012	17140-0012	17140-0012
3	Corps du réservoir	1	C276-57P	C276-57P	C276-57P
4	Joint rigide	1	C20-123	C20-123	C20-123
5	Corps de la crépine	1	C153-53P1	C153-53P1	C153-53P1
6	Panier de la crépine	1	C108-33P	C108-33P	C108-33P
7	Joint torique du couvercle de la crépine	1	U9-229	U9-229	U9-229
8	Couvercle de la crépine	1	C3-139P1	C3-139P1	C3-139P1
9	Ensemble d'étanchéité*	1	FPP5006	FPP5006	FPP5006
10	Ensemble de révision #	1	FPP5005	FPP5004	FPP5003

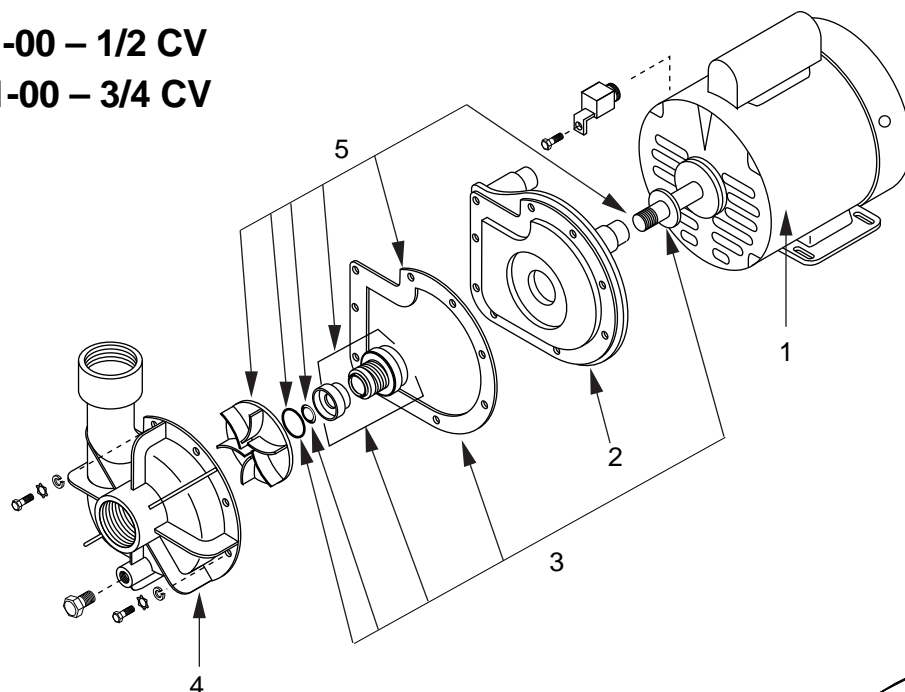
\* L'ensemble d'étanchéité comprend une élingue à eau, un joint rigide, un joint d'étanchéité de l'arbre, des cales.

# L'ensemble de révision comprend la pièce de réf. n° 9, roue motrice, et diffuseur.

Kits include assembly information.

**FP6111-00 – 1/2 CV**

**FP6121-00 – 3/4 CV**



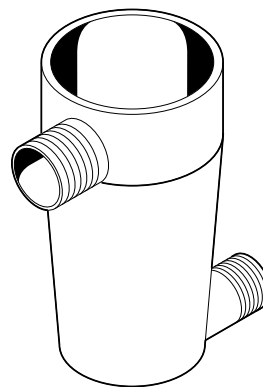
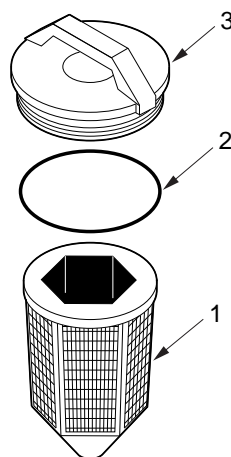
**LISTE DES PIÈCES DE RECHANGE**

Réf	Description	Qté utilisée	MODÈLE ET CV	
			FP6111-00 1/2 CV	FP6121-00 3/4 CV
1	Moteur – 60 cycles – 115 V	1	A800CL	A800DL
2	Plaque d'étanchéité	1	C1-84P2	C1-84P2
3	Ensemble d'étanchéité*	1	FPP1075	FPP1075
4	Volute	1	C101-247P	C101-247P
5	Ensemble de révision #	1	FPP1081	FPP1082
•	Raccord à insérer	1	U78-859PA	U78-859PA

\* L'ensemble d'étanchéité comprend une élingue à eau, un joint rigide, un joint d'étanchéité de l'arbre, des cales

# L'ensemble de révision comprend la pièce de réf. n° 3 et une roue motrice

• Non représenté



**LISTE DES PIÈCES DE RECHANGE – ENSEMBLA CRÉPINE**

Réf	Description	Qté utilisée	Pièce
••	Crépine – complète	1	16920-1001
1	Panier	1	C8-57P
2	Joint torique	1	U9-295
3	Couvercle	1	C3-174P

## ATTACHER LE REÇU D'ORIGINE ICI À DES FINS DE GARANTIE

## Garantie limitée Flotec

FLOTEC garantit à l'acheteur-utilisateur initial de ses produits ("Acheteur") contre tout défaut de fabrication et de matériaux.

Tout produit reconnu défectueux dans les douze (12) mois qui suivent la date d'achat d'origine sera remplacé ou réparé à la discrétion de FLOTEC, selon les conditions stipulées ci-dessous. La preuve d'achat est exigée pour déterminer l'admissibilité à la garantie.

**Exceptions à la garantie de douze (12) mois****Garantie de quatre-vingt-dix (90) jours :**

Si, dans les quatre-vingt-dix (90) jours à compter de la date d'achat par le consommateur d'origine, une pompe adaptable sur perceuse, une pompe d'amorçage ou une cartouche de filtre à eau en ligne s'avérait être défectueuse, elle sera remplacée, conformément aux conditions stipulées ci-dessous.

**Garantie de deux (2) ans :**

Si, dans les deux (2) ans à compter de la date d'achat par le consommateur d'origine, une pompe d'assèchement submersible de 1/3 ch ou modèle de FP2800DCC s'avérait être défectueuse, elle sera réparée ou remplacée, au choix de FLOTEC, conformément aux termes et conditions stipulés ci-dessous.

**Garantie de trois (3) ans :**

Si, dans les trois (3) ans à compter de la date d'achat par le consommateur d'origine, une pompe de puits submersible de 4 pouces ou une pompe d'assèchement submersible de 1/2 ch s'avérait être défectueuse, elle sera réparée ou remplacée, au choix de FLOTEC, conformément aux termes et conditions stipulés ci-dessous.

**Garantie de quatre (4) ans :**

Si, dans les quatre (4) ans à compter de la date d'achat par le consommateur d'origine, une pompe d'assèchement submersible FLOODMATE<sup>MD</sup> 7000 ou IRONMATE<sup>MD</sup> s'avérait être défectueuse, elle sera réparée ou remplacée, au choix de FLOTEC, conformément aux termes et conditions stipulés ci-dessous.

**Garantie de cinq (5) ans :**

Si, dans les cinq (5) ans à compter de la date d'achat par le consommateur d'origine, un réservoir de système d'eau préchargé s'avérait être défectueux, il sera réparé ou remplacé, au choix de FLOTEC, conformément aux termes et conditions stipulés ci-dessous.

**Conditions générales**

L'Acheteur s'engage à payer tous les frais de main-d'œuvre et d'expédition nécessaires au remplacement du produit couvert par la garantie. Cette garantie ne couvrira pas les cas de force majeure, et ne s'appliquera pas aux produits qui, du seul avis de FLOTEC, ont fait l'objet de négligence, d'utilisation abusive ou incorrecte, d'accident, de modification ou d'altération ; ni aux produits qui n'ont pas été installés, utilisés, entreposés ou entretenus correctement ; ni à ceux qui n'ont pas été utilisés ou entretenus normalement, y compris, mais sans s'y limiter, aux produits ayant des pannes de fonctionnement causées par la corrosion, la rouille ou autre corps étranger dans le système, ou à des produits ayant fonctionné à des pressions dépassant la limite maximale recommandée.

Les demandes de service en vertu de la présente garantie seront faites en retournant le produit défectueux au détaillant ou à FLOTEC dès la découverte de tout défaut allégué. FLOTEC prendra alors les mesures correctives aussi rapidement qu'il est raisonnablement possible. Aucune demande de service en vertu de la présente garantie ne sera acceptée si elle est reçue plus de 30 jours après l'expiration de la dite garantie.

La présente garantie énonce la totalité des obligations de FLOTEC et le seul recours possible de l'Acheteur dans le cas de produits défectueux.

FLOTEC NE SERA TENU RESPONSABLE D'AUCUN DOMMAGE INDIRECT, ACCIDENTEL OU FORTUIT QUEL QU'IL SOIT.

LES PRÉSENTES GARANTIES SONT EXCLUSIVES ET TIENNENT LIEU DE TOUTE AUTRE GARANTIE EXPRESSE. LES GARANTIES IMPLICITES, Y COMPRIS, MAIS SANS S'Y LIMITER, LES GARANTIES IMPLICITES AYANT TRAIT À LA COMMERCIALISABILITÉ ET À L'ADAPTATION À UN USAGE PARTICULIER, NE DÉPASSERONT PAS LA DURÉE DES GARANTIES EXPRESSES APPLICABLES STIPULÉES DANS LES PRÉSENTES.

Certaines provinces n'autorisent pas d'exclure ou de limiter les dommages fortuits ou indirects ou de limiter la durée d'une garantie implicite ; il se peut donc que les limitations ou exclusions ci-dessus ne s'appliquent pas à votre cas. La présente garantie vous donne des droits juridiques spécifiques et vous pouvez en avoir d'autres qui varient d'une province à l'autre.

FLOTEC • P.O. Box 342 • Delavan, WI U.S.A. 53115

Téléphone: 1-800-365-6832 • Télécopieur: 1-800-526-3757

Courrier électronique: [info@flotecwater.com](mailto:info@flotecwater.com) • Site Web: <http://www.flotecwater.com>



**SERIES FP6000 Y FP6100  
DE BOMBAS PARA PISCINAS**

Para evitar llamadas de reparaciones innecesarias, prevenir posibles lastimaduras y obtener el máximo rendimiento de su bomba y filtro, **LEA CUIDADOSAMENTE ESTE MANUAL.**

La Serie Flotec FP6000 de bombas centrífugas con cebado automático está diseñada para ser utilizada con sistemas de filtración o circulación para piscinas, spas, tinas calientes y sistemas solares construidos en el terreno.

La Serie Flotec FP6100 de bombas está diseñada para ser utilizada con sistemas de filtración o circulación para piscinas, spas, tinas calientes y sistemas solares armados sobre el terreno.

**Todos los modelos:**

- Están diseñados para eliminar la corrosión de las piezas durante el uso y mantenimiento normales de la piscina.
- Ofrecen rendimiento excelente en cuanto a durabilidad y fiabilidad, y vienen provistos con un impulsor a prueba de obstrucciones.

Para otras aplicaciones de la bomba, consulte al fabricante.

**ÍNDICE**

Instrucciones de Seguridad.....18  
 Instalación .....19  
 Sistema Eléctrico.....20  
 Operación .....21  
 Guía para la Solución de Problemas.....21  
 Lista de Piezas de Reparación .....22-23  
 Garantía .....24

**¡INFORMACIÓN GENERAL**

La bomba ha sido cuidadosamente montada, probada, inspeccionada y embalada en nuestra fábrica. Indique cualquier daño del producto en la boleta de entrega, y efectúe su reclamo inmediatamente al transportista o a la tienda donde fue comprada.

**INSTRUCCIONES  
IMPORTANTES  
DE SEGURIDAD**

Siempre cumpla las precauciones de seguridad básicas que se indican para este equipo, incluyendo las siguientes:

**▲ ADVERTENCIA** A fin de reducir el riesgo de sufrir lesiones, no permita que los niños usen este producto, a menos que sean estrictamente supervisados en todo momento.

**▲ CUIDADO** Esta bomba es para su uso en piscinas instaladas permanentemente y también puede utilizarse en tinas de aguas calientes y spas, si es que así se ha indicado. No usar en piscinas portátiles. Una piscina permanente se encuentra construida en o sobre el suelo o en una estructura tal que no pueda ser desmontada para ser almacenada. Una piscina portátil está construida de modo que pueda ser fácilmente demontada para su almacenamiento y nuevamente armada para su uso original.

**CONSERVE  
ESTAS  
INSTRUCCIONES**

**¡ LEA Y SIGA TODAS  
LAS INSTRUCCIONES!**

**▲** Este símbolo es una señal de alerta. Cuando vea este símbolo en su equipo o en este manual, busque alguna de las advertencias que se indican a continuación y manténgase alerta pues ellas indican que existe la posibilidad de sufrir una lesión personal.

**▲ PELIGRO** Este símbolo advierte acerca de riesgos que si son ignorados **causarán** lesiones personales graves, muerte o daños materiales.

**▲ ADVERTENCIA** Este símbolo advierte acerca de riesgos que si son ignorados **pueden causar** lesiones personales graves, la muerte o daños materiales.

**▲ CUIDADO** Este símbolo advierte acerca de riesgos que si son ignorados **causarán** o **podrán causar** lesiones personales leves o daños materiales.

**AVISO** Estan palabra indica instrucciones especiales importantes pero que no constituyen riesgos.

**Lea y siga cuidadosamente todas las instrucciones de seguridad indicadas en este manual y en el equipo.** Mantenga en buen estado las etiquetas de seguridad; reemplace aquellas que falten o que estén dañadas.

**▲ ADVERTENCIA** **El equipo que es instalado o probado de manera incorrecta puede fallar, causando lesiones personales graves o daños materiales.** Lea y siga las instrucciones indicadas en el manual del usuario cuando instale y haga funcionar el equipo. Recurra a un profesional de piscinas para que efectúe las pruebas de presión.

1. No conecte el sistema a un sistema de agua municipal o de alta presión.
2. Use este equipo solamente en una piscina o una instalación de spa.
3. El aire atrapado en el sistema puede causar una explosión. **ASEGURESE** de que haya salido todo el aire del sistema antes de hacer funcionar o probar el equipo.

**Antes de efectuar las pruebas de presión, realice las siguientes revisiones de seguridad:**

- Revise todas las abrazaderas, pernos, tapas y accesorios del sistema antes de la prueba.
- Alivie todo el aire del sistema antes de efectuar las pruebas.
- Apriete todas las tapas Flotec a una torsión de 4,1 kg/cm (30 libra/pié) para efectuar las pruebas.
- La presión del agua para efectuar las pruebas debe ser inferior a 172 kPa (25 lbs/pulg.<sup>2</sup>).
- La temperatura del agua para efectuar las pruebas debe ser inferior a 38°C (100°F).
- La prueba debe limitarse a 24 horas. Después de la prueba, revise visualmente el sistema para asegurarse de que está listo para ser puesto en funcionamiento. Saque la tapa y vuelva a apretarla a mano solamente

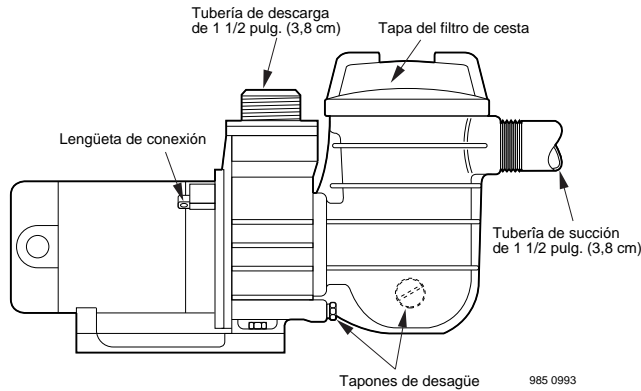
**AVISO** Estos parámetros son válidos para equipos Flotec solamente. Para equipos que no sean Flotec, consulte al fabricante correspondiente.

**INSTALACION (FIGS. 2 Y 3)**

Para la Serie FP6000, ubique la bomba tan cerca como sea posible de la piscina (no más de 8 pies (2,44 m) por encima del nivel de agua de la piscina).

Para la Serie FP6100, la bomba debe estar instalada por debajo del nivel de agua. Instale el sifón dentro del puerto de succión de la bomba, haciendo girar el sifón en el sentido de las agujas del reloj, en la rosca del puerto de succión. Aplique cinta de teflón sobre la rosca del puerto de succión antes de enroscar. El sifón debe estar en posición vertical cuando quede completamente montado. Asegúrese de que el sifón esté correctamente enroscado en la bomba para evitar filtraciones de agua.

Para facilitar la remoción de la bomba/motor, instale las uniones de las tuberías tanto en la tubería de succión como en la de descarga, cerca de la bomba.



**Figura 1 – Bomba de la Serie FP6000**

**LA MONTURA DE LA BOMBA DEBE:**

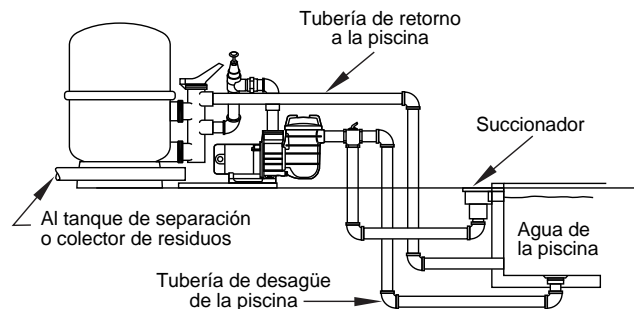
- Estar sólida y rígidamente nivelada, y estar libre de vibraciones. (Para reducir las vibraciones y la presión sobre las tuberías, atornille la bomba a la montura.)
- Permitir el uso de un tubo de succión corto y directo (para reducir pérdidas ocasionadas por la fricción).
- Tener espacio para las válvulas de compuerta en las tuberías de succión y descarga.
- Tener un drenaje adecuado en el piso para impedir inundaciones.
- Proteja contra exceso de humedad y exposición directa al aire salado.
- Permita ventilación para el motor con enfriamiento por aire.
- Permitir el acceso adecuado para el mantenimiento de la bomba y las tuberías.

**AVISO: Utilice cinta de teflón o masilla para juntas para hacer todas las conexiones a rosca de la bomba. No utilice lubricantes para tuberías; causará grietas en la bomba.**

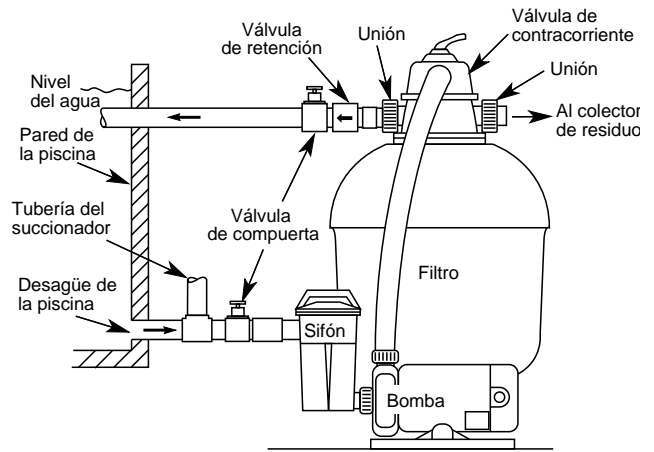
**AVISO: Las conexiones de succión y descarga tienen topes a rosca moldeados. NO intente enroscar la tubería más allá de estos topes.** Ajuste las conexiones de la bomba/sifón tal como se requiere para asegurar una conexión apretada (1 1/2 vueltas después de enroscada a mano). No apriete demasiado. Tenga cuidado al emplear la cinta de teflón, dado que reduce considerablemente la fricción; no apriete demasiado las conexiones ya que pueden dañarse.

**INSTRUCCIONES PARA EL ENCINTADO CON TEFLÓN:**

- Use únicamente conexiones para tuberías PVC, nuevas o limpias.
- Envuelva las roscas del tubo macho con 1 o 2 capas de cinta de teflón, enrollando la cinta en la dirección de las agujas del reloj mirando hacia el comienzo de la rosca macho. Cubra toda la porción roscada del tubo.



**Figura 2 – Instalación típica de una piscina construida**

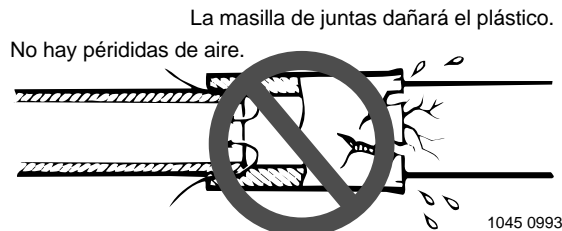


**Figura 3 – Instalación típica de una piscina montable**

- **NO APRIETE DEMASIADO** ni sobrepase el tope de la rosca en el puerto de la bomba.
- Si se producen filtraciones de agua, retire el tubo, quite la cinta vieja, vuelva a recubrir con una o dos capas adicionales de cinta y vuelva a hacer la conexión.
- **AVISO:** Asegúrese de que todas las tuberías conectadas a la bomba tengan el soporte adecuado.

**ENTUBADO**

- Para la descarga de la bomba:  
FP6000 – utilice tubos PVC de 1 1/2 pulg. (3,8 cm) o manguera reforzada  
FP6100 – utilice tubos PVC de 1 1/4 pulg. (3,1 cm) o manguera reforzada
- Para la succión de la bomba, en todos los modelos, utilice manguera reforzada de 1 1/2 pulg. (3,8 cm)
- Si fuera necesario hacer un tendido de tubería largo, incremente el tamaño. Para tubos más grandes que el puerto, utilice ajustes reductores en el puerto del sifón.
- Para evitar esfuerzos a la bomba, coloque soportes para las tuberías de succión y descarga separadamente. Ubique los soportes cerca de la bomba.
- Para evitar esfuerzos ocasionados por medidas mal calculadas en la instalación de la tubería, comience el entubado a partir de la bomba.
- Nunca utilice tubos de succión menores que las conexiones de succión de la bomba.
- No permita fugas de aire de la tubería. Mantenga la tubería recta. La entrada de la tubería de succión debe estar por debajo del puerto de entrada de la bomba. (Fig. 4)



**Figura 4: El tubo de aspiración no debe permitir penetración de aire ni fugas de agua.**

**AVISO:** Para evitar inundaciones al retirar la bomba para su mantenimiento, todos los sistemas de succión inundados deben tener válvulas de compuerta en las tuberías de succión y descarga.

- Utilice juntas de expansión o tuberías flexibles. (Las tuberías plásticas se expandirán y contraerán con el cambio de temperatura.)

**AJUSTES DE MONTAJE**

- Los ajustes de montaje restringen el flujo de agua. Use la menor cantidad posible.
- Evite ajustes de montaje que puedan causar entradas de aire.
- Los ajustes de montaje para piscinas y spas deben ajustarse a las normas de la Asociación Internacional de Plomeros (Fontaneros) y Oficiales Mecánicos (IAPMO).
- Utilice ajustes de succión no oclusores o de succión doble (succionador y desagüe principal) en la piscina.

**SISTEMA ELÉCTRICO**

**⚠ ADVERTENCIA**



**Voltaje peligroso. Puede causar choque eléctrico, que maduras, o la muerte.**

Conecte la bomba a tierra antes de conectarla a la fuente de energía eléctrica.

**⚠ Conecte el motor a tierra antes de conectarlo a la fuente de energía eléctrica. No hacerlo puede ocasionar peligro grave o fatal de choque eléctrico.**

**⚠ No haga la conexión a tierra a una tubería de gas.**

**⚠ Para evitar choques eléctricos peligrosos o fatales DESCONECTE la electricidad que va al motor antes de efectuar conexiones eléctricas.**

**⚠ El disparo del interruptor de circuito por fallas de puesta a tierra (GFCI) indica la existencia de problemas eléctricos. Si se dispara el GFCI y no puede volverse a conectar, llame a un electricista para que inspeccione y repare el sistema eléctrico.**

**⚠ ¡PELIGRO DE INCENDIO! Equipare el voltaje de ali-**

mentación con el voltaje indicado en la placa del motor.

**CABLEADO**

- La bomba debe estar conectada de manera permanente al circuito. La Tabla I indica los calibres correctos de los disyuntores y alambres para la bomba solamente. Si hay otras luces o artefactos en el mismo circuito, asegúrese de agregar sus cargas en amperes a la carga en amperes de la bomba antes de seleccionar el calibre de los cables o de los disyuntores. (Si tiene dudas o si no entiende como hacerlo, consulte a un electricista profesional). Use el disyuntor de carga como el interruptor maestro de puesta en marcha/parada.
- Instale un interruptor accionado por corriente de pérdida a tierra en el circuito; detectará un cortocircuito a tierra y desconectará la corriente antes de que constituya un peligro para los bañistas. Para determinar la capacidad y los procedimientos de prueba del interruptor, consulte las instrucciones del fabricante.
- En caso de falla de la corriente, verifique si el interruptor accionado por corriente de pérdida a tierra no se haya disparado (lo cual impediría el funcionamiento normal de la bomba). Vuelva a reposicionarlo, si es necesario.
- **AVISO:** Si no utiliza un conducto en el cableado del motor, **asegúrese** de sellar la abertura del cable en el extremo del motor para evitar que penetre suciedad, insectos, etc.

• En todos los modelos use cable capaz de soportar hasta 75°C.

**VOLTAJE**

- El voltaje en el motor no debe ser superior o inferior al 10% del voltaje indicado en la chapa del motor, o el motor puede recalentarse, causando desconexiones por sobrecarga y reduciendo la vida de los componentes. Si el voltaje es inferior al 90% o superior al 110% del voltaje indicado cuando el motor funciona a carga completa, consulte a la compañía eléctrica.

**IMPORTANTE:** Asegúrese de que la apertura de la línea al final del motor esté sellada cuando no se utiliza el conducto portacables. Si no se la sella pueden entrar residuos en el compartimento trasero del motor a través de la apertura del conducto y causar defectos en el interruptor.

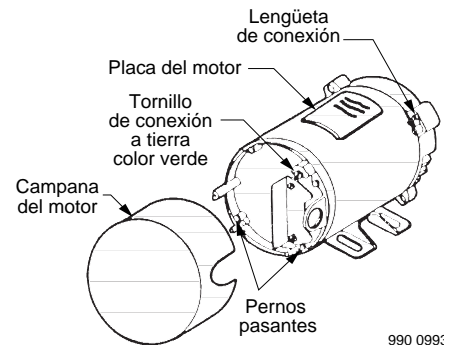
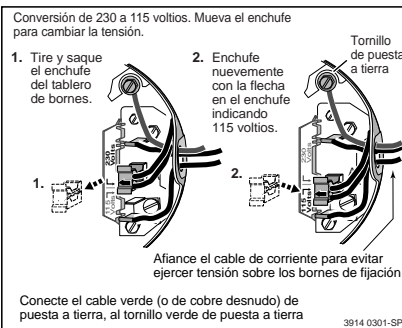
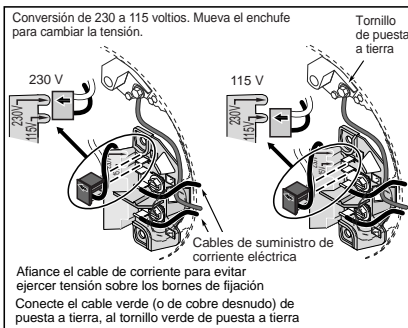
**⚠ Los valores en la Tabla I son para el MOTOR DE LA BOMBA SOLAMENTE. Si se instalan accesorios adicionales en el circuito del motor de la bomba (calentador, ventilador, etc.) incluya el amperaje para calcular los tamaños del cable e interruptor de circuito.**

**CONEXIÓN A TIERRA (Fig. 5)**

- Conecte permanente el motor a tierra; utilice el tamaño y clase de cable exigido por el código.
- La conexión a tierra debe hacerse al tornillo de conexión a tierra color verde ubicado debajo de la campana del motor o placa de acceso.
- Conecte el terminal de conexión a tierra del motor a la toma eléctrica de tierra.

**EMPALME (Fig. 5)**

- El “empalme” conecta todas las piezas metálicas alrededor de una piscina con un ‘cable de empalme’ para formar una unidad. En caso de cortocircuito o descarga a tierra, no habrá flujo de corriente eléctrica entre ellas. Este empalme no es igual a la conexión a tierra.
- El “empalme” reduce las posibilidades de recibir un choque eléctrico de las piezas metálicas de la estructura de la piscina.
- Observe todos los requisitos de los códigos locales y nacionales para hacer el empalme de piscinas, spas, tinas calientes, etc.
- Haga todas las conexiones de empalme como meras conexiones de metal con metal mediante grapas o soldadura.
- Instale y empalme la bomba según los códigos y ordenanzas locales; utilice la lengüeta de conexión del motor. Utilice cable conductor sólido de cobre No. 8 AWG (8.4 mm<sup>2</sup>) o mayor.
- Conecte el cable conductor sólido de cobre No. 8 AWG (8.4 mm<sup>2</sup>) con el conector de cable a presión en la caja del motor y con todas las piezas metálicas de la piscina, spa, etc., y la tubería metálica o conducto portacables a una distancia a un máximo de 5 pies (1,5 m) de las paredes internas de la piscina, spa, etc.



**NOTA:** Todos los modelos viene cableados de fábrica para 230 voltios. Para convertir el motor a una operación de 110 voltios, compare la parte posterior del motor con un diagrama de 115 voltios.

**Figura 5 – Ubicación típica del tornillo de conexión a tierra y la lengüeta de conexión.**

**TABLA I – TABLA DE CABLEADO – DATOS DE CABLEADO Y FUSIBLES RECOMENDADOS**

MODELO DE BOMBA	HP	VOLTAJE	CARGA MÁXIMA AMPS	CAPACIDAD DEL FUSIBLE DEL RAMAL AMPS*	DISTANCIA EN PIES (DE LA TOMA ELÉCTRICA AL MOTOR)		
					0-100' (0-30m)	101-200' (31-61m)	201-300' (61-91m)
FP6022	3/4	115	10.2	15	14 (2mm <sup>2</sup> )	10 (5.5mm <sup>2</sup> )	8 (8.4mm <sup>2</sup> )
		230	5.1	15	14 (2mm <sup>2</sup> )	14 (2mm <sup>2</sup> )	14 (2mm <sup>2</sup> )
FP6032	1	115	12.6	20	12 (3mm <sup>2</sup> )	10 (5.5mm <sup>2</sup> )	8 (8.4mm <sup>2</sup> )
		230	6.3	15	14 (2mm <sup>2</sup> )	14 (2mm <sup>2</sup> )	14 (2mm <sup>2</sup> )
FP6042	1-1/2	115	16	20	12 (3mm <sup>2</sup> )	8 (8.4mm <sup>2</sup> )	6 (13mm <sup>2</sup> )
		230	8	15	14 (2mm <sup>2</sup> )	14 (2mm <sup>2</sup> )	12 (3mm <sup>2</sup> )
FP6111	1/2	115	8.4	15	14 (2mm <sup>2</sup> )	12 (3mm <sup>2</sup> )	10 (5.5mm <sup>2</sup> )
FP6121	3/4	115	11.4	15	14 (2mm <sup>2</sup> )	10 (5.5mm <sup>2</sup> )	8 (8.4mm <sup>2</sup> )

} AWG (mm<sup>2</sup>)

Todas las bombas son de 60 ciclos/monofásicas.

\* Se recomienda utilizar fusibles con retardo en lugar de fusibles estándar en el circuito del motor.

## OPERACION



**⚠ ¡NUNCA haga funcionar la bomba en seco! Hacerlo puede dañar los sellos, produciendo filtraciones e inundaciones. Llene la voluta y el sifón de la bomba con agua antes de encender el motor.**

**⚠ No agregue productos químicos a la piscina/spa directamente frente a la boca de succión de la bomba. Verter productos químicos no diluidos puede dañar la bomba anular su garantía.**

**⚠ Antes de retirar la cobertura del filtro:**

1. APAGUE LA BOMBA antes de continuar.

2. CIERRE LAS VÁLVULAS DE COMPUERTA en las tuberías de succión y descarga.

3. LIBERE TODA LA PRESIÓN de la bomba y el sistema de tuberías.

**⚠** Si está verificando la presión de la bomba, asegúrese de que se haya liberado la presión antes de retirar la tapa del sifón.

**⚠ ¡NO BLOQUEE LA BOCA DE SUCCIÓN DE LA BOMBA! Hacerlo, puede causar heridas fatales. Los niños pequeños que utilicen la piscina deben estar SIEMPRE bajo la vigilancia de adultos.**

**AVISO: ¡No bloquee la tubería de retorno de la piscina o los chorros del spa! Hacerlo puede causar inundaciones y daños al equipo y área circundante.**

### CEBADO DE LA BOMBA

- Abra las válvulas de compuerta antes de encender el sistema.
- Libere todo el aire contenido en el filtro y sistema de tuberías. Consulte el manual del filtro.
- En un sistema de succión inundado (la fuente de agua está más elevada que la bomba), la bomba se cebará automáticamente cuando las válvulas de succión y descarga estén abiertas.
- Si la bomba no está en un sistema de succión inundado, desensrosque y retire la tapa del sifón: llene el sifón y la bomba con agua.
- Limpie y lubrique el arosello de la tapa del sifón con vaselina, cada vez que lo retire.
- Limpie e inspeccione el arosello; reinstálelo en la tapa del sifón.
- Vuelva a colocar la tapa del sifón; hágala girar en el sentido de las agujas del reloj para apretarla.

**AVISO:** Apriete la tapa del sifón a mano solamente (no utilice herramientas). Sólo utilice una llave si fuera necesario para remover la tapa.

- La bomba deberá estar cebada. El tiempo necesario dependerá del largo vertical de la tubería de succión y del largo horizontal de la tubería de succión.
- Si la bomba no se ceba en diez minutos, apague el motor y determine la causa. Asegúrese de que todas las válvulas de succión y descarga estén abiertas cuando la bomba esté en funcionamiento. Vea la Guía para la Solución de Problemas.

### AGUA DE LA PISCINA, SPA O TINA

- Mantenga el nivel del agua a 2 pulg. (5 cm) por encima del fondo de la apertura del succionador cuando el sistema no esté en uso. No hacerlo puede permitir la entrada de aire en el sistema, impidiendo que se ceba el motor.
- Mantenga la temperatura del agua a 104°F (40°C) o menos, en los spas/tinas.
- Si no estuviera seguro, comience a una temperatura inferior y aumentela según su experiencia.
- Mantenga un termómetro en la piscina/spa. Verifique la temperatura antes de entrar.
- Mantenga el agua de la piscina balanceada. Mantenga el Ph del agua entre 7,2 y 7,6.
- No utilice ni permita el uso de la piscina/spa por parte de alguien bajo el efecto del alcohol o drogas. Los efectos del agua caliente, alcohol y/o drogas pueden ocasionar mareos, pérdida de conocimiento o ataques cardíacos.

## GUÍA PARA LA SOLUCIÓN DE PROBLEMAS

**⚠** Sólo el personal calificado debe revisar la instalación eléctrica del motor de la bomba.

**⚠ DESCONECTE LA ENERGÍA ELÉCTRICA QUE VA AL MOTOR ANTES DE EFECTUAR TRABAJOS EN LA BOMBA.** Cierre las válvulas de compuerta de succión y descarga.

### LA BOMBA NO SE CEBARÁ/HAY FILTRACIONES EN EL SISTEMA DE SUCCIÓN

1. Asegúrese de que no haya filtraciones en la tubería de succión. La tapa del sifón debe impedir el paso de aire.
2. Revise el arosello del sifón para verificar que no tiene cortes o mellas. Reemplácelo de ser necesario. Lubríquelo con vaselina antes de instalarlo.
3. Asegúrese de que la entrada de la tubería de succión esté bien por debajo del nivel del agua para impedir que la bomba absorba aire.
4. Reemplace la junta del sifón de succión si está en mal estado.
5. Una altura de la tubería de succión de 8 a 10 pies (2,4 a 3 m) reducirá el rendimiento. Cualquier altura de más de 10 pies (3 m) impedirá el funcionamiento de la bomba y su cebado. Coloque la bomba más cerca (verticalmente) de la fuente de agua. Verifique el tamaño de la tubería de succión.

### LA BOMBA FUNCIONA Y ENTREGA POCO O NADA DE AGUA

1. Inspeccione y limpie el sifón de succión, impulsor, ajustes de montaje, o filtro del sifón.
2. Inspeccione y limpie el filtro de la piscina.
3. Verifique si el impulsor o difusor están gastados y, en ese caso, reemplácelos.
4. Asegúrese de que las válvulas de compuerta estén completamente abiertas.
5. La tubería de succión es muy pequeña.
6. Tubería incorrecta – Es necesaria una mayor caída es necesaria.

### EL INTERRUPTOR DE CIRCUITO SE DISPARA REPETIDAMENTE

1. El interruptor debe tener la capacidad adecuada.
2. Para un interruptor GFCI, pruébelo según las instrucciones del fabricante.
3. Asegúrese de que no haya otros artefactos o luces en el circuito.

### PROBLEMAS MECÁNICOS /RUIDOS

1. Asegúrese de que las tuberías de succión y descarga tengan soportes.
2. Monte la bomba y ajústela sobre una plataforma de concreto para que el funcionamiento sea más silencioso.
3. Fuga de aire en la tubería de succión. Repare la fuga y apriete la tapa del sifón.
4. Verifique que no haya desperdicios en el impulsor de la bomba. Retire cualquier desperdicio.
5. Cavitación  
Remueva las restricciones al flujo de succión.  
Aumente el tamaño de la tubería.  
Disminuya la cantidad de ajustes de montaje en la tubería de succión.  
Aumente la presión de descarga.  
Reduzca el flujo obturando la válvula de compuerta de la descarga.

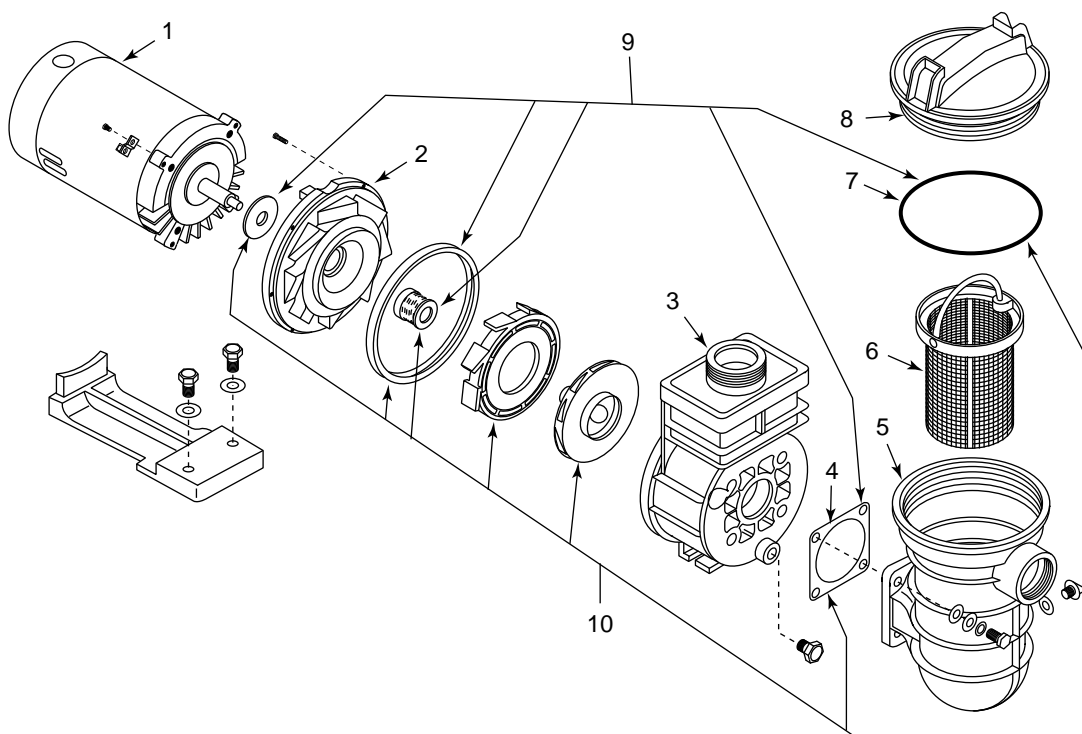
### PROBLEMAS ELÉCTRICOS

1. La bomba puede estar funcionando muy lentamente; verifique el voltaje en las terminales del motor y en el medidor mientras funciona la bomba. Si es bajo, consulte las instrucciones para el cableado o a la compañía eléctrica. Verifique que no haya conexiones sueltas.
2. La bomba puede estar demasiado caliente.
  - A. Inspeccione el voltaje de la línea. Si es menor al 90% o superior al 110% del voltaje indicado, consulte a un electricista matriculado.
  - B. Aumente la ventilación.
  - C. Reduzca la temperatura ambiente.
  - D. Ajuste cualquier conexión suelta.
3. El protector interno de sobrecarga térmica del motor está abierto. El motor funciona demasiado caliente. Apague el motor. Verifique que la tensión sea la correcta. Verifique que no haya fricción en el impulsor.
4. Inspeccione el GFCI para ver si funciona correctamente de acuerdo con las instrucciones del fabricante.
5. Consulte al vendedor/instalador o a un agente de la compañía.

**FP6022-00 – 3/4 HP**

**FP6032-00 – 1 HP**

**FP6042-00 – 1-1/2 HP**



1219 0894

**LISTA DE PIEZAS DE REPUESTO**

Clave Nº	Descripción	Cantidad usada	MODELO Y HP		
			FP6022-00 3/4 HP	FP6032-00 1 HP	FP6042-00 1-1/2 HP
1	Motor 115/230V	1	A910DL	A910EL	A910FL
2	Placa de sellado	1	17140-0012	17140-0012	17140-0012
3	Cuerpo del tanque	1	C276-57P	C276-57P	C276-57P
4	Junta	1	C20-123	C20-123	C20-123
5	Cuerpo del sifón	1	C153-53P1	C153-53P1	C153-53P1
6	Filtro de cesta del sifón	1	C108-33P	C108-33P	C108-33P
7	Arosello de la tapa del sifón	1	U9-229	U9-229	U9-229
8	Tapa del sifón	1	C3-139P1	C3-139P1	C3-139P1
9	Kit de Junta y Sello*	1	FPP5006	FPP5006	FPP5006
10	Kit de Arreglo General #	1	FPP5005	FPP5004	FPP5003

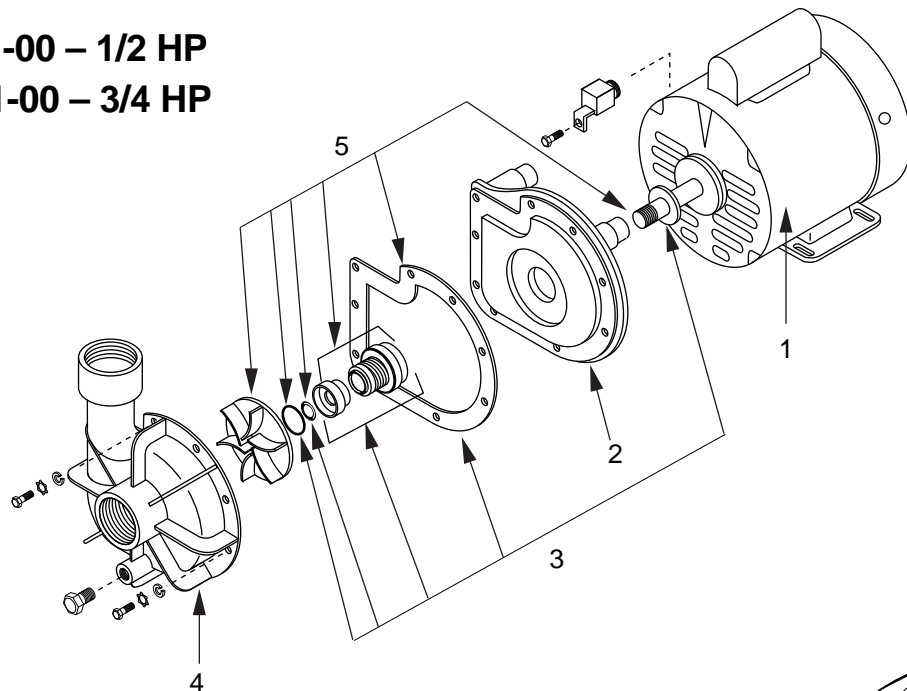
\* El Kit de Junta y Sello incluye el anillo tapagota, junta, sello del eje y calces.

# El Kit de Arreglo General incluye el Kit de Junta y Sello, el impulsor, y difusor.

Kits include assembly information.

**FP6111-00 – 1/2 HP**

**FP6121-00 – 3/4 HP**



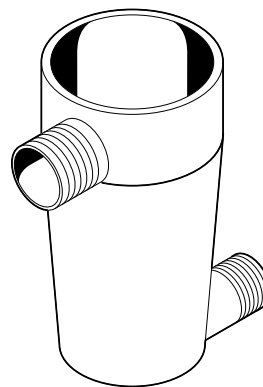
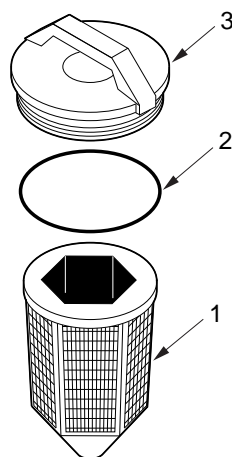
**LISTA DE PIEZAS DE REPUESTO**

Clave Nº	Descripción	Cantidad usada	MODELO Y HP	
			FP6111-00 1/2 HP	FP6121-00 3/4 HP
1	Motor de 60 ciclos - 115V	1	A800CL	A800DL
2	Placa de sellado	1	C1-84P2	C1-84P2
3	Kit de Junta y Sello*	1	FPP1075	FPP1075
4	Voluta	1	C101-247P	C101-247P
5	Kit de Arreglo General #	1	FPP1081	FPP1082
•	Ajuste de inserción	1	U78-859PA	U78-859PA

\* El Kit de Junta y Sello incluye el anillo tapagota, junta, sello del eje y calces

# El Kit de Arreglo General incluye el Kit de Junta y Sello y el impulsor.

• No ilustrado



**LISTA DE PIEZAS DE REPUESTO -  
MONTAJE DEL SIFÓN**

Clave Nº	Descripción	Cantidad utilizada	Pieza Nº
••	Sifón Completo	1	16920-1001
1	Filtro de cesta	1	C8-57P
2	Arosello	1	U9-295
3	Tapa	1	C3-174P

**ADHIERA AQUÍ EL RECIBO ORIGINAL PARA VALIDACION DE GARANTÍA**

**Garantía Limitada de Flotec**

FLOTEC garantiza al comprador consumidor original ("Comprador") de sus productos, que éstos se encuentran libres de defectos de material o mano de obra.

Si dentro de los doce (12) meses de la fecha original de la compra cualquiera de los productos demostrara estar defectuoso, el mismo será reparado o reemplazado, a opción de FLOTEC con sujeción a los términos y condiciones expuestos a continuación. Se requiere su recibo original de compra para determinar si se encuentra bajo garantía.

**Excepciones a la Garantía por Doce (12) Meses**

**Garantía de noventa (90) días**

Si se comprueba que una Bomba de Perforación, una Bomba de Émbolo Buzo o un Cartucho de Filtro de Agua en línea, tienen defectos, dentro de los noventa (90) días a partir de la compra del consumidor original, éstos serán reemplazados, sujeto a las condiciones indicadas a continuación.

**Garantía de dos (2) años**

Si se comprueba que una Bomba Sumergible de Sumidero de 1/3 CV o Modelo FP2800DCC tiene defectos, dentro de los dos (2) años a partir de la compra del consumidor original, ésta será reparada o reemplazada, a opción de FLOTEC, sujeto a los términos y a las condiciones indicadas a continuación.

**Garantía de tres (3) años**

Si se comprueba que una Bomba Sumergible de Pozo de 4", o una Bomba Sumergible de Sumidero de 1/2 CV tienen defectos, dentro de los tres (3) años a partir de la compra del consumidor original, éstas serán reparadas o reemplazadas, a opción de FLOTEC, sujeto a los términos y a las condiciones indicadas a continuación.

**Garantía de cuatro (4) años**

Si se comprueba que una Bomba Sumergible de Sumidero FLOODMATE<sup>MR</sup> 7000 o IRONMATE<sup>MR</sup> tiene defectos, dentro de los cuatro (4) años a partir de la compra del consumidor original, ésta será reparada o reemplazada, a opción de FLOTEC, sujeto a los términos y a las condiciones indicadas a continuación.

**Garantía de cinco (5) años**

Si se comprueba que un tanque precargado del sistema de agua tiene defectos, dentro de los cinco (5) años a partir de la compra del consumidor original, éste será reparado o reemplazado, a opción de FLOTEC, sujeto a los términos y a las condiciones indicadas a continuación.

**Términos y Condiciones Generales**

El comprador debe pagar todos los gastos de mano de obra y transporte necesarios para reemplazar el producto cubierto por esta garantía. Esta garantía no se aplicará a hechos de fuerza mayor, ni se aplicará a los productos que, a juicio exclusivo de FLOTEC, hayan sido objeto de negligencia, abuso, accidente, aplicaciones contraindicadas, manejo indebido, alteraciones; ni debido a instalación, funcionamiento, mantenimiento o almacenaje incorrectos; ni a ninguna otra cosa que no sea su aplicación, uso o servicio normales, incluyendo, pero no limitado a, fallas operacionales causadas por corrosión, oxidación u otros elementos extraños en el sistema, o funcionamiento a presión por encima del máximo recomendado.

Los pedidos de servicio bajo los términos de esta garantía serán efectuados mediante la devolución del producto defectuoso al Vendedor o a FLOTEC, tan pronto como sea posible, después de localizado cualquier supuesto defecto. FLOTEC tomará luego acción correctiva, tan pronto como sea razonablemente posible. Ningún pedido de servicio bajo esta garantía será aceptado si se recibe más de 30 días después del término de la garantía.

Esta garantía establece la obligación única de FLOTEC y el remedio exclusivo del comprador en el caso de productos defectuosos.

FLOTEC NO SERÁ RESPONSABLE POR NINGÚN DAÑO CONSECUENTE, INCIDENTAL O CONTINGENTE DE NINGUNA NATURALEZA.

LAS GARANTÍAS ANTERIORES SON EXCLUSIVAS Y REEMPLAZAN CUALQUIERA OTRAS GARANTÍAS EXPRESAS. LAS GARANTÍAS IMPLÍCITAS, INCLUYENDO, PERO NO LIMITADAS A, LAS GARANTÍAS IMPLÍCITAS DE COMERCIABILIDAD Y APTITUD PARA UN PROPÓSITO EN PARTICULAR, NO DEBERÁN EXCEDER EL PERÍODO DE DURACIÓN DE LAS GARANTÍAS EXPRESAS APLICABLES AQUÍ PROVISTAS.

Algunos estados no permiten la exclusión o limitación de daños incidentales o consecuentes ni las limitaciones respecto a la duración de garantías implícitas; de modo que las limitaciones o exclusiones precedentes pueden no aplicarse en su caso. Esta garantía le concede derechos legales específicos. Usted puede tener, además, otros derechos que varían de un estado a otro.

FLOTEC • P.O. Box 342 • Delavan, WI U.S.A. 53115

Teléfono: 1-800-365-6832 • Fax: 1-800-526-3757

e-Mail (correo electrónico): [info@flotecwater.com](mailto:info@flotecwater.com) • Dirección web: <http://www.flotecwater.com>