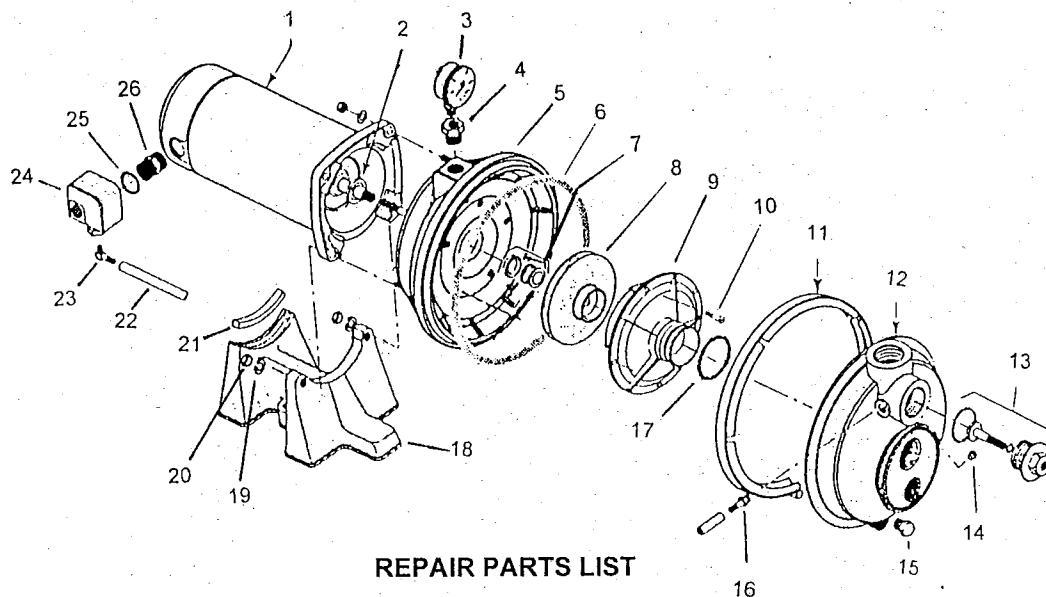


# CORROSION-RESISTANT CONVERTIBLE JET

FP4300 SERIES - 1/2 THRU 1 HP



## REPAIR PARTS LIST

Key No.	Part Description	No. Used	MODEL AND HORSEPOWER			
			FP4301-01(L) 1/3 HP	FP4312-01(L) 1/2 HP	FP4322-01(L) 3/4 HP	FP4332-01(L) 1 HP
1	Motor	1	A100CLL	A100CLL	A100DLL	A100ELL
2	Water Slinger	1	C69-2	C69-2	C69-2	C69-2
3	Pressure Gauge	1	TC2104	TC2104	TC2104	TC2104
4	Reducer Bushing 1/2"x1/8"	1	U78-107PT	U78-107PT	U78-107PT	U78-107PT
5	Pump Body (Back Half)	1	L176-47P	L176-47P	L176-47P	L176-47P
6	O-Ring	1	U9-399	U9-399	U9-399	U9-399
7	Shaft Seal	1	U109-93SS	U109-93SS	U109-93SS	U109-93SS
8	Impeller	1	J105-40PE	J105-40PE	J105-42PT	J105-8PAN
9	Diffuser	1	J1-39P	J1-39P	J1-39P	J1-40P
10	Screw #8-32 x7/8" Lg	5	U30-542SS	U30-542SS	U30-542SS	U30-542SS
11	Clamp - Pump Body	1	C19-54SS	C19-54SS	C19-54SS	C19-54SS
12	Pump Body (Front Half)	1	L76-37P	L76-37P	L76-37P	L76-37P
§	Pkg of Key numbers 3 & 13	-	J198-20	J198-20	J198-20	J198-20
13	Control Valve	1	L162-10PS	L162-10PS	L162-10PS	L162-10PS
14	Pipe Plug 1/8" NPT	1	WC78-41T	WC78-41T	WG78-41T	WC78-41T
15	Drain Plug	1	U78-941ZPV	U78-941ZPV	U78-941ZPV	U78-941ZPV
16	Barb. Fitting Straight	1	U111-211T	U111-211T	U111-211T	U111-211T
17	O-Ring - Diffuser	1	U9-199	U9-199	U9-199	U9-199
18	Base	1	C4-42P	C4-42P	C4-42P	C4-42P
19	Lockwasher - 5/16	2	†	†	†	†
20	Nut - 5/16 - 18 Hex Hd.	4	U36-37SS	U36-37SS	U36-37SS	U36-37SS
21	Motor Pad	1	C35-11	C35-11	C35-11	C35-11
22	Switch Tube	1	U37-671P	U37-671P	U37-671P	U37-671P
23	Barb. Fitting Elbow	1	U111-212T	U111-212T	U111-212T	U111-212T
24	Pressure Switch	1	U217-1202	U217-1202	U217-1202	U217-1202
25	Locknut - 1/2"	1	U36-112ZP	U36-112ZP	U36-112ZP	U36-112ZP
26	Connector	1	L43-5C	L43-5C	L43-5C	L43-5C
^	Manual	1	FP313	FP313	FP313	FP313
*	Seal & Gasket Kit	-	FPP1500	FPP1500	FPP1500	FPP1500
**	Overhaul Kit	-	FPP1511	FPP1511	FPP1512	FPP1513

§ Pressure Gauge & Regulator (Control Valve) in plastic bag

† Standard Hardware Item; Purchase Locally

^ Not Illustrated

\* Includes: water slinger, seal plate o-ring, shaft seal, diffuser pad and diffuser o-ring.

\*\* Includes: seal & gasket kit plus seal plate insert, impeller and diffuser.