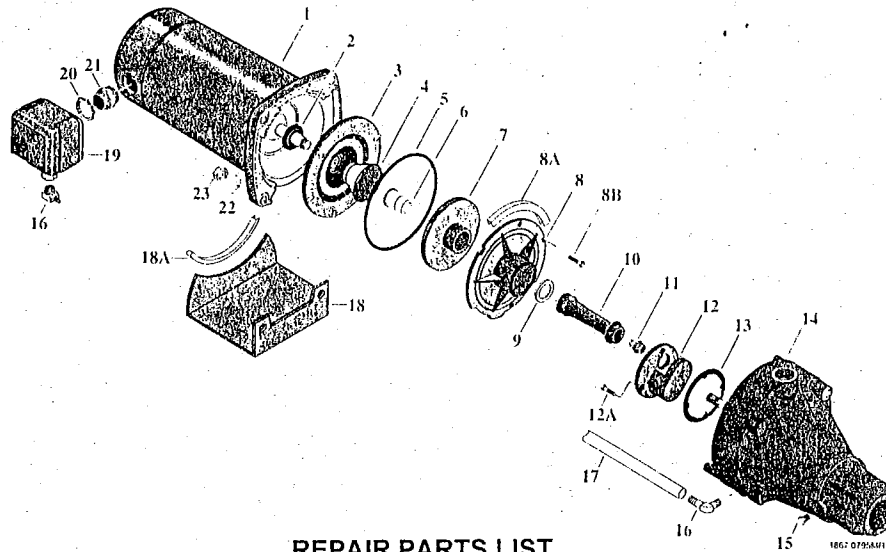


CORROSION-RESISTANT SHALLOW WELL JET

FP4000 (-00L,-01L) SERIES - 1/3 THRU 3/4 HP



REPAIR PARTS LIST

Key No.	Part Description	No. Used	Model and Horsepower		
			FP4001-00L(-01L) 1/3 HP	FP4012-00L(-01L) 1/2 HP	FP4022-00L(-01L) 3/4 HP
1	Motor	1	A100BHL	A100CLL	A100DLL
2	Water Slinger	1	C69-2	C69-2	C69-2
-	Seal Plate Assembly(Incl #3 Thru #5)	-	N103-12P	N103-12P	N103-12P
3	Seal Plate	1	N3-12P	N3-12P	N3-12P
4	Stainless-Steel Insert	1	J3-2SS	J3-2SS	J3-2SS
5	"O" Ring - Seal Plate	1	U9-390	U9-390	U9-390
6	Shaft Seal	1	U109-6A	U109-6A	U109-6A
7	Impeller	1	J105-40PF	J105-40PF	J105-42PTB
8	Diffuser	1	N1-28P	N1-28P	N1-28P
8A	Rubber Pad	1	C35-41	C35-41	C35-41
8B	Capscrew #10-16 Hex Head	2	U30-738SS	U30-738SS	U30-738SS
9	"O" Ring - Diffuser	1	U9-201	U9-201	U9-201
10	Venturi	1	N32P-66	N32P-66	N32P-67
11	Nozzle	1	N34P-18 17	N34P-18 17	N34P-19
-	Pump Body - Assembly (#12 Thru 18)	-	N176-35P	N176-35P	N176-35PA
12	Jet Body Insert	1	N76-29P	N76-29P	N76-29P
12A	Capscrew #10-16	4	U30-742SS	U30-742SS	U30-742SS
13	Gasket - Jet Body Insert	1	J20-18	J20-18	J20-18
14	Pump Body	1	N76-35P	N76-35P	N76-35P
15	Pipe Plug 1/8" NPT	1	WC78-41T	WC78-41T	WC78-41T
16	Barb. Elbow 1/4" NPT	2	U111-212T	U111-212T	U111-212T
17	Switch Tube	1	U37-670P	U37-670P	U37-670P
18	Base Assembly	1	J104-9F	J104-9F	J104-9F
18A	Rubber Pad	1	C35-5	C35-5	C35-5
19	Pressure Switch	1	U217-1202	U217-1202	U217-1202
20	Locknut 1/2"	1	U36-112ZP	U36-112ZP	U36-112ZP
21	Connector 1/2"	1	L43-5C	L43-5C	L43-5C
22	Lock Washer 3/8"	4	U43-12ZP	U43-12ZP	U43-12ZP
23	Nut 3/8-16	4	U36-38ZP	U36-38ZP	U36-38ZP
^	Manual	1	FP312	FP312	FP312
*	Seal & Gasket Kit	-	FPP1530	FPP1530	FPP1530
**	Overhaul Kit	-	FPP1520	FPP1520	FPP1521

^ Not Illustrated

* Includes: Water slinger, seal plate o-ring, shaft seal, diffuser pad and diffuser o-ring

** Includes: Seal & Gasket kit, seal plate insert, impeller and diffuser