



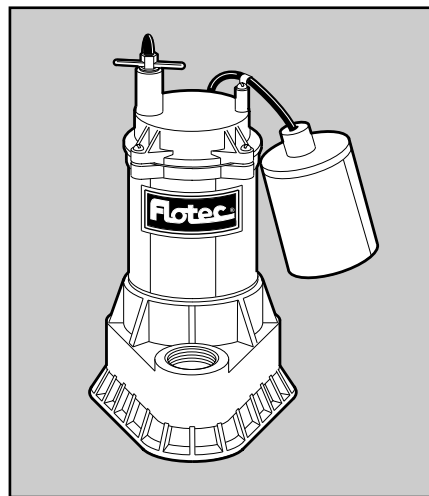
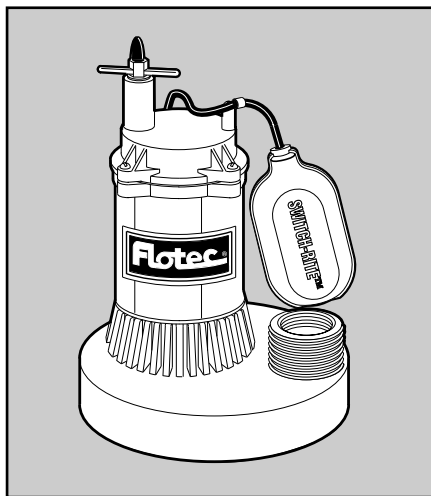
P.O. Box 342, Delavan, WI 53115
 Phone: 1-800-365-6832
 Fax: 1-800-526-3757
 E-Mail: info@flotecwater.com
 Web Site: http://www.flotecwater.com

Water
 is Our
 Business®

OWNER'S MANUAL
Submersible Sump Pumps

NOTICE D'UTILISATION
**Pompes submersibles
 pour puisard**

MANUAL DEL USUARIO
**Bombas sumergibles
 para sumideros y efluentes**



Installation/Operation/Parts

*For further operating,
 installation, or maintenance
 assistance:*

Call 1-800-365-6832

English Pages 2-6

Installation/Fonctionnement/Pièces

*Pour plus de renseignements
 concernant l'utilisation,
 l'installation ou l'entretien,*

Composer le 1 (800) 365-6832

Français Pages 7-11

Instalación/Operación/Piezas

*Para mayor información sobre
 el funcionamiento, instalación o
 mantenimiento de la bomba:*

Llame al 1-800-365-6832

EspañolPaginas 12-16

DESCRIPTION

This Submersible Sump Pump is designed for home sumps. Unit is equipped with a 3-prong grounding-type power cord. Shaded-pole motor is oil filled and sealed for cooler running. Sleeve bearings on motor shaft never need lubrication. Automatic reset thermal protection.

SPECIFICATIONS

Power supply required115V, 60 HZ.
 Motor dutycontinuous*
 Liquid Temp. Range32°F to 70°F(0°-21°C)
 Individual Branch Circuit Required (min.)15 Amps
 Discharge:
 Plastic Models1-1/4" FNPT / 1-1/2" MNPT
 Cast Iron Models1-1/2" FNPT

***NOTICE:** For continuous operation, water depth must be at least 5" (13 cm), to prevent motor overheating.

NOTICE: This unit is not designed for applications involving salt water or brine! Use with salt water or brine will void warranty.

Pump water only with this pump.

PERFORMANCE

Series	Motor HP	GPH (LPH) AT TOTAL FEET (M)			No flow at height shown below
		5 (1.5m)	10 (3m)	15 (4.6m)	
CAPACITY GALLONS(L)/HOUR					
FPOS1800A FPOS1800LTS	1/4	2280 (8 631)	1620 (6 132)	660 (2 498)	18 Ft. (5.5M)
FPOS2400A FPOS2450A	1/3	2760 (10 448)	2160 (8 176)	1410 (5 337)	20 Ft. (6.1M)
FPOS3200A FPOS3250A	1/2	3200 (12 113)	2700 (10 220)	2000 (7 571)	24 Ft. (7.3M)
FPSC2200A FPSC2250A	1/3	2800 (10 599)	2200 (8328)	1400 (5299)	20 Ft. (6.1M)
FPSC3200A FPSC3250A	1/2	3200 (12 113)	2700 (10 220)	2000 (7 570)	24 Ft. (7.3M)

ELECTRICAL & SWITCH SPECIFICATIONS

Series	Motor HP	Motor Full Load Amps	Individual Branch Circuit Req.(Amps)	*Switch Setting in inches (mm)	
				On	Off
FPOS1800A	1/4	8.5	15	11 3/4"(298)	4 1/2"(114)
FPOS1800LTS	1/4	8.5	15	11 3/4"(298)	4 1/2"(114)
FPOS2400A	1/3	9.0	15	13"(330)	6"(152)
FPOS3200A	1/2	13.0	15	13"(330)	6"(152)
FPSC2200A	1/3	9.0	15	13"(330)	6"(152)
FPSC3200A	1/2	13.0	15	13"(330)	6"(152)
FPOS2450A	1/3	9.0	15	8"(203)	4"(102)
FPOS3250A	1/2	13.0	15	8"(203)	4"(102)
FPSC2250A	1/3	9.0	15	8"(203)	4"(102)
FPSC3250A	1/2	13.0	15	8"(203)	4"(102)

GENERAL SAFETY INFORMATION

Electrically powered sump pumps normally give many years of trouble-free service when correctly installed, maintained, and used. However, unusual circumstances (interruption of power to the pump, dirt/debris in the sump, flooding that exceeds the pump's capacity, electrical or mechanical failure in the pump, etc.) may prevent your pump from functioning normally. To prevent possible water damage due to flooding, consult your retailer about a secondary AC sump pump, a DC backup sump pump, and/or a high water alarm. See the "Troubleshooting Chart" in this manual for information about common sump pump problems and remedies. For more information, see your retailer, call Flotec customer service at 1-800-365-6832 or visit our website at www.flotecwater.com.

1. Know the pump application, limitations, and potential hazards.
2. **Do not use in water with fish present.**
3. Disconnect power before servicing.
4. Release all pressure within system before servicing any component.
5. Drain all water from system before servicing.
6. Secure discharge line before starting pump. An unsecured discharge line will whip, possibly causing personal injury and/or property damage.
7. Check hoses for weak or worn condition before each use, making certain that all connections are secure.
8. Periodically inspect sump, pump and system components. Keep free of debris and foreign objects. Perform routine maintenance as required.
9. Provide means of pressure relief for pumps whose discharge line can be shut-off or obstructed.
10. Personal Safety:
 - a. Wear safety glasses at all times when working with pumps.
 - b. Keep work area clean, uncluttered and properly lighted – replace all unused tools and equipment.
 - c. Keep visitors at a safe distance from work area.
 - d. Make workshop child-proof – with padlocks, master switches, and by removing starter keys.
11. When wiring an electrically driven pump, follow all electrical and safety codes that apply.
12. **This equipment is only for use on 115 volt (single phase) and is equipped with an approved 3-conductor cord and 3-prong, grounding-type plug.**

For parts or assistance, call Flotec Customer Service at 1-800-365-6832

⚠ WARNING To reduce risk of electric shock, pull plug before servicing. This pump has not been investigated for use in swimming pool areas. Pump is supplied with a grounding conductor and grounding-type attachment plug. Be sure it is connected only to a properly grounded grounding-type receptacle.

Where a 2-prong wall receptacle is encountered, it must be replaced with properly grounded 3-prong receptacle installed in accordance with codes and ordinances that apply.

12. All wiring should be performed by a qualified electrician.
13. Make certain power source conforms to requirements of your equipment.
14. Protect electrical cord from sharp objects, hot surfaces, oil, and chemicals. Avoid kinking cord. Replace or repair damaged or worn cords immediately.
15. Do not touch an operating motor. Modern motors are designed to operate at high temperatures.
16. Do not handle pump or pump motor with wet hands or when standing on wet or damp surface, or in water.

⚠ WARNING Hazardous voltage can shock, burn or kill. If your basement has water or moisture on floor, do not walk on wet area until all power has been turned off. If shut-off box is in basement, call electric company or hydro authority to shut-off service to house, or call your local fire department for instructions. Remove pump and repair or replace. Failure to follow this warning can result in fatal electrical shock.

Do not lift pump by power cord.

FLOAT SWITCH INSTALLATION

Models equipped with vertical switches require some assembly. See the Switch Assembly instructions on Page 4. Models with tethered float switches are ready for use.

INSTALLATION

1. Install pump in sump pit with minimum diameter of 10" (254mm) for models equipped with vertical switches and 14" (356mm) for tethered float switch models. Sump depth should be 16" (406mm) for tethered models and 10" (254mm) for vertically switched models. Construct sump pit of tile, concrete, steel or plastic. Check local codes for approved materials and for proper installation.
2. Install pump in pit so that switch operating mechanism has maximum possible clearance.
3. Pump should not be installed on clay, earth or sand surfaces. Clean sump pit of small stones and gravel which could clog pump. Keep pump inlet screen clear.

NOTICE: Do not use ordinary pipe joint compound on plastic pipe. Pipe joint compound can attack plastics.

4. Install discharge plumbing. Use rigid plastic pipe and wrap threads with Teflon™ tape. Screw pipe into pump hand tight plus 1-1/2 turns.

⚠ CAUTION Risk of flooding. If a flexible discharge hose is used, make sure pump is secured in sump to prevent movement. Failure to secure pump may allow pump movement, switch interference and prevent pump from starting or stopping.

5. To reduce motor noise and vibrations, a short length of rubber hose (1-7/8" (47.6mm) I.D., e.g. radiator hose) can be connected into discharge line near pump using suitable clamps.
6. Install an in-line check valve (Flotec No. FP0026-10D) or an in-pump check valve (Flotec No. FP0026-6D) to prevent flow backwards through pump when pump shuts off.

NOTICE: If your check valve is not equipped with an air bleed hole to prevent airlocking pump, drill a 1/8" (3.2 mm) hole in discharge pipe just above where the discharge pipe screws into the pump discharge. Be sure the hole is below the waterline and the check valve to prevent air locks.

7. Power Supply: Pump is designed for 115 V., 60 Hz., operation and requires a minimum 15 amp individual branch circuit. Both pump and switch are supplied with 3-wire cord sets with grounding-type plugs. Switch plug is inserted directly into outlet and pump plug inserts into opposite end of switch plug.

⚠ WARNING Pump should always be electrically grounded to a suitable electrical ground such as a grounded water pipe or a properly grounded metallic raceway, or ground wire system. Do not cut off round ground pin.

8. If pump discharge line is exposed to outside sub-freezing atmosphere, portion of line exposed must be installed so any water remaining in pipe will drain to the outfall by gravity. Failure to do this can cause water trapped in discharge to freeze which could result in damage to pump.
9. After piping, check valve and float switch have been installed, the unit is ready for operation.
10. Check the pump operation by filling sump with water and observing pump operation through one complete cycle. For switch settings see the Electrical and Switch Specifications chart on Page 2.

⚠ WARNING Failure to make this operational check may lead to improper operation, premature failure, and flooding.

™ E.I. DuPont De Nemours and Company Corporation, Delaware.

For parts or assistance, call Flotec Customer Service at 1-800-365-6832

OPERATION

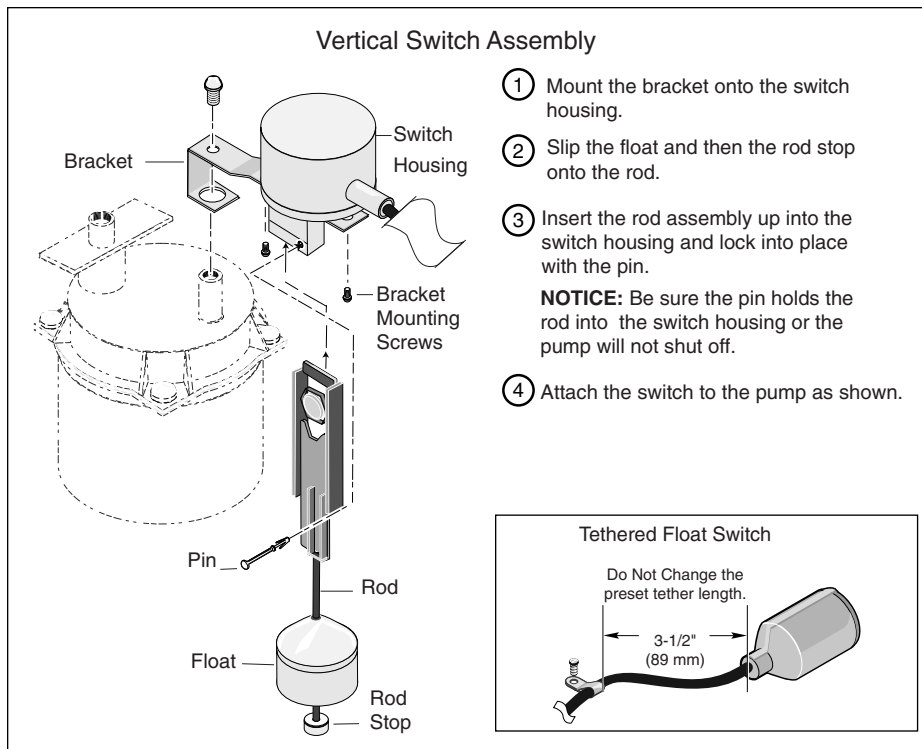
⚠ WARNING Risk of electric shock. Do not handle a pump or pump motor with wet hands or when standing on wet or damp surface, or in water.

1. Shaft seal depends on water for lubrication. Do not operate pump unless it is submerged in water as seal may be damaged if allowed to run dry.
2. Motor is equipped with automatic reset thermal protector. If temperature in motor should rise unduly, switch will cut off all power before damage can be done to motor. When motor has cooled sufficiently, switch will reset automatically and restart motor. If protector trips repeatedly, pump should be removed and checked as to cause of difficulty. Low voltage, long extension cords, clogged impeller, very low head or lift, or a plugged or frozen discharge pipe, etc., could cause cycling.

3. Pump will not remove all water. If operating a pump manually, and suddenly no water comes out of the discharge hose, shut off the unit immediately. The water level is probably very low and the unit has broken prime.

NOTICE: For continuous operation, water depth must be at least 5" (127mm) to prevent the motor from overheating. A fully submerged pump is preferred for proper cooling when a pump runs continuously.

⚠ WARNING Risk of electric shock. Before attempting to check why unit has stopped operating, disconnect power from unit.



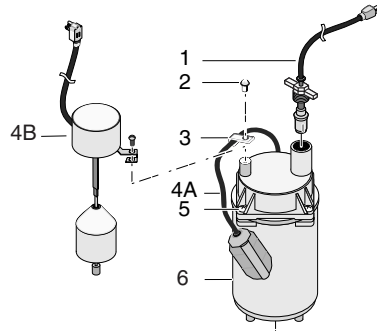
For parts or assistance, call Flotec Customer Service at 1-800-365-6832

PLASTIC SERIES

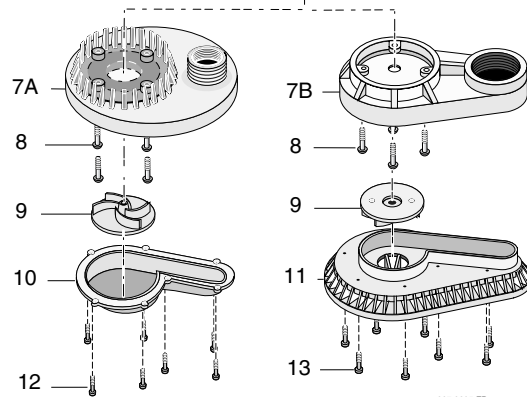
FPOS1800A-08, FPOS1800LTS-08
 FPOS2400A-08, FPOS3200A-08
 FPOS2450A-08, FPOS3250A-08

CAST IRON SERIES

FPSC2200A-08, FPSC3200A-08
 FPSC2250A-08, FPSC3250A-08



Model	Impeller	Power Cord
FPOS1800A-08	RP0000917	PS117-54-TSU
FPOS1800LTS-08	RP0000917	PS117-54-TSU
FPOS2400A-08	RP0000918A	PS117-54-TSU
FPOS2450A-08	RP0000918A	PS117-54-TSU
FPOS3200A-08	RP0000911A	PS117-53-TSU
FPOS3250A-08	RP0000911A	PS117-53-TSU
FPSC2200A-08	PS5-19P	PS117-54-TSU
FPSC2250A-08	PS5-19P	PS117-54-TSU
FPSC3200A-08	PS5-20P	PS117-54-TSU
FPSC3250A-08	PS5-20P	PS117-53-TSU



287 0295 FP

Key No.	Part Description	Qty.	FPOS2400A-08	FPOS2450A-08	FPSC2200A-08	FPSC2250A-08
			FPOS1800A-08	FPOS3250A-08	FPSC3200A-08	FPSC3250A-08
1	Power Cord Assembly	1	See Chart	See Chart	See Chart	See Chart
2	Cord Clamp Screw	1	U30-955PS	-	U30-955PS	-
3	Float Switch Cord Clamp	1	CC0030-13	-	CC0030-13	-
4A	Tethered Float Switch Assembly†	1	FP18-15BD	-	FP18-15BD	-
4B	Vertical Float Switch Assembly	1	-	FPS17-66	-	FPS17-66
5	Screw, #8-32x7/8" Hex Head	4	U30-951PS	-	U30-951PS	U30-951PS
6	Motor	1	**	**	**	**
7A	Volute (Upper)*	1	PS1-31P	PS1-31p	-	-
7B	Volute (Upper)	1	-	-	PS1-24B	PS1-24B
8	Screw, #8-32x5/8" Phillips Pan Head	4	U30-912PS	U30-912PS	U30-912PS	U30-912PS
9	Impeller	1	See Chart	See Chart	See Chart	See Chart
10	Volute (Lower)	1	PS1-30P	PS1-30P	-	-
11	Baseplate	1	-	-	PS4-18P	PS4-18P
12	Screw, #8-16x1/2" Lg. Pan Head	7	U30-956ZP	U30-956ZP	-	-
13	Screws, #8-32 x 1/2" Pan Head	8	-	-	U30-571BT	U30-571BT

**If motor fails, replace entire pump.

* Pump Model Series Numbers FPOS1800 take Upper Volute P/N PS1-32P (Not Illustrated).

† Models FPOS3200A-08 and FPSC3200-08 use Switch P/N PS217-57.

For parts or assistance, call Flotec Customer Service at 1-800-365-6832

TROUBLESHOOTING CHART

SYMPTOM	PROBABLE CAUSE(S)	CORRECTIVE ACTION
Pump won't start or run.	Pump is not plugged in. Blown fuse. Low line voltage. Defective motor. Defective float switch. Impeller. Float obstructed.	Check and see if pump is plugged in to a proper outlet. If blown, replace with fuse of proper size. If voltage under recommended minimum, check size of wiring from main switch on property. If OK, contact power company or hydro authority. Replace pump. Replace float switch. If impeller won't turn, remove lower pump body and locate source of binding. Remove obstruction.
Pump starts and stops too often.	Backflow of water from piping. Faulty float switch.	Install or replace check-valve. Replace float switch.
Pump won't shut off.	Defective float switch. Restricted discharge (obstacle or ice in piping). Float obstructed. Restricted intake screen.	Replace float switch. Remove pump and clean pump and piping. Remove obstruction. Remove the pump and clean the intake screen and the impeller.
Pump operates but delivers little or no water.	Low line voltage. Something caught in impeller. Worn or defective parts or plugged impeller. Check valve installed without vent hole. Restricted intake screen. Check valve is installed either backward or upside down.	If voltage under recommended minimum, check size of wiring from main switch on property. If OK, contact power company or hydro authority. Remove the pump and clean out the impeller. Clean impeller if plugged; otherwise replace pump. Drill a 1/16" - 1/8" (1.6mm - 3.2mm) dia. hole between pump discharge & check valve (1-2" above where the discharge pipe screws into the pump discharge and below the waterline). Remove the pump and clean out the intake screen. Be sure check valve is installed correctly.

ATTACH ORIGINAL RECEIPT HERE FOR WARRANTY CONSIDERATION.

Flotec Limited Warranty	
<p>FLOTEC warrants to the original consumer purchaser ("Purchaser") of its products that they are free from defects in material or workmanship.</p> <p>If within twelve (12) months from the date of the original consumer purchase any such product shall prove to be defective, it shall be repaired or replaced at FLOTEC's option, subject to the terms and conditions set forth below. Your original receipt of purchase is required to determine warranty eligibility.</p> <p>Exceptions to the Twelve (12) Month Warranty</p> <p>Ninety (90) Day Warranty: If within ninety (90) days from original consumer purchase any Drill Pump, Pitcher Pump, or In-Line Water Filter Cartridge shall prove to be defective, it shall be replaced, subject to the terms set forth below.</p> <p>Two (2) Year Warranty: If within two (2) years from original consumer purchase any 1/3 HP Submersible Sump Pump or Model FP2800DCC shall prove to be defective, it shall be repaired or replaced at FLOTEC's option, subject to the terms and conditions set forth below.</p> <p>Three (3) Year Warranty: If within three (3) years from original consumer purchase any 4" Submersible Well Pump, or 1/2 HP Submersible Sump Pump, shall prove to be defective, it shall be repaired or replaced at FLOTEC's option, subject to the terms and conditions set forth below.</p> <p>Five (5) Year Warranty: If within five (5) years from original consumer purchase any Pre-Charge water system tank shall prove to be defective, it shall be repaired or replaced at FLOTEC's option, subject to the terms and conditions set forth below.</p>	<p>General Terms and Conditions</p> <p>Purchaser must pay all labor and shipping charges necessary to replace product covered by this warranty. This warranty shall not apply to acts of God, nor shall it apply to products which, in the sole judgement of FLOTEC, have been subject to negligence, abuse, accident, misapplication, tampering, alteration; nor due to improper installation, operation, maintenance or storage; nor to other than normal application, use or service, including but not limited to, operational failures caused by corrosion, rust or other foreign materials in the system, or operation at pressures in excess of recommended maximums.</p> <p>Requests for service under this warranty shall be made by returning the defective product to the Retail outlet or to FLOTEC as soon as possible after the discovery of any alleged defect. FLOTEC will subsequently take corrective action as promptly as reasonably possible. No requests for service under this warranty will be accepted if received more than 30 days after the term of the warranty.</p> <p>This warranty sets forth FLOTEC's sole obligation and purchaser's exclusive remedy for defective products.</p> <p>FLOTEC SHALL NOT BE LIABLE FOR ANY CONSEQUENTIAL, INCIDENTAL, OR CONTINGENT DAMAGES WHATSOEVER.</p> <p>THE FOREGOING WARRANTIES ARE EXCLUSIVE AND IN LIEU OF ALL OTHER EXPRESS WARRANTIES, IMPLIED WARRANTIES, INCLUDING BUT NOT LIMITED TO THE IMPLIED WARRANTIES OF MERCHANTABILITY AND FITNESS FOR A PARTICULAR PURPOSE, SHALL NOT EXTEND BEYOND THE DURATION OF THE APPLICABLE EXPRESS WARRANTIES PROVIDED HEREIN.</p> <p>Some states do not allow the exclusion or limitation of incidental or consequential damages or limitations on how long an implied warranty lasts, so the above limitations or exclusions may not apply to you. This warranty gives you specific legal rights and you may also have other rights which vary from state to state.</p>
<p>FLOTEC • P.O. Box 342 • Delavan, WI U.S.A. 53115 Phone: 1-800-365-6832 • Fax: 1-800-526-3757 E-Mail: info@flotecwater.com • Web Site: http://www.flotecwater.com</p>	

DESCRIPTION

Cette pompe submersible est conçue pour les puisards domestiques. Elle est livrée avec un cordon électrique à 3 broches dont une pour la mise à la terre. Le moteur étanche à bague de déphasage est rempli d'huile, ce qui lui permet de fonctionner sans chauffer. Les paliers à coussinet-douille de l'arbre du moteur ne nécessitent aucun graissage. Protection thermique à réarmement automatique.

CARACTÉRISTIQUES

Courant d'alimentation requis115 V, 60 Hz
 Fonctionnement du moteur.....en continu*
 Gammes de températures
 du liquide.....de 0 à -21 °C (32 °F à 70 °F)
 Circuit de dérivation individuel requis
 (minimum).....15 ampères
 Refoulement:
 Modèles Plastiques...1-1/4 po FNPT / 1-1/2 po MNPT
 Modèles en Fonte1-1/2 po FNPT

*NOTA : Pour un fonctionnement continu et pour empêcher que le moteur surchauffe, la profondeur de l'eau doit être d'au moins 13 cm (5 pouces).

NOTA : Cette pompe n'est pas conçue pour pomper de l'eau salée ni de la saumure! Pomper de l'eau salée ou de la saumure annule la garantie.

Ne pomper que de l'eau avec cette pompe.

RENDEMENT

L/H (GL/H) À UNE HAUTEUR EN M DE (EN PI)					
Série	Puiss. moteur	1,5 m (5 pi)	3 m (10 pi)	4,6 m (15 pi)	Aucun débit à la hauteur suivante
VOLUME LITRES (GL)/HEURE					
FPOS1800A FPOS1800LTS	1/4	8 631 (2280)	6 132 (1620)	2 498 (660)	5,5 m (18 pi)
FPOS2400A FPOS2450A	1/3	10 448 (2760)	8 176 (2160)	5 337 (1410)	6,1 m (20 pi)
FPOS3200A FPOS3250A	1/2	12 113 (3200)	10 220 (2700)	7 571 (2000)	7,3 m (24 pi)
FPSC2200A FPSC2250A	1/3	10 599 (2800)	8 328 (2200)	5 299 (1400)	6,1 m (20 pi)
FPSC3200A FPSC3250A	1/2	12 113 (3200)	10 220 (2700)	7 570 (2000)	7,3 m (24 pi)

CARACTÉRISTIQUES ÉLECTRIQUES ET DE COMMUTATION

Série	Puiss. moteur	Charge complète moteur Amp	Circuit de dérivation individuel requis en ampères	Réglage de l'interrupteur en mm (po)	
				Marche	Arrêt
FPOS1800A	1/4	8,5	15	298 (11½)	114 (4½)
FPOS1800LTS	1/4	8,5	15	298 (11½)	114 (4½)
FPOS2400A	1/3	9,0	15	330 (13)	152 (6)
FPOS3200A	1/2	13,0	15	330 (13)	152 (6)
FPSC2200A	1/3	9,0	15	330 (13)	152 (6)
FPSC3200A	1/2	13,0	15	330 (13)	152 (6)
FPOS2450A	1/3	9,0	15	203 (8)	102 (4)
FPOS3250A	1/2	13,0	15	203 (8)	102 (4)
FPSC2250A	1/3	9,0	15	203 (8)	102 (4)
FPSC3250A	1/2	13,0	15	203 (8)	102 (4)

RENSEIGNEMENTS CONCERNANT LES CONSIGNES DE SÉCURITÉ GÉNÉRALES

Si elle est bien installée, bien entretenue et bien utilisée, une électropompe assure de nombreuses années de service sans entretien. Toutefois, toutes circonstances inhabituelles (interruption du courant alimentant la pompe, saletés ou débris dans le puisard, débits de crue dépassant la capacité de la pompe, pannes électriques ou mécaniques de la pompe, etc.) peuvent empêcher la pompe de fonctionner normalement. Pour empêcher les dégâts causés par l'eau suite à une inondation, s'adresser au détaillant sur la possibilité de poser une deuxième pompe de puisard fonctionnant sur le courant alternatif ou une pompe de puisard de secours fonctionnant sur le courant continu et/ou une alarme de niveau élevé d'eau. Se reporter au «Tableau de recherche des pannes» de ce Manuel pour plus de renseignements concernant les problèmes courants des pompes de puisard et leurs remèdes. Pour de plus amples renseignements, s'adresser au détaillant, appeler le service à la clientèle Flotec en composant le 1 800 365-6832 ou visiter notre site web www.flotecwater.com.

- Avant tout, il faut connaître les applications de la pompe, ces limites et les dangers potentiels que présente son utilisation.
- Ne pas utiliser pour pomper de l'eau dans laquelle se trouvent des poissons.**
- Avant d'intervenir sur la pompe, couper le courant.
- Dissiper toute la pression du circuit d'eau avant d'intervenir sur un des éléments de la pompe.
- Vidanger l'eau du circuit avant d'intervenir sur la pompe.
- Bien immobiliser la canalisation de refoulement avant de faire fonctionner la pompe. Une canalisation de refoulement non immobilisée risque de se déplacer comme un fouet et de causer des blessures corporelles et/ou des dommages matériels.
- Avant chaque utilisation, s'assurer que les tuyaux souples ne comportent pas de points faibles ni de parties usées et que tous les raccords sont bien serrés.
- Périodiquement, inspecter la pompe et tous les éléments de l'ensemble. Procéder à un entretien périodique selon le besoin.
- Prévoir un moyen de dissiper la pression des pompes dont la canalisation de refoulement peut être fermée ou obstruée.
- Sécurité personnelle :
 - Lorsque l'on intervient sur une pompe, toujours porter des lunettes de sécurité.
 - Toujours garder la zone de travail propre, dégagée et bien éclairée – Enlever tous les outils et tout l'équipement inutiles.
 - Les visiteurs doivent se tenir à une distance sécuritaire de la zone de travail.
 - Poser des cadenas pour s'assurer que les enfants ne pourront pas pénétrer dans l'atelier de travail. Poser aussi un interrupteur général et enlever les clés des démarreurs.
- Lorsque l'on câble une pompe électrique, observer tous les codes de sécurité et de l'électricité applicables.
- Cet équipement ne fonctionne que sur le courant 115 volts (monophasé) et est muni d'un cordon d'alimentation approuvé à 3 conducteurs et d'une fiche à 3 broches dont une de mise à la terre.**

Pour les services des pièces ou d'assistance, appeler le service à la clientèle Flotec en composant le | (800) 365-6832

AVERTISSEMENT Avant d'intervenir sur la pompe et pour minimiser les risques de chocs électriques, débrancher la pompe de la prise de courant. Aucune étude n'a été faite pour savoir si cette pompe pouvait être utilisée aux alentours des piscines. Cette pompe est livrée avec un conducteur et une fiche comportant une broche de mise à la terre. Ne brancher cette fiche que dans une prise de courant adéquatement mise à la terre. Au cas où l'installation ne comporterait que des prises de courant à 2 trous, remplacer la prise dans laquelle la fiche sera branchée par une prise de courant à 3 trous adéquatement mise à la terre et posée conformément aux Codes et aux décrets applicables.

12. Tout le câblage doit être exécuté par un électricien qualifié.
13. S'assurer que la source du courant est conforme aux caractéristiques de l'équipement.
14. Protéger le cordon électrique contre les objets tranchants, les surfaces chaudes, l'huile et les produits chimiques. Éviter de nouer le cordon. Remplacer immédiatement le cordon s'il est endommagé ou usé.
15. Ne pas toucher le moteur de la pompe pendant qu'il fonctionne. Les moteurs modernes ne fonctionnent que par des températures élevées.
16. Ne pas manipuler la pompe ni le moteur de la pompe lorsqu'on a les mains humides ou lorsqu'on se tient debout sur une surface mouillée, humide ou dans l'eau.

AVERTISSEMENT Tension dangereuse. Risque de secousses, de brûlures, voire de mort. Si le sol du sous-sol est humide ou couvert d'eau, ne pas marcher sur cette surface humide tant que toute l'alimentation en courant électrique n'a pas été interrompue. Si le sectionneur principal se trouve au sous-sol, appeler la compagnie qui fournit l'électricité pour lui demander d'interrompre le service parvenant à la maison ou appeler le service d'incendie local pour plus de renseignements. Déposer la pompe, la réparer ou la remplacer. On risque d'être mortellement électrocuté si l'on n'observe pas cet avertissement. Ne pas lever la pompe par son cordon électrique.

INSTALLATION DE L'INTERRUPTEUR À FLOTTEUR

Certains modèles équipés d'un interrupteur vertical nécessitent un peu de montage. Se reporter à la page 9 pour les instructions concernant l'interrupteur. Les modèles équipés d'interrupteurs à flotteur à tige sont prêts à être utilisés.

INSTALLATION

1. Dans le cas de modèles équipés d'un interrupteur vertical, installer la pompe dans un puisard ayant un diamètre minimum de 25,4 cm (10 pouces) et dans un puisard ayant un diamètre minimum de 35,6 cm (14 pouces) dans le cas des pompes équipées d'un interrupteur à flotteur à cordon. Le puisard doit avoir une profondeur minimum de 40,6 cm (16 po) dans le cas des modèles à cordon et de 25,4 cm (10 po) dans le cas des modèles à interrupteur à flotteur vertical. Le puisard peut être construit avec un tuyau en ciment, du béton, en acier ou du plastique. Consulter les codes municipaux pour connaître le matériau approuvé et pour procéder adéquatement à l'installation.
2. Installer la pompe dans le puisard de façon que le mécanisme actionnant l'interrupteur puisse avant le plus grand dégagement possible.
3. Il ne faut pas poser la pompe sur une surface en argile, en terre ou sablonneuse. Enlever les petites pierres et le gravier du puisard qui risqueraient de boucher la pompe. La crépine d'admission d'eau de

la pompe doit toujours être dégagée.

NOTA : Ne pas utiliser de pâte à joint ordinaire pour tuyaux filetés sur les tuyaux en plastique car cette pâte attaque les plastiques.

4. Poser la tuyauterie de refoulement. Utiliser des tuyaux en plastique rigide et envelopper les filets de ruban d'étanchéité en téflon. Visser bien serré le tuyau à la main dans la pompe, puis le visser de 1-1/2 tour supplémentaire.

ATTENTION Risque d'inondation. Si l'on utilise un tuyau de refoulement souple, s'assurer que la pompe est bien immobilisée dans le puisard pour empêcher qu'elle se déplace. Si la pompe n'est pas bien immobilisée, elle risque de se déplacer, l'interrupteur risque de se coincer et d'empêcher la pompe de démarrer ou de s'arrêter.

5. Pour minimiser le bruit du moteur et les vibrations, un petit morceau de tuyau en caoutchouc (de 4,76 cm [1-7/8 po] de dia. int., une durite de radiateur, par exemple) peut être posé sur la conduite de refoulement à l'aide de colliers, près de la pompe.
6. Poser le clapet antiretour en ligne (Flotec n° FP0026-10D) ou un clapet antiretour logé dans la pompe (Flotec n° FP0026-6D) pour empêcher l'eau de retomber dans la pompe lorsqu'elle est arrêtée. **NOTA** : Si le clapet de non-retour ne comporte pas un trou de purge d'air pour empêcher les bouchons d'air dans la pompe, percer un trou de 3,2 mm (1/8 de po) dans le tuyau de refoulement, juste au-dessus où le tuyau de refoulement se visse dans le refoulement de la pompe. S'assurer que le trou est sous le niveau de l'eau et le clapet de non-retour pour empêcher la formation de bouchons d'air.
7. Courant électrique : La pompe est conçue pour fonctionner sur le courant électrique de 115 V, 60 Hz, et elle doit être branchée sur un circuit de dérivation individuel d'au moins 15 ampères. La pompe et l'interrupteur sont livrés avec des cordons électriques à 3 conducteurs et des fiches avec broches de terre. La fiche de l'interrupteur se branche directement dans la prise de courant et la fiche du cordon de la pompe se branche à l'arrière de la fiche de l'interrupteur.

AVERTISSEMENT La pompe doit toujours être raccordée à la terre, sur un tuyau d'eau mis à la terre, une canalisation métallique adéquatement mise à la terre ou un circuit électrique adéquatement mis à la terre, par exemple. Ne jamais couper la broche ronde de mise à la terre de la fiche.

8. Si la conduite de refoulement de la pompe est exposée aux températures de congélation extérieures, la partie exposée doit être installée de façon que l'eau restant dans le tuyau puisse se vidanger en retombant par gravité. Si l'on ne respecte pas cette recommandation, l'eau emprisonnée dans la conduite de refoulement risque de geler et la pompe risque d'être endommagée.
9. Après avoir installé la tuyauterie, le clapet antiretour et l'interrupteur à flotteur, la pompe est prête à fonctionner.
10. Vérifier le fonctionnement de la pompe en remplissant le puisard d'eau, puis observer le fonctionnement de la pompe sur un cycle complet. Pour connaître les réglages de l'interrupteur, se reporter au tableau de la page 7 intitulé « Caractéristiques électriques et de l'interrupteur ».

TM E.I. DuPont De Nemours and Company Corporation, Delaware.

Pour les services des pièces ou d'assistance, appeler le service à la clientèle Flotec en composant le 1 (800) 365-6832

⚠ AVERTISSEMENT Ne pas procéder à cette vérification de fonctionnement risque de causer un mauvais fonctionnement, une panne prématurée, voire une inondation.

FONCTIONNEMENT

⚠ AVERTISSEMENT Risque de secousses électriques. Ne pas toucher à la pompe ni au moteur de la pompe lorsqu'on a les mains humides ou lorsqu'on se tient debout sur une surface mouillée, humide ou dans l'eau.

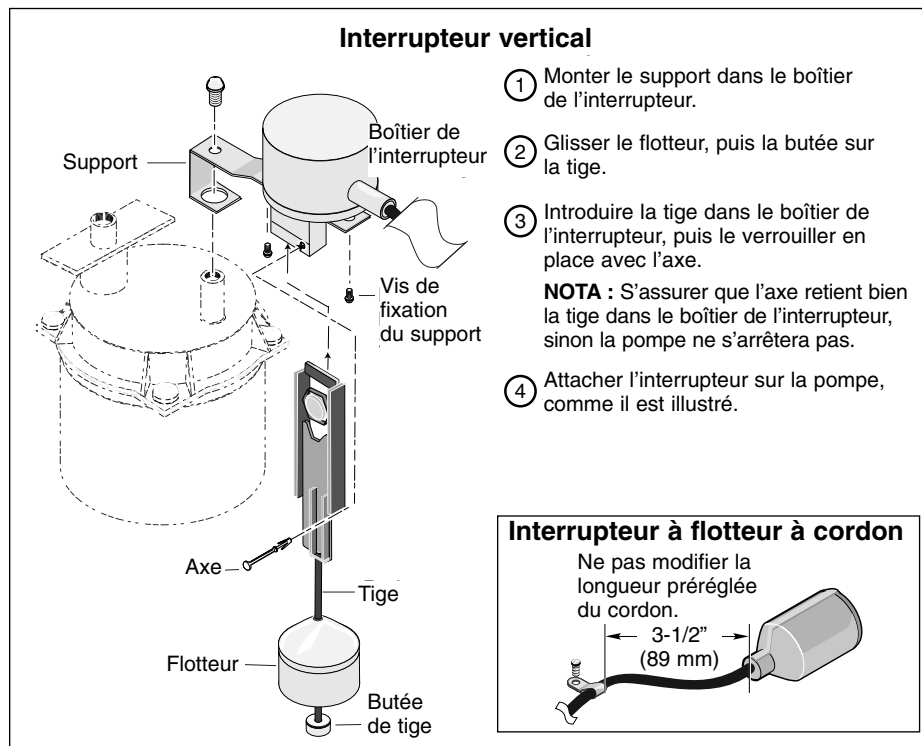
1. Le joint de l'arbre dépend de l'eau pour son graissage. Ne pas utiliser la pompe si elle n'est pas immergée dans l'eau, sinon son joint sera endommagé si la pompe fonctionne à sec.
2. Le moteur est équipé d'un protecteur thermique à réarmement automatique. Si la température devait s'élever anormalement, le disjoncteur interrompra automatiquement l'arrivée de courant avant que le moteur soit endommagé. Lorsque le moteur aura suffisamment refroidi, le disjoncteur se réarmera automatiquement et le moteur redémarrera. Si le protecteur se déclenche constamment, sortir la pompe du puisard et en déterminer la cause. Une

basse tension, des cordons prolongateurs trop longs, un impulseur bouché, une hauteur de refoulement très basse ou un tuyau de refoulement bouché ou gelé, etc. risquent de causer un fonctionnement intermittent.

3. La pompe n'aspire pas toute l'eau. Si on fait fonctionner la pompe manuellement, et que brusquement l'eau ne coule plus par son tuyau de refoulement, arrêter immédiatement la pompe. Le niveau de l'eau est probablement très bas et la pompe s'est désamorcée.

NOTA : Pour un fonctionnement en continu et pour que le moteur ne surchauffe pas, la profondeur de l'eau doit être d'au moins 12,7 cm (5 pouces). Il est préférable que la pompe soit complètement immergée pour un refroidissement adéquat si elle doit fonctionner en continu.

⚠ AVERTISSEMENT Risque de chocs électriques. Avant de vérifier pourquoi cette pompe a cessé de fonctionner, interrompre le courant parvenant à la pompe.

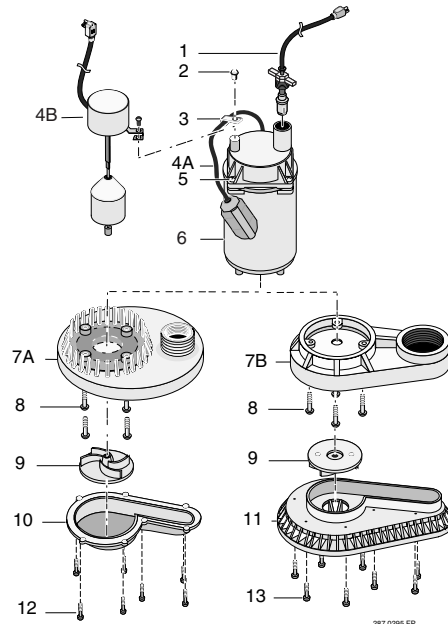


MODÈLES PLASTIQUES

FPOS1800A-08, FPOS1800LTS-08
 FPOS2400A-08, FPOS3200A-08
 FPOS2450A-08, FPOS3250A-08

MODÈLES EN FONTE

FPSC2200A-08, FPSC3200A-08
 FPSC2250A-08, FPSC3250A-08



Modèle	Impulseur	Cordon d'alimentation
FPOS1800A-08	RP0000917	PS117-54-TSU
FPOS1800LTS-08	RP0000917	PS117-54-TSU
FPOS2400A-08	RP0000918A	PS117-54-TSU
FPOS2450A-08	RP0000918A	PS117-54-TSU
FPOS3200A-08	RP0000911A	PS117-53-TSU
FPOS3250A-08	RP0000911A	PS117-53-TSU
FPSC2200A-08	PS5-19P	PS117-54-TSU
FPSC2250A-08	PS5-19P	PS117-54-TSU
FPSC3200A-08	PS5-20P	PS117-54-TSU
FPSC3250A-08	PS5-20P	PS117-53-TSU

Réf.	Désignation	Qté	FPOS2400A-08 FPOS1800A-08 FPOS1800LTS-08 FPOS3200A-08	FPOS2450A-08 FPOS3250A-08	FPSC2200A-08 FPSC3200A-08	FPSC2250A-08 FPSC3250A-08
1	Ensemble de cordon électrique	1	See Chart	See Chart	See Chart	See Chart
2	Vis à tête de collier cordon	1	U30-955PS	-	U30-955PS	-
3	Collier cordon de interrupteur à flotteur	1	CC0030-13	-	CC0030-13	-
4A	Interrupteur à flotteur à cordon†	1	FP18-15BD	-	FP18-15BD	-
4B	Interrupteur à flotteur vertical	1	-	FPS17-66	-	FPS17-66
5	Vis à tête hexagonale n° 8-32 x 7/8 de pouce	4	U30-951PS	-	U30-951PS	U30-951PS
6	Moteur	1	**	**	**	**
7A	Volute (supérieure)*	1	PS1-31P	PS1-31p	-	-
7B	Volute (supérieure)	1	-	-	PS1-24B	PS1-24B
8	Vis à tête cylindrique à empreinte cruciforme n° 8-32 x 5/8 de pouce	4	U30-912PS	U30-912PS	U30-912PS	U30-912PS
9	Impulseur	1	Ver la tabla	Ver la tabla	Ver la tabla	Ver la tabla
10	Volute (inférieure)	1	PS1-30P	PS1-30P	-	-
11	Plaque de base	1	-	-	PS4-18P	PS4-18P
12	Vis à tête cylindrique n° 8-16 x 1/2 po de long	7	U30-956ZP	U30-956ZP	-	-
13	Vis à tête cylindrique à empreinte cruciforme n° 8-32 x 1/2 de pouce	8	-	-	U30-571BT	U30-571BT

**Si le moteur tombe en panne. Replacer la pompe.

* Les modèles FPOS1800 utilisent le n° de pièce PS1-32P (no illustré).

† Pour les modèles FPOS3200A-08 et FPSC3200-08, utiliser l'interrupteur, n° de pièce PS217-57.

Pour les services des pièces ou d'assistance, appeler le service à la clientèle Flotec en composant le **1 (800) 365-6832**

LOCALISATION DES PANNES

Symptôme	Cause(s) probable(s)	Mesure corrective
La pompe ne démarre pas ou ne tourne pas.	La pompe n'est pas branchée. Niveau d'eau trop bas. Fusible fondu. Basse tension de la ligne. Moteur défectueux. Interrupteur du moteur défectueux. Roue motrice. Entrave trop longue. Obstruction du flotteur.	S'assurer que la pompe est branchée dans une prise de courant adéquate. L'interrupteur de la pompe ne se déclenche pas si l'eau ne recouvre pas la partie supérieure de la pompe. Si le fusible est fondu, remplacer par le calibre qui convient. Si la tension est au-dessous du minimum recommandé, vérifier la force du câblage provenant de l'interrupteur général de l'habitation. S'il n'y a pas de problème, contacter la Compagnie d'électricité ou les services hydro-électriques. Remplacer la pompe. Remplacer l'interrupteur du moteur. Si la roue refuse de tourner, déposer la partie inférieure de la pompe et cherche la cause du blocage. Raccourcir l'entrave. Dégager le mouvement du flotteur.
La pompe démarre et s'arrête trop souvent.	Reflux du liquide dans la pompe. Interrupteur du flotteur défectueux.	Installer un clapet de retenue. Remplacer l'interrupteur du flotteur.
La pompe refuse de s'arrêter.	Interrupteur du flotteur défectueux. Diminution du refoulement (obstruction ou glace dans la tuyauterie) Entrave trop longue. Obstruction du flotteur. La crépine d'aspiration est obstruée.	Remplacer l'interrupteur du flotteur. Déposer la pompe et nettoyer la pompe et la canalisation. Raccourcir l'entrave. Dégager le mouvement du flotteur. Déposer la pompe et nettoyer la crépine d'aspiration ainsi que l'impulseur.
La pompe fonctionne mais elle ne délivre pas ou peu d'eau.	Basse tension de la ligne. Quelque chose bloque la roue motrice. Pièces usées ou défectueuses, ou roue motrice obstruée. Clapet de retenue installé sansorifice de ventilation. La crépine d'aspiration est obstruée. Le clapet antiretour est installé à l'envers.	Si la tension est au-dessous du minimum recommandé, vérifier la force du câblage provenant de l'interrupteur général de l'habitation. S'il n'y a pas de problème, contacter la Compagnie d'électricité. Démonter la pompe et nettoyer l'impulseur. Nettoyer la roue motrice si elle est obstruée ; autrement, remplacer la pompe. Percer un trou de 1,6 à 3,2 mm (de 1/16 à 1/8 po) de diamètre entre le refoulement de la pompe et le clapet de retenue (Entre 2,5 et 5 cm (1 à 2 po) au-dessus des filets du tuyau de refoulement qui se visse dans le refoulement de la pompe, et sous le niveau de l'eau. Déposer la pompe et nettoyer la crépine d'aspiration ainsi que l'impulseur. S'assurer que le clapet antiretour est installé correctement.

ATTACHER LE REÇU D'ORIGINE ICI À DES FINS DE GARANTIE

Garantie limitée Flotec

FLOTEC garantit à l'acheteur-utilisateur initial de ses produits ("Acheteur") contre tout défaut de fabrication et de matériaux. Tout produit reconnu défectueux dans les douze (12) mois qui suivent la date d'achat d'origine sera remplacé ou réparé à la discrétion de FLOTEC, selon les conditions stipulées ci-dessous. La preuve d'achat est exigée pour déterminer l'admissibilité à la garantie.

Exceptions à la garantie de douze (12) mois

Garantie de quatre-vingt-dix (90) jours :

Si, dans les quatre-vingt-dix (90) jours à compter de la date d'achat par le consommateur d'origine, une pompe adaptable sur perceuse, une pompe d'amorçage ou une cartouche de filtre à eau en ligne s'avérait être défectueuse, elle sera remplacée, conformément aux conditions stipulées ci-dessous.

Garantie de deux (2) ans :

Si, dans les deux (2) ans à compter de la date d'achat par le consommateur d'origine, une pompe d'assèchement submersible de 1/3 ch ou modèle de FP2800DCC s'avérait être défectueuse, elle sera réparée ou remplacée, au choix de FLOTEC, conformément aux termes et conditions stipulées ci-dessous.

Garantie de trois (3) ans :

Si, dans les trois (3) ans à compter de la date d'achat par le consommateur d'origine, une pompe de puits submersible de 4 pouces ou une pompe d'assèchement submersible de 1/2 ch s'avérait être défectueuse, elle sera réparée ou remplacée, au choix de FLOTEC, conformément aux termes et conditions stipulées ci-dessous.

Garantie de cinq (5) ans :

Si, dans les cinq (5) ans à compter de la date d'achat par le consommateur d'origine, un réservoir de système d'eau préchargé s'avérait être défectueux, il sera réparé ou remplacé, au choix de FLOTEC, conformément aux termes et conditions stipulées ci-dessous.

Conditions générales

L'Acheteur s'engage à payer tous les frais de main-d'œuvre et d'expédition nécessaires au remplacement du produit couvert par la garantie. Cette garantie ne couvrira pas les cas de force majeure, et ne s'appliquera pas aux produits qui, du seul avis de FLOTEC, ont fait l'objet de négligence, d'utilisation abusive ou incorrecte, d'accident, de modification ou d'altération ; ni aux produits qui n'ont pas été installés, utilisés, entreposés ou entretenus correctement ; ni à ceux qui n'ont pas été utilisés ou entretenus normalement, y compris, mais sans s'y limiter, aux produits ayant des pannes de fonctionnement causées par la corrosion, la rouille ou autre corps étranger dans le système, ou à des produits ayant fonctionné à des pressions dépassant la limite maximale recommandée.

Les demandes de service en vertu de la présente garantie seront faites en retournant le produit défectueux au détaillant ou à FLOTEC dès la découverte de tout défaut allégué. FLOTEC prendra alors les mesures correctives aussi rapidement qu'il est raisonnablement possible. Aucune demande de service en vertu de la présente garantie ne sera acceptée si elle est reçue plus de 30 jours après l'expiration de la dite garantie.

La présente garantie énonce la totalité des obligations de FLOTEC et le seul recours possible de l'Acheteur dans le cas de produits défectueux. FLOTEC NE SERA TENU RESPONSABLE D'AUCUN DOMMAGE INDIRECT, ACCIDENTEL OU FORTUIT QUEL QU'IL SOIT.

LES PRÉSENTES GARANTIES SONT EXCLUSIVES ET TIENNENT LIEU DE TOUTE AUTRE GARANTIE EXPRESSE. LES GARANTIES IMPLICITES, Y COMPRIS, MAIS SANS S'Y LIMITER, LES GARANTIES IMPLICITES AYANT TRAIT À LA COMMERCIALISABILITÉ ET À L'ADAPTATION À UN USAGE PARTICULIER, NE DÉPASSERONT PAS LA DURÉE DES GARANTIES EXPRESSES APPLICABLES STIPULÉES DANS LES PRÉSENTES.

Certaines provinces n'autorisent pas d'exclure ou de limiter les dommages fortuits ou indirects ou de limiter la durée d'une garantie implicite ; si se peut donc que les limitations ou exclusions ci-dessus ne s'appliquent pas à votre cas. La présente garantie vous donne des droits juridiques spécifiques et vous pouvez en avoir d'autres qui varient d'une province à l'autre.

FLOTEC • P.O. Box 342 • Delavan, WI U.S.A. 53115
 Téléphone: 1-800-365-6832 • Télécopieur: 1-800-526-3757
 Courrier électronique: info@flotecwater.com • Site Web: http://www.flotecwater.com

DESCRIPCION

Esta Bomba de Sumidero Sumergible está diseñada para sumideros domésticos. La bomba está equipada con un cordón eléctrico de 3 clavijas del tipo con puesta a tierra. El motor de polos protegidos está lleno de aceite y sellado para funcionamiento más frío. Los cojinetes de manguito en el eje del motor nunca necesitan lubricación. Protección contra sobrecarga térmica de reposición automática.

ESPECIFICACIONES

Fuente de alimentación115 V, 60 Hz
 Régimen del Motor.....continuo*
 Gama de la Temperatura del Líquido.....0°-21°C (32°F a 70°F)
 Requiere un ramal individual (mínimo).....15 Amps
 Tubería de Descarga:
 Modelo de Plastico1-1/4" FNPT / 1-1/2" MNPT
 Modelo de Hierro Forjado1-1/2" FNPT

***AVISO:** Para funcionamiento continuo, la profundidad del agua debe ser por lo menos de 13 cm (5"), para evitar que el motor se sobrecaliente.

AVISO: Esta unidad no está diseñada para aplicaciones en agua salada o salmuera. Si se usa agua salada o salmuera se anulará la garantía.

Bombear solamente agua con esta bomba.

RENDIMIENTO

GPH (Galones Por Hora) (LPH-Litros Por Hora) POR TOTAL DE PIES (M)					
Série	Puiss. moteur	1,5 m (5 pi)	3 m (10 pi)	4,6 m (15 pi)	Sin caudal en al altura indicada abajo
CAPACIDAD EN GALONES (l) POR HORA					
FPOS1800A FPOS1800LTS	1/4	8 631 (2280)	6 132 (1620)	2 498 (660)	5,5 m (18 pi)
FPOS2400A FPOS2450A	1/3	10 448 (2760)	8 176 (2160)	5 337 (1410)	6,1 m (20 pi)
FPOS3200A FPOS3250A	1/2	12 113 (3200)	10 220 (2700)	7 571 (2000)	7,3 m (24 pi)
FPSC2200A FPSC2250A	1/3	10 599 (2800)	8 328 (2200)	5 299 (1400)	6,1 m (20 pi)
FPSC3200A FPSC3250A	1/2	12 113 (3200)	10 220 (2700)	7 570 (2000)	7,3 m (24 pi)

ESPECIFICACIONES ELECTRICAS Y DEL INTERRUPTOR

Modelo	HP del motor	Amperios con el motor a plena carga	Require un ramal individual (amperios)	Ajuste del interruptor en pulgadas (mm)	
				Marche	Arrêt
FPOS1800A	1/4	8,5	15	298 (11¾)	114 (4½)
FPOS1800LTS	1/4	8,5	15	298 (11¾)	114 (4½)
FPOS2400A	1/3	9,0	15	330 (13)	152 (6)
FPSC3200A	1/2	13,0	15	330 (13)	152 (6)
FPSC2200A	1/3	9,0	15	330 (13)	152 (6)
FPSC3200A	1/2	13,0	15	330 (13)	152 (6)
FPOS2450A	1/3	9,0	15	203 (8)	102 (4)
FPOS3250A	1/2	13,0	15	203 (8)	102 (4)
FPSC2250A	1/3	9,0	15	203 (8)	102 (4)
FPSC3250A	1/2	13,0	15	203 (8)	102 (4)

INFORMACION GENERAL SOBRE SEGURIDAD

Las bombas de sumidero eléctricas por lo regular duran muchos años sin sufrir problemas de servicio, cuando son instaladas, mantenidas y usadas correctamente. Sin embargo, las situaciones inusuales (interrupción del suministro eléctrico que va a la bomba, tierra o suciedad en el sumidero, inundación superior a la capacidad de la bomba, fallas eléctricas y mecánicas, etc.), pueden evitar que su bomba funcione como acostumbra. Para evitar posibles daños ocasionados por inundación de agua, consulte a su representante de ventas sobre la instalación de una bomba de sumidero con CA secundaria, una bomba de sumidero de respaldo con CD, y/o una alarma de alto nivel de agua. Consulte la "Tabla de solución de problemas" contenida en este manual para información sobre problemas comunes de la bomba de sumidero y soluciones. Para mayor información, visite a su representante de ventas, llame al Departamento de Servicio al Cliente de Flotec 1-800-365-6832, o visite nuestro sitio en Internet, www.flotecwater.com.

1. Infórmese sobre la aplicación, limitaciones y posibles riesgos de la bomba.
2. **No usar en agua en donde haya peces.**
3. Desconecte la energía eléctrica antes de efectuar reparaciones.
4. Alivie toda la presión dentro del sistema antes de reparar cualquier componente.
5. Drene toda el agua del sistema antes de efectuar reparaciones.
6. Asegure bien la tubería de descarga antes de poner en marcha la bomba. Una tubería de descarga que no esté bien segura puede moverse y causar lesiones personales y/o daños materiales.
7. Antes de cada uso, verifique si las mangueras están débiles o gastadas, asegurándose de que todas las conexiones estén firmes.
8. Inspeccione periódicamente el sumidero, la bomba y los componentes del sistema. Manténgala limpia de basuras y objetos extraños. Realice el mantenimiento de rutina como sea necesario.
9. Provea un medio de alivio de la presión para aquellas bombas cuya tubería de descarga puede bloquearse u obstruirse.
10. Seguridad Personal:
 - a. Use lentes protectores en todo momento cuando trabaje en la bomba.
 - b. Mantenga el lugar de trabajo limpio, despejado y debidamente iluminado - guarde todas herramientas y el equipo que no se use.
 - c. Mantenga a los visitantes a una distancia segura del lugar de trabajo.
 - d. Asegúrese de que su taller sea a prueba de niños - con candados, interruptores maestros y sacando las llaves del arrancador.
11. Cuando instale el cableado de una bomba accionada eléctricamente, siga todos los códigos eléctricos y de seguridad que correspondan.
12. **Esta bomba solamente se puede usar con corriente de 115 voltios (monofásica) y está equipado con un cordón aprobado de 3 conductores y 3 clavijas, del tipo de puesta a tierra.**

Para refacciones o asistencia, llame a Flotec Servicios al Cliente al: **1 800 365-6832**

ADVERTENCIA Para reducir el riesgo de choque eléctrico, desenchufe la bomba antes de repararla. No se ha comprobado aún si esta bomba pueda ser usada en albercas. La bomba es suministrada con un conductor de puesta a tierra y un enchufe del tipo de puesta a tierra. Asegúrese de que sea conectado solamente a un tomacorriente puesto a tierra, del tipo de puesta a tierra.

Si el tomacorriente mural es del tipo para 2 clavijas, éste debe ser reemplazado por un tomacorriente de 3 clavijas e instalado de acuerdo con los códigos y reglamentos que correspondan.

12. Todo el cableado debe ser efectuado por un electricista calificado.
13. Asegúrese de que la fuente de alimentación cumple con los requisitos de su equipo.
14. Proteja el cordón eléctrico contra objetos afilados, superficies calientes, aceite y productos químicos. Evite que se enrede. Reemplace o repare inmediatamente un cordón que esté dañado o gastado.
15. No toque un motor cuando esté funcionando. Los motores modernos están diseñados para funcionar a temperaturas muy altas.
16. No manipule la bomba o el motor de la bomba con las manos mojadas o cuando esté parado en suelo húmedo o mojado o en el agua.

ADVERTENCIA Tensión peligrosa. Puede causar choques eléctricos, quemaduras o muerte. Si su sótano tiene agua o humedad en el piso, no camine en el lugar mojado hasta que no haya cortado toda la energía eléctrica. Si la llave de paso está en el sótano, llame a la compañía eléctrica o a la compañía de electricidad para cortar el servicio a su casa o llame al departamento de bomberos de su localidad para solicitar instrucciones. Saque la bomba y repárela o reemplácela. El incumplimiento de esta advertencia puede resultar en un choque eléctrico mortal.

No levante la bomba por medio del cordón de corriente.

INSTALACION DEL INTERRUPTOR DE FLOTADOR

Los modelos que están equipados con interruptores de flotador verticales necesitan una pequeña labor de montaje. Consulte las instrucciones del Ensamblaje del Interruptor en la página 14. Los modelos con conmutador a flotador anclado están listos para su uso.

INSTALACION

1. Instale la bomba en el pozo del sumidero con un diámetro mínimo de 254 mm (10") para los modelos equipados con interruptores verticales y 356 mm (14") para los modelos con interruptores de flotador. El interruptor de flotador anclado. El sumidero debe tener 16" (406 mm) de profundidad para modelos anclados y 10" (254 mm) de profundidad para modelos con interruptores verticales. Construya el pozo del sumidero de baldosa, concreto, acero o plástico. Consulte los códigos municipales para verificar los materiales aprobados y las reglamentaciones de instalación adecuadas.
2. Instale la bomba en el pozo de manera que el mecanismo de operación del interruptor tenga el mayor juego posible.
3. La bomba no debe ser instalada en arcilla, tierra o superficies arenosas. Saque las piedritas y arenillas que puedan haber en el pozo del sumidero pues pueden obstruir la bomba. Mantenga limpio el filtro de admisión de la bomba.

AVISO: No use obturador de juntas de tubería en las

tuberías de plástico. El obturador de juntas de tubería puede dañar el plástico.

4. Instale la tubería de descarga. Use tuberías de plástico rígido y envuelva las roscas con cinta de Teflón™. Enrosque la tubería en la bomba a mano, y después apriétela 1-1/2 vueltas.

CUIDADO Riesgo de inundación. Si se usa una manguera de descarga flexible, asegúrese de que la bomba esté bien inmobilizada para que no pueda moverse dentro del sumidero. Si la bomba no está bien firme puede moverse y causar interferencia con el interruptor e impedir que la bomba se ponga en marcha o se detenga.

5. Para reducir el ruido y las vibraciones del motor, se puede conectar un pedazo corto de manguera de goma de un diámetro exterior de 47,6 mm (1 7/8"), (por ej. manguera de radiador) a la tubería de descarga cerca de la bomba, utilizando abrazaderas convenientes.
6. Instale una válvula de retención en la línea (Flotec No. FP0026-10D) o una válvula de retención dentro de la bomba (Flotec No. FP0026-6D) para evitar que el flujo retroceda a través de la bomba cuando la bomba está apagada.

AVISO: Si su válvula de retención no viene equipada con un orificio de purga de aire para impedir la creación de bolsas de aire en la bomba, perforo un orificio de 1/8" (3.2 mm) en la tubería de descarga, justo por encima del punto en que la tubería de descarga se atornilla a la descarga de la bomba. Verifique que el orificio quede debajo de la línea de agua y de la válvula de retención para impedir la creación de bolsas de aire.

7. Fuente de Alimentación: La bomba está diseñada para funcionar con corriente de 115 V., 60 Hz. y requiere un ramal individual mínimo de 15 amps. Tanto la bomba como el interruptor vienen con juegos de cordones de 3 conductores con enchufes del tipo de puesta a tierra. El enchufe del interruptor se enchufa directamente en el tomacorriente y el enchufe de la bomba se enchufa en el extremo opuesto del enchufe del interruptor.

ADVERTENCIA La bomba siempre debe ser puesta a tierra en una tierra eléctrica adecuada tales como una tubería en el agua que esté puesta a tierra o un conductor metálico debidamente puesto a tierra o un sistema de alambre de puesta a tierra. No corte la clavija redonda de puesta a tierra.

8. Si la tubería de descarga de la bomba está expuesta a temperaturas exteriores inferiores al punto de congelación, la porción expuesta de la tubería debe ser instalada de manera que toda agua que quede en la tubería se drene por gravedad hacia la descarga. El incumplimiento de esto puede causar que el agua atrapada en la tubería de descarga se congele, lo cual podría resultar en daño para la bomba.
9. Después de haber instalado la tubería, la válvula de retención y el conmutador a flotador, la unidad está lista para funcionar.
10. Verifique el funcionamiento de la bomba llenando el sumidero con agua y observando el funcionamiento de la bomba por un ciclo completo. Para las graduaciones del interruptor, consulte el gráfico de "Especificaciones Eléctricas y del Interruptor" que aparece en la página 12.

ADVERTENCIA El incumplimiento de esta verificación del funcionamiento puede resultar en funcionamiento impropio, falla prematura e inundación.

™ E.I. DuPont De Nemours and Company Corporation, Delaware.

Para refacciones o asistencia, llame a Flotec Servicios al Cliente al: **1 800 365-6832**

FUNCIONAMIENTO

⚠ ADVERTENCIA **Riesgo de choque eléctrico. No manipule la bomba o el motor de la bomba con las manos mojadas o cuando esté parado en suelo húmedo, mojado o en el agua.**

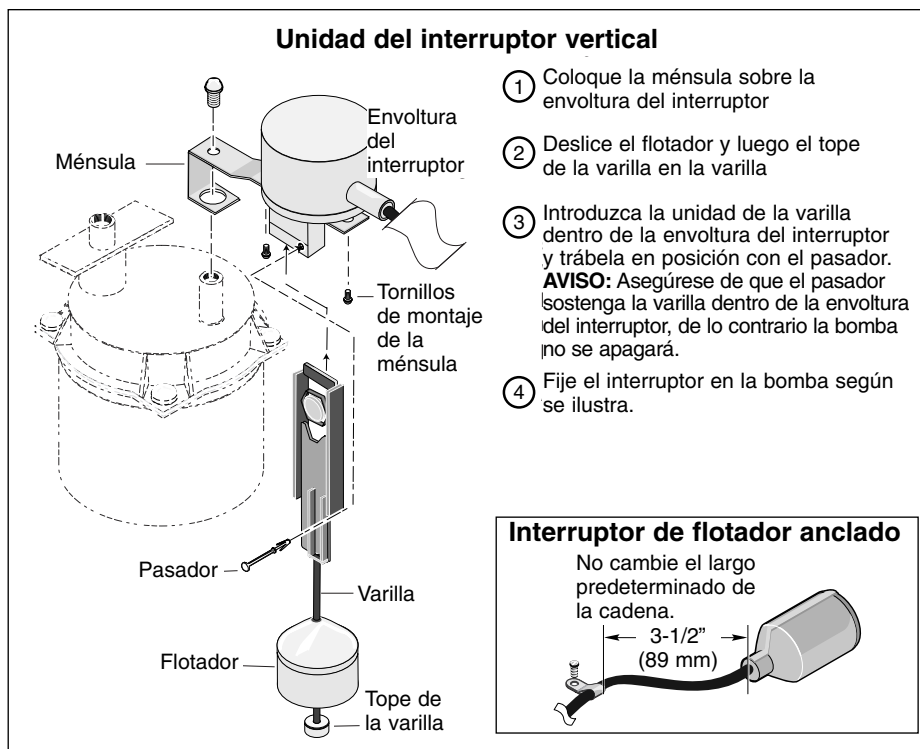
1. La junta del eje depende del agua para su lubricación. No haga funcionar la bomba a menos que esté sumergida en agua ya que la junta puede dañarse si se hace trabajar en seco.
2. El motor está equipado con un protector contra sobrecargas térmicas de reposición automática. Si la temperatura en el motor se eleva indebidamente, el interruptor puede cortar toda la energía antes de que se produzca daño al motor. Cuando el motor se ha enfriado suficientemente, el interruptor se reposicionará automáticamente y el motor volverá a ponerse en marcha. Si el protector se desengancha en forma continua, la bomba debe ser sacada y revisada para verificar cual es el problema. Baja tensión, cables de alargue largos, impulsor atascado, muy

baja altura de aspiración o elevación o una tubería de descarga tapada o congelada, etc. pueden hacer que se pase por el ciclo.

3. La bomba no saca toda el agua. La bomba no aspirará toda el agua. Si se está operando la bomba en forma manual y de repente no sale agua de la manguera de descarga, apague la unidad inmediatamente. Probablemente el nivel del agua es muy bajo y la unidad ha dejado de cebar.

AVISO: Para una operación continua, la profundidad del agua debe ser por lo menos de 12,7 cm (5 pulgadas) de manera de evitar que el motor se recaliente. Se prefiere una bomba totalmente sumergida para un enfriamiento adecuado cuando la bomba funcione en forma continua.

⚠ ADVERTENCIA **Riesgo de choque eléctrico. Antes de intentar revisar porque la bomba ha dejado de funcionar, desconecte la energía eléctrica.**

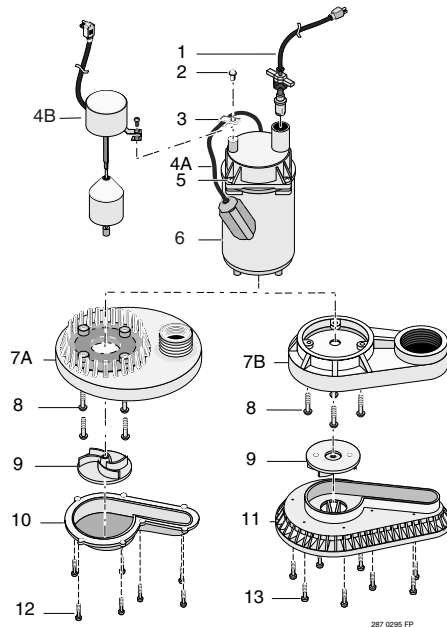


SERIE DE PLASTICO

FPOS1800A-08, FPOS1800LTS-08
 FPOS2400A-08, FPOS3200A-08
 FPOS2450A-08, FPOS3250A-08

SERIES DE HIERRO FORJADO

FPSC2200A-08, FPSC3200A-08
 FPSC2250A-08, FPSC3250A-08



Modelo	Impulsor	Cable de corriente
FPOS1800A-08	RP0000917	PS117-54-TSU
FPOS1800LTS-08	RP0000917	PS117-54-TSU
FPOS2400A-08	RP0000918A	PS117-54-TSU
FPOS2450A-08	RP0000918A	PS117-54-TSU
FPOS3200A-08	RP0000911A	PS117-53-TSU
FPOS3250A-08	RP0000911A	PS117-53-TSU
FPSC2200A-08	PS5-19P	PS117-54-TSU
FPSC2250A-08	PS5-19P	PS117-54-TSU
FPSC3200A-08	PS5-20P	PS117-54-TSU
FPSC3250A-08	PS5-20P	PS117-53-TSU

Ref.	Descripción	Cant.	FPOS2400A-08 FPOS1800A-08 FPOS1800LTS-08 FPOS3200A-08	FPOS2450A-08 FPOS3250A-08	FPSC2200A-08 FPSC3200A-08	FPSC2250A-08 FPSC3250A-08
1	Ensamblaje de cordón de corriente	1	See Chart	See Chart	See Chart	See Chart
2	Tornillo de abrazadera de cordón	1	U30-955PS	-	U30-955PS	-
3	Abrazadera de cordón del conmutador flotación	1	CC0030-13	-	CC0030-13	-
4A	Unidad del interruptor de flotador anclado†	1	FP18-15BD	-	FP18-15BD	-
4B	Unidad del interruptor de flotador vertical	1	-	FPS17-66	-	FPS17-66
5	Tornillo, cabeza hexagonal, #8-32x7/8"	4	U30-951PS	-	U30-951PS	U30-951PS
6	Motor	1	**	**	**	**
7A	Voluta (superior)*	1	PS1-31P	PS1-31p	-	-
7B	Voluta (superior)	1	-	-	PS1-24B	PS1-24B
8	Tornillo, cabeza de cono achatado Phillips, #8-32x5/8"	4	U30-912PS	U30-912PS	U30-912PS	U30-912PS
9	Impulsor	1	Voir tableau	Voir tableau	Voir tableau	Voir tableau
10	Voluta (inferior)	1	PS1-30P	PS1-30P	-	-
11	Placa de asiento	-	-	-	PS4-18P	PS4-18P
12	Tornillo, cabeza grande de cono achatado, #8-16x1/2"	7	U30-956ZP	U30-956ZP	-	-
13	Tornillo, cabeza de cono achatado, #8-32x1/2"	8	-	-	U30-571BT	U30-571BT

**Si el motor está defectuoso. Reemplace la bomba.

* Los modelos FPOS1800 usan el Repuesto No. PS1-32P (no ilustrado).

† Los modelos FPOS3200A-08 y FPSC3200-08 usan el interruptor con número de repuesto PS217-57.

Para refacciones o asistencia, llame a Flotec Servicios al Cliente al: I 800 365-6832

GUÍA PARA LA RESOLUCIÓN DE PROBLEMAS

SÍNTOMA	CAUSA PROBABLE	MEDIDA CORRECTIVA
La bomba no arranca ni funciona.	La bomba no está enchufada. El nivel de agua está demasiado bajo. Un fusible se ha quemado. El voltaje de línea es demasiado bajo. El motor está defectuoso. El interruptor del flotante está defectuoso. El rodete no gira. El brazo del flotador es demasiado largo. El movimiento del flotante está obstruido.	Verifique que la bomba esté enchufada en un tomacorriente adecuado. El interruptor de la bomba no se conecta a menos que el agua cubra la parte superior de la bomba. Si el fusible está quemado, sustitúyalo con un fusible de la capacidad correcta. Si el voltaje está por debajo del mínimo recomendado verifique en el edificio el diámetro del alambre desde el interruptor principal. Si es el correcto, comuníquese con la empresa de electricidad o la autoridad hidroeléctrica. Reemplace la bomba. Reemplace el interruptor del flotante. Si el rodete no gira, saque el cuerpo inferior de la bomba y ubique el lugar donde el rodete se trava. Acorte el brazo del flotante. Retire las obstrucciones.
La bomba se pone en marcha y se detiene con demasiada frecuencia.	Hay retroceso de agua de la tubería. El interruptor del flotante está fallado.	Instale una válvula de retención. Reemplace el interruptor del flotante.
La bomba no se desconecta.	Interruptor defectuoso del flotante. Descarga obstruida (obstáculos o hielo en las tuberías). El brazo del flotante es demasiado largo. El movimiento del flotante está obstruido. Tamiz de admisión restringido.	Reemplace el interruptor del flotante. Retire la bomba y limpie la bomba y la tubería. Acorte el brazo del flotante. Retire las obstrucciones. Saque la bomba y limpie el tamiz de admisión y el impulsor.
La bomba funciona pero el caudal es reducido o nulo.	El voltaje de línea es baja. Algo se ha quedado trabado en el rodete. El rodete tiene piezas desgastadas o defectuosas. Válvula de retención instalada sin el orificio de purga. Tamiz de admisión restringido. Verifique que la válvula no esté instalada hacia atrás o invertida.	Si el voltaje es inferior al mínimo recomendado, verifique el diámetro del alambre que va desde el interruptor principal en el edificio. Si es el correcto comuníquese con la empresa de electricidad. Saque la bomba y limpie el impulsor. Limpie el rodete si está taponado, en caso contrario reemplace la bomba. Perfore un agujero de 1/16 a 1/8 pulg. (1.6 a 2 mm) de diámetro entre la descarga de la bomba y la válvula de retención (1-2" por encima del punto en que la tubería de descarga se atornilla a la descarga de la bomba y por debajo de la línea de agua). Saque la bomba y limpie el tamiz de admisión. Asegúrese de que la válvula de retención esté debidamente instalada.

ADHIERA AQUÍ EL RECIBO ORIGINAL PARA VALIDACION DE GARANTÍA

Garantía Limitada de Flotec

FLOTEC garantiza al comprador consumidor original ("Comprador") de sus productos, que éstos se encuentran libres de defectos de material o mano de obra.

Si dentro de los doce (12) meses de la fecha original de la compra cualquiera de los productos demostrara estar defectuoso, el mismo será reparado o reemplazado, a opción de FLOTEC con sujeción a los términos y condiciones expuestos a continuación. Se requiere su recibo original de compra para determinar si se encuentra bajo garantía.

Excepciones a la Garantía por Doce (12) Meses

Garantía de noventa (90) días

Si se comprueba que una Bomba de Perforación, una Bomba de Émbolo Buzo o un Cartucho de Filtro de Agua en línea, tienen defectos, dentro de los noventa (90) días a partir de la compra del consumidor original, éstos serán reemplazados, sujeto a las condiciones indicadas a continuación.

Garantía de dos (2) años

Si se comprueba que una Bomba Sumergible de Sumidero de 1/3 CV o Modelo FP2800DCC tiene defectos, dentro de los dos (2) años a partir de la compra del consumidor original, ésta será reparada o reemplazada, a opción de FLOTEC, sujeto a los términos y a las condiciones indicadas a continuación.

Garantía de tres (3) años

Si se comprueba que una Bomba Sumergible de Pozo de 4", o una Bomba Sumergible de Sumidero de 1/2 CV tienen defectos, dentro de los tres (3) años a partir de la compra del consumidor original, éstas serán reparadas o reemplazadas, a opción de FLOTEC, sujeto a los términos y a las condiciones indicadas a continuación.

Garantía de cinco (5) años

Si se comprueba que un tanque precargado del sistema de agua tiene defectos, dentro de los cinco (5) años a partir de la compra del consumidor original, éste será reparado o reemplazado, a opción de FLOTEC, sujeto a los términos y a las condiciones indicadas a continuación.

Términos y Condiciones Generales

El comprador debe pagar todos los gastos de mano de obra y transporte necesarios para reemplazar el producto cubierto por esta garantía. Esta garantía no se aplicará a hechos de fuerza mayor, ni se aplicará a los productos que, a juicio exclusivo de FLOTEC, hayan sido objeto de negligencia, abuso, accidente, aplicaciones contraindicadas, manejo indebido, alteraciones; ni debido a instalación, funcionamiento, mantenimiento o almacenaje incorrectos; ni a ninguna otra cosa que no sea su aplicación, uso o servicio normales, incluyendo, pero no limitado a, fallas operacionales causadas por corrosión, oxidación u otros elementos extraños en el sistema, o funcionamiento a presión por encima del máximo recomendado.

Los pedidos de servicio bajo los términos de esta garantía serán efectuados mediante la devolución del producto defectuoso al Vendedor o a FLOTEC, tan pronto como sea posible, después de localizado cualquier supuesto defecto. FLOTEC tomará luego acción correctiva, tan pronto como sea razonablemente posible. Ningún pedido de servicio bajo esta garantía será aceptado si se recibe más de 30 días después del término de la garantía.

Esta garantía establece la obligación única de FLOTEC y el remedio exclusivo del comprador en el caso de productos defectuosos. FLOTEC NO SERÁ RESPONSABLE POR NINGÚN DAÑO CONSECUENTE, INCIDENTAL O CONTINGENTE DE NINGUNA NATURALEZA. LAS GARANTÍAS ANTERIORES SON EXCLUSIVAS Y REEMPLAZAN CUALESQUIERA OTRAS GARANTÍAS EXPRESAS. LAS GARANTÍAS IMPLÍCITAS DE COMERCIABILIDAD Y APTITUD PARA UN PROPÓSITO EN PARTICULAR, NO DEBERÁN EXCEDER EL PERÍODO DE DURACIÓN DE LAS GARANTÍAS EXPRESAS APLICABLES AQUÍ PROVISTAS.

Algunos estados no permiten la exclusión o limitación de daños incidentales o consecuentes ni las limitaciones respecto a la duración de garantías implícitas; de modo que las limitaciones o exclusiones precedentes pueden no aplicarse en su caso. Esta garantía le concede derechos legales específicos. Usted puede tener, además, otros derechos que varían de un estado a otro.

FLOTEC • P.O. Box 342 • Delavan, WI U.S.A. 53115
Teléfono: 1-800-365-6832 • Fax: 1-800-526-3757
e-Mail (correo electrónico): info@flotecwater.com • Dirección web: http://www.flotecwater.com