

Variable Speed Means Constant Pressure



Flojet Rewrites the Book on Small Pump Control

The new R4400 Sensor VSD™ provides pulse free constant pressure operation on any DC voltage from 10 – 29 volts. Operation from no flow to maximum flow is system controlled, eliminating unwanted pump cycling and the need for an accumulator tank. The system provides reduced amp draw and ultra quiet operation when less than maximum flow is required. Standard features include soft start to reduce splash, thermal overload, over-current and reverse polarity protection.

HOW IT WORKS

- **Hall Effect Sensor (Patent Pending)** continuously monitors pump outlet pressure
- **Micro Controller System (Patent Pending)** varies motor speed to maintain constant pressure
- **Automatically adjusts** when flow or supply voltage fluctuate

Flojet



ITT Industries

FLOJET

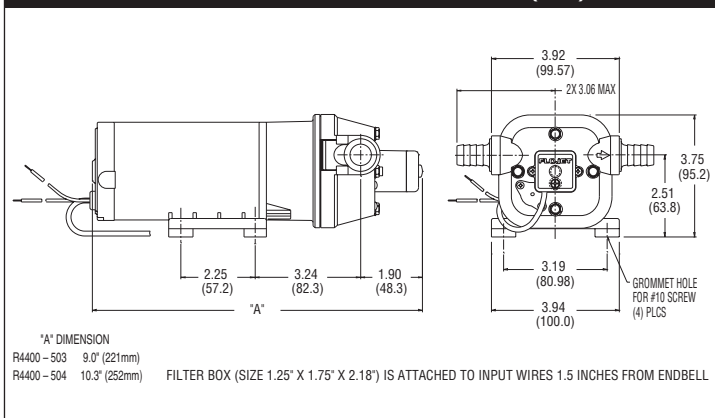
Sensor VSD™ makes system design easy. It automatically adjusts in real time to changes in flow due to the number of nozzles in operation, filter back pressure, and changes in working fluid viscosity ... so you don't have to.

The Sensor VSD™ constant pressure pump system matches motor speed to system demand. As more liquid is needed, the motor responds to increase flow. Conversely, as the demand lessens the motor slows to a "super quiet" speed, always maintaining a constant system pressure. The result is exceptional pulse free flow and very low amp draw.

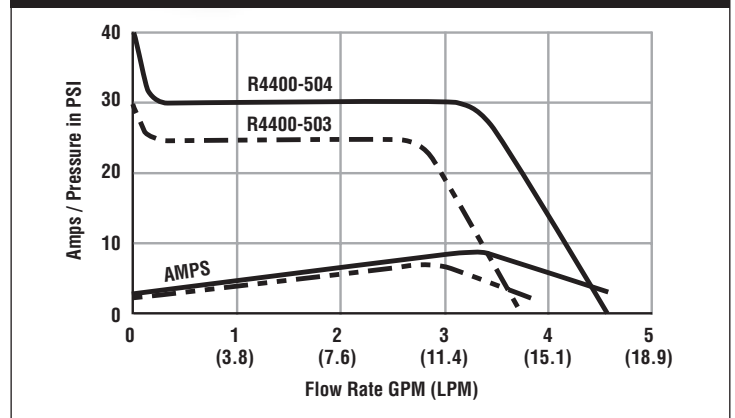
PRODUCT FEATURES

- Micro Controller System Maintains Constant Pressure
- Automatically Adjusts to 12V or 24V DC Operation
- Hall Effect Pressure Sensor - Patent Pending
- No Mechanical Switch, Points, or Contacts
- Reduced Amp Draw at Low Flow Rates
- CSA Listed for US and Canadian Sales
- Space Saving, Eliminates Accumulator Tank

DIMENSIONAL DRAWING Inches (mm)



PUMP CURVE



Model Number	Supply Voltage	Amp Draw 12V (24V)	Max Fuse	Flow GPM (LPM)	Sensor Pressure	Shut-Off Pressure	Inlet Strainer
R4400-503	12-24V DC	8.0A (4.0)	15A	3.7 (13.5)	25 psi (1.7 bar)	35 psi (2.8 bar)	Yes
R4400-504	12-24V DC	12.0A (6.0)	15A	4.5 (16.3)	30 psi (2.1 bar)	40 psi (2.8 bar)	Yes

USA

Flojet®
 Tel: 949.859.4945
 Fax: 949.859.1153

UK

Jabco
 Tel: +44 (0)1992 450145
 Fax: +44 (0)1992 467132

CANADA

Fluid Products Canada
 Tel: 519.821.1900
 Fax: 519.821.2569

GERMANY

Jabco GmbH
 Tel: +49-40-53 53 73-0
 Fax: +49-40-53 53 73-11

JAPAN

NHK Jabco Company Ltd.
 Tel: 045.4758906
 Fax: 045.4758908



Flojet