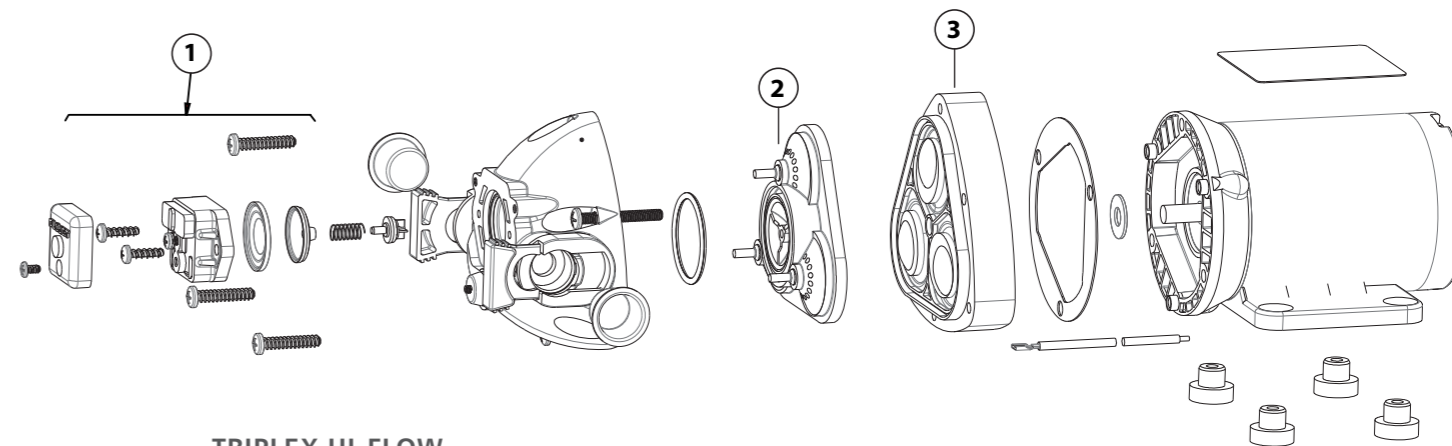


Triplex Reference

Disassemble Pump Housing

1. Disconnect power to the pump motor. Relieve system pressure. Disconnect inlet and outlet hoses.
2. Remove the pressure switch cover and remove the two wire leads from the switch space connectors.
3. Remove the six screws from the upper housing.
4. Remove the upper housing from the check valve and diaphragm / lower housing assemblies.



Check Valve Assembly

(To replace check valve only follow steps 1 through 6)

5. The check valve chamber and o-ring are located on the diaphragm / lower housing assembly.
6. Remove the check valve chamber subassembly from the diaphragm / lower housing subassembly (pull the valve chamber from the diaphragm).

TRIPLEX HI-FLOW

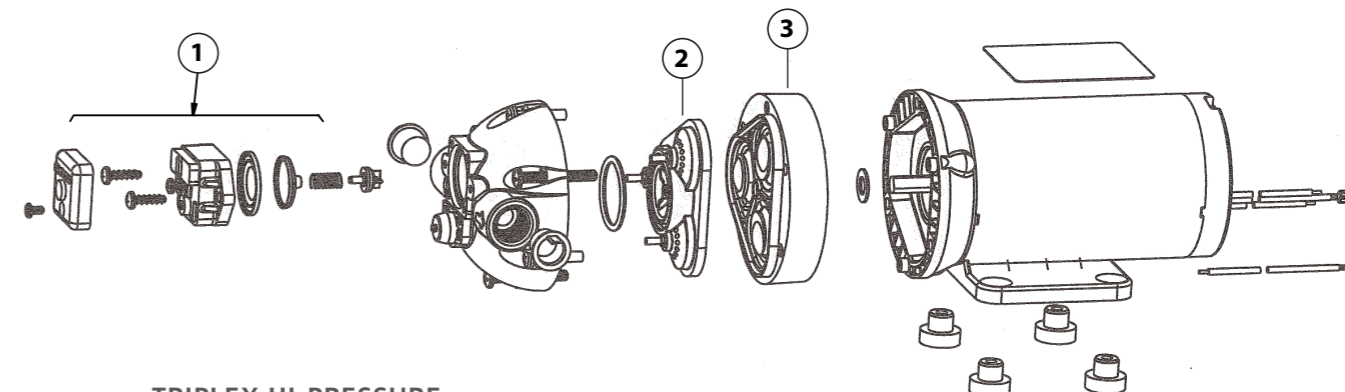
PART NO.	PRESSURE SWITCH	CHECK VALVE	DIAPHRAGM
R3521139	02091060	20407021	21040643
R3521149	02091060	20407034	21040643
R3521339	02091060	20407021	21040643
R3521349	02091060	20407034	21040643

Diaphragm / Cam / Lower Housing Assembly:

7. Remove the diaphragm / lower housing assembly from the motor from end bell adaptor.

Reassemble Pressure Switch Assembly

1. Install the switch diaphragm into upper housing NOTE: Check the old diaphragm for material mark located in the center of the new diaphragms. V is for VITON, and E is for EPDM. Select the correct material for the installation.
2. Install the switch body over the diaphragm, align the screw holes and install the two mounting screws.
3. Reinstall the two wires onto the spade connectors, then install the switch cover and screw.



Check Valve Assembly

4. Install the o-ring into the o-ring groove located on the discharge side of the check assembly.
5. Install the check valve chamber assembly into the diaphragm, thus aligning the check valve chamber with the diaphragm seal walls (push in to secure the diaphragm).

TRIPLEX HI-PRESSURE

PART NO.	PRESSURE SWITCH	CHECK VALVE	DIAPHRAGM
R3111500	NA	20407035	21040142A
R3111501	NA	20407035	21040142A
R3710242	02091100	20407035	21040142A
R3710502	02091100	20407035	21040142A
R3711132	02091100	20407033	21040142A
R3711142	02091100	20407035	21040142A
R3711232	02091100	20407033	21040142A
R3711242	02091100	20407035	21040142A
R3711332	02091100	20407033	21040142A
R3711342	02091100	20407035	21040142A
R3811132	02091150	20407033	21040142A
R3811142	02091150	20407035	21040142A
R3811232	02091150	20407033	21040142A
R3811242	02091150	20407035	21040142A
R3811332	02091150	20407033	21040142A
R3811342	02091150	20407035	21040142A
R3F14242	NA	20407035	21040142A

Upper Housing Assembly

6. With the check valve chamber subassembly installed on the diaphragm, place the upper housing assembly onto the pre-assembled lower housing subassembly.
7. Lube the motor shaft with a small amount of light grease; align the cam with the motor "D" shaft and motor list, then slide the cam onto the motor shaft.
8. Check the discharge location (see arrow on front of port) for correct port orientation (discharge right is the standard position).
9. Install the six pump head screws through the upper housing, 3 screws will engage to lower housing. The other 3 screws will go through the lower housing into the front end bell assembly aligning the 3 pins on the front bell with the 3 holes on the lower housing and tighten securely.