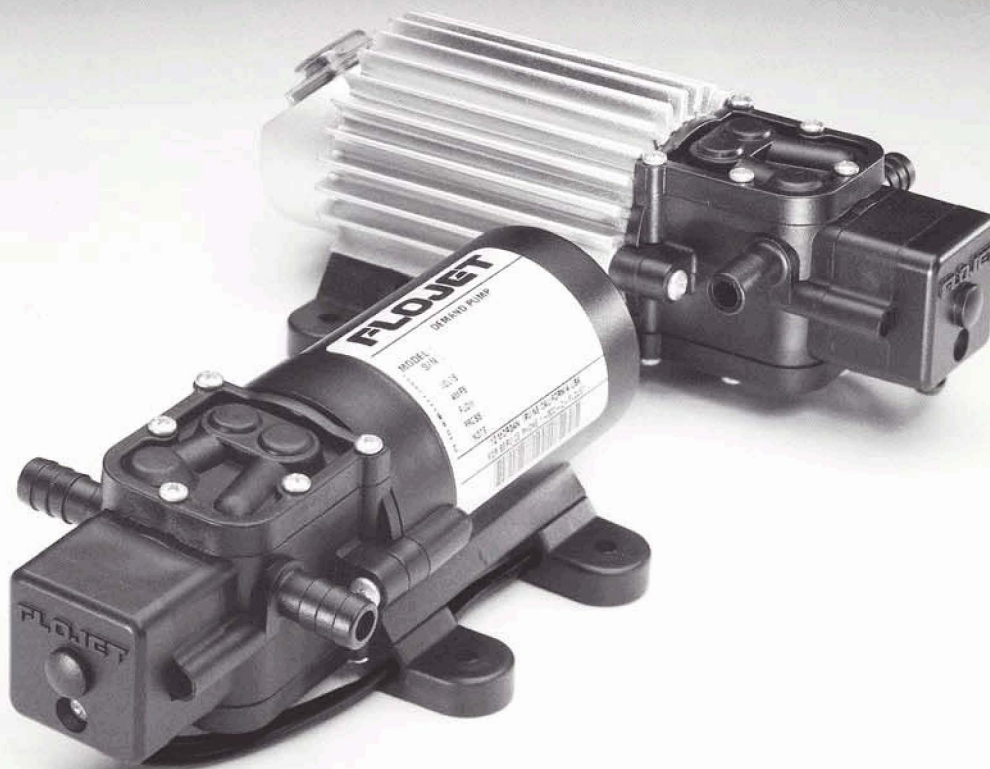


# MINI DEMAND PUMPS



## LF 12

### Duplex Diaphragm Design

- Compact Design Measuring 6.4" (162 mm) in Length
- Fully Automatic Demand Pump
- Self-priming and Can Operate Dry Without Damage
- Built-in Thermal Protector
- Sealed Pressure Switch and Motor
- Flow Rates to 1.0 GPM (3.8 L/min.) and Operating Pressures to 25 PSI (1.7 bar)

## LF 11

### Duplex Diaphragm Design with Fin Cooled Motor

- Compact Design Measuring 6.8" (173 mm) in Length
- Fully Automatic Demand Pump
- Sealed External On/Off Switch
- Self-priming and Can Operate Dry Without Damage
- Sealed Motor with Protective Cooling Fin Cover and Fuse
- Flow Rates to 1.0 GPM (3.8 L/min.) and Operating Pressures to 25 PSI (1.7 bar)

# FLOJET

## SPECIAL FEATURES

### LF 12 SERIES

- Compact automatic demand pump.
- Sealed pressure switch automatically starts and stops pump when discharge valve is opened and closed.
- Self-priming so pump can be located above supply tank.
- Can run dry for extended periods of time without damage.
- Built-in thermal protector.
- Low amp draw for battery powered applications.
- Soft compliant Santoprene® mounting system.

## SPECIFICATIONS - LF12 AND LF11 SERIES

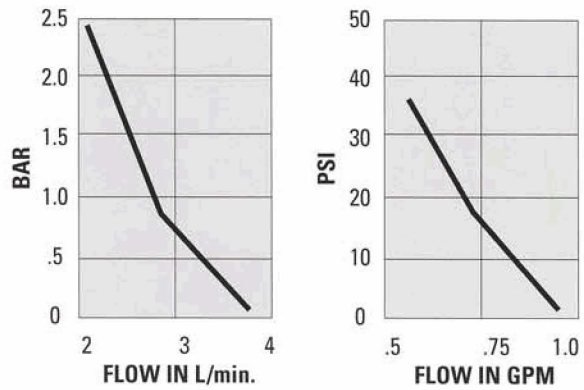
Pump Design	Reciprocating Diaphragm
Flow Rate	1.0 GPM (3.8 L/min.) Nominal @ Open Flow
Duty Cycle	Intermittent
Wetted Parts	Housing ..... Polypropylene Diaphragm ..... Santoprene® Check Valve ..... Viton® or EPDM Check Valve Spring ..... 316 Stainless Steel
Minimum Tip Size	#8 Tip, .072" (1.83 mm) Diameter
Port Type	3/8" (9.5 mm) Hose Barb
Operating Pressure	25 PSI (1.7 bar) Maximum
Pressure Switch Setting	35 PSI (2.4 bar) Off 25 PSI (1.7 bar) On
Self-Priming	Up to 2.5 ft (.76 m) Vertically
Liquid Temperature	110°F (43°C) Maximum
Motor type	Permanent Magnet Motor
Motor Voltage	12 VDC
Current	2.5 Amp Nominal @ 25 PSI (1.7 bar)
Approvals	CE

## SPECIAL FEATURES

### LF 11 SERIES

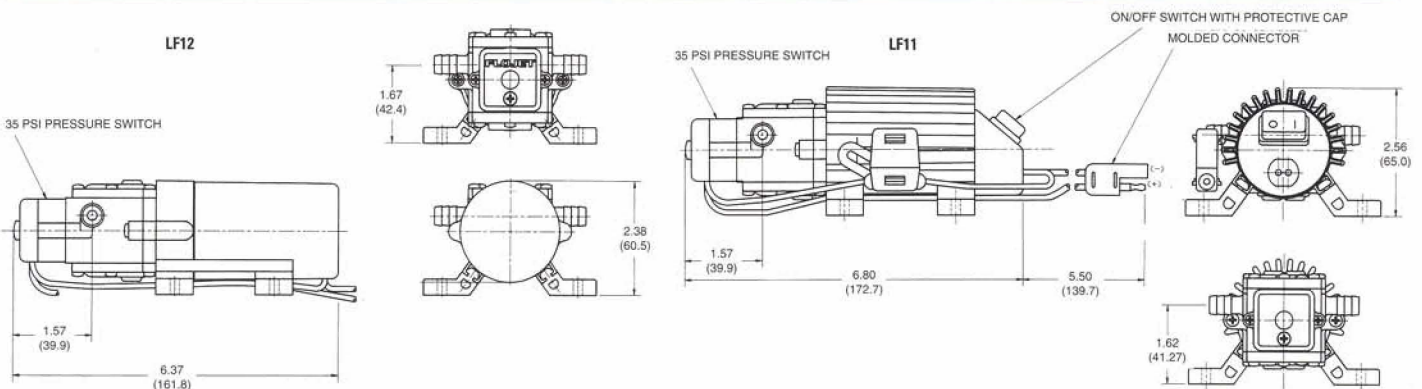
- Compact pump design.
- Sealed pressure switch automatically starts and stops pump when discharge valve is opened and closed.
- Self-priming and can operate dry without damage.
- Sealed motor with protective metal cooling finned cover.
- Integral 5 amp in-line fuse with cover.
- Manual on/off switch with protective cap so pump can be turned off when supply tank is empty.
- Soft compliant Santoprene® mounting system.

## PERFORMANCE - LF12 AND LF11 SERIES



Model No.	Diaphragm	Check Valve	Pressure Switch Setting PSI (bar)	Manual On/Off Switch	Motor Housing	Protection
LF112201	Santoprene	Viton	35 (2.4)	Yes	Metal Finned	Fuse
LF122201	Santoprene	Viton	35 (2.4)	No	Plastic	Thermal
LF122202	Santoprene	EPDM	35 (2.4)	No	Plastic	Thermal
LF122002	Santoprene	EPDM	No Switch	No	Plastic	Thermal

## DIMENSIONS inches (mm)



# FLOJET

For further information, contact your FLOJET representative, or write to:

**FLOJET CORPORATION**  
 12 Morgan • Irvine, CA 92618-2092  
 Tel: 1-949-859-4945  
 1-800-2 FLOJET  
 Fax: 1-949-859-1153

**FLOJET (EUROPE) LTD.**  
 Unit 1, Avant Business Centre  
 Denbigh West Industrial Estate  
 Milton Keynes, Bucks, England MK1 1DL  
 Tel: 44-1908-370088 • Fax: 44-1908-373731