

FEATURES

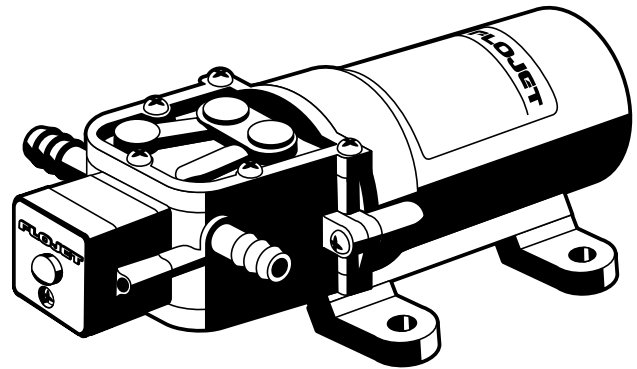
- Self-Priming
- Dry Running
- Automatic Operation (-202)
- Manual Demand (-002)
- Meets U.S.C.G. Electrical Requirements
- CSA listed
- IAPMO listed

SPECIFICATIONS

Motor: Permanent Magnet, Thermally Protected.
Intermittant Duty

Pump: Two chamber opposed double diaphragm design; Self-priming up to 4 ft. suction lift; Pump able to run dry without damage. Intermittant duty.

Port: Pump housing inlet and outlet are 3/8" hose barb.



Model LF-12 Series



Pump Series	Dimensions - Inches (mm)			Weight lb. (kg)
	Height	Width	Length	
LF 122-202	2.28 (58)	3.5 (89)	6.37 (162)	1.3 (0.60)
LF 122-002	2.28 (58)	3.5 (89)	5.37 (136)	1.2 (0.55)

MODEL*	VOLTS	AMP DRAW @ 10 psi (0.7 bar)	FUSE** REQ'RD	FLOW GPM (l/min)	PRESSURE SWITCH PSI (BAR)	
					ON	OFF
LF 122-202	12V dc	1.9	4A	1.4 (4.3)	22 (1.5)	35 (2.4)
LF 122-002	12V dc	1.9	4A	1.4 (4.3)	No Pressure Switch	

*CE fully suppressed models are identified by a prefix "R" and a CE mark on the label. (i.e. RLF122-202)
Self Declaration Of Conformance (SDOC) is available upon request.

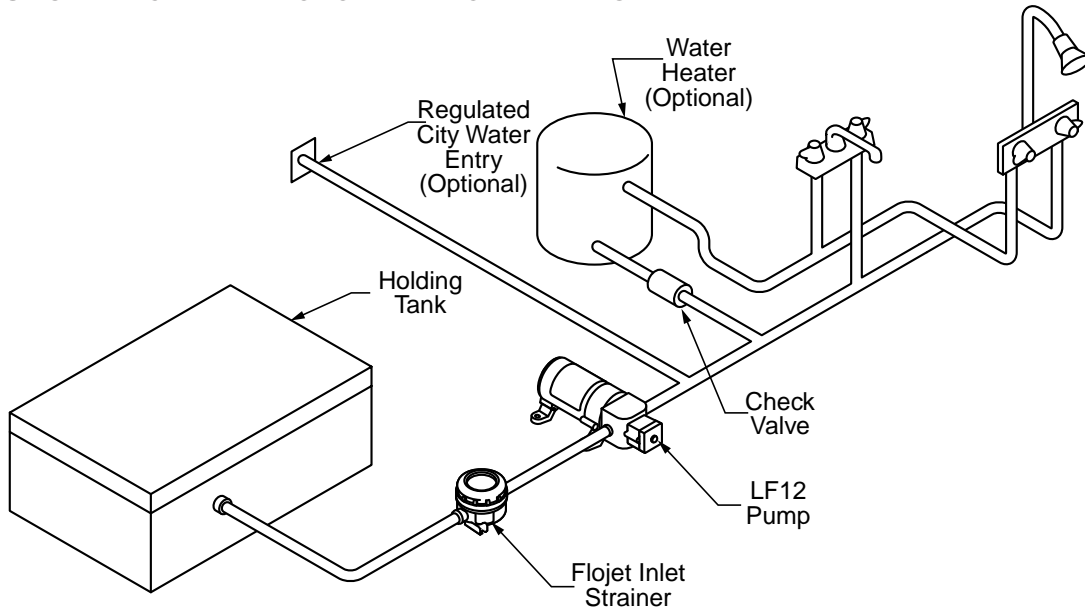
**4A fuse must be installed to meet CSA requirements.

OPERATION FOR WATER SYSTEM PUMPS

The FLOJET LF-12 series pumps are available as automatic and manual demand pumps. The LF122-202 will automatically turn on when a fixture is opened and turn off when all fixtures are closed. The LF122-002 is a manual demand pump for use with an electric faucet.

When starting up an automatic demand pump with a completely dry system allow time for the demand pump to fill the system. Open a faucet, allow air to vent and close faucet when water flow is steady. Faucet strainers and aerators should be cleaned regularly.

AUTOMATIC WATER SYSTEM INSTALLATION



INSTALLATION

STEP 1

Remove shipping caps from pump ports. Some water from factory testing may spill out.

STEP 2

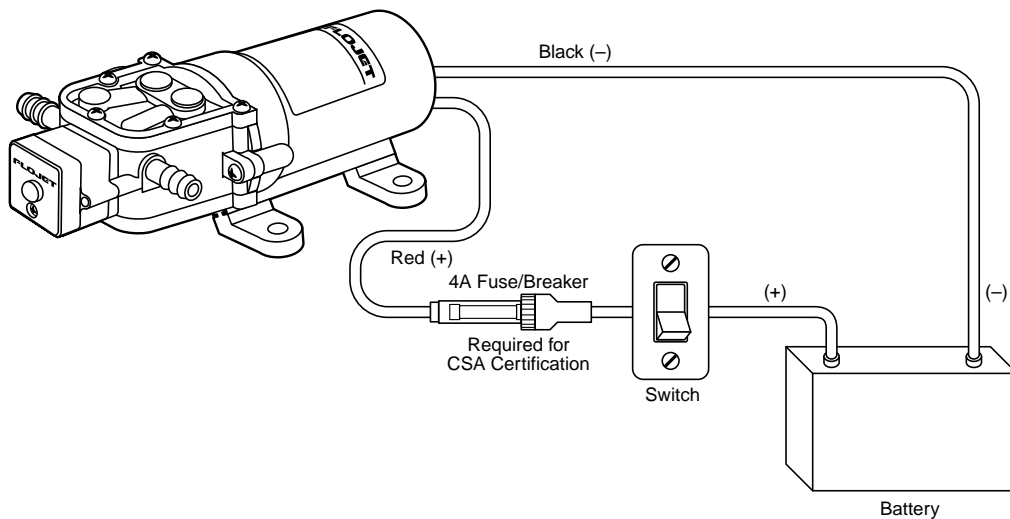
Mount pump vertically, with pump head down or horizontally in an accessible location. Do not compress feet with mounting screws.

STEP 3

Use 3/8" I.D. flexible hose (preferably braided or reinforced). Use hose clamps on the slip-on hose barb connectors.

STEP 4

Install a Flojet inlet 40 mesh strainer in an accessible location (for inspection and cleaning) between the tank and pump inlet. This strainer or equivalent is required for pump warranty to be valid.



WIRING

In an easily accessible location, install a switch to control electricity to the pump. Turn the pump off when not in use for extended periods, when traveling or when tank is out of water.

A 4 amp. fuse should be installed in the positive line with the pump being its only load.

Wire size based on total wire length, both positive and negative leads.

0 - 30 ft.	#16 AWG
30 - 60 ft.	#14 AWG
60 - 80 ft.	#12 AWG

TROUBLESHOOTING

WARNING: BEFORE SERVICING PUMP, TURN OFF PUMP AND DRAIN WATER FROM SYSTEM!!

Pulsating Flow - Pump cycles on and off

- Restricted pump delivery. Check discharge lines, fittings and valves for clogging or restrictions.

Failure to Prime - Motor operates, but no pump discharge

- Restricted intake or discharge line. Open all fixtures, check and clean clogged inline strainer
- Air leak in intake line
- Punctured pump diaphragm (water leak)
- Defective pump check valve
- Crack in pump housing
- Debris in check valves

Motor Falls To Turn On

- Pump switch in off position
- Loose wiring connection
- Blown fuse

- Pressure switch failure
- Defective motor
- Thermal overload (Let cool)

Pump Falls to Turn Off After All Fixtures Are Closed

- Water tank is empty
- Discharge line leak
- Defective pressure switch
- Punctured pump diaphragm (water leak)

Low Flow and Pressure

- Air leak at pump intake
- Accumulation of debris inside pump and plumbing
- Worn pump bearing (excessive noise)
- Punctured pump diaphragm (water leak)
- Defective motor

SERVICE

1. Pressure Switch Replacement:

- a. Remove cap on front of switch and remove the two spade connectors and wire leads.
- b. Remove two switch mounting screws and lift switch off pump head.
- c. Remove sealing O-Ring and teflon diaphragm (white disk).
- d. To replace switch reverse these steps starting with inserting teflon diaphragm, then O-Ring seal before fitting new switch in place.

2. Check Valve and Diaphragm Replacement:

- a. Remove 5 screws from top or bottom of pump. But not both top and bottom at the same time. Pry cover loose and lift straight up.
- b. Remove spring and inlet valve. Lift front of diaphragm up and remove outlet poppet and smaller spring.
- c. Clean the seats and seals and replace them back as they were.

NOTE: Service beyond this is not recommended without factory instructions.

PUMP SERVICE PARTS

Description	Model #	
	LF-122-202	LF 122-002
Pump Head Repair Kit	20908-001A	
Motor/Housing Kit	20950-001A	20950-001A
Pressure Switch Assy.	2090-104	

STRAINERS

Pump Series	Strainer Number	Inlet	Outlet	Screen
LF-12	1740-003	3/8 Barb	3/8 Barb	40 Mesh

WARRANTY

FLOJET warrants this product to be free of defects in material and/or workmanship for a period of one year after purchase by the customer from FLOJET. During this one year warranty period, FLOJET will at its option, at no charge to the customer, repair or replace this product if found defective in material or workmanship, with a new or reconditioned product, but not to include costs of removal or installation.

This is only an overview of our limited warranty. If you would like a copy of our warranty, please call or write FLOJET.

RETURN PROCEDURE

Prior to returning any product to FLOJET, call customer service for an authorization number. This number must be written on the outside of the shipping package. Place a note inside the package with an explanation regarding the reason for return as well as the authorization number. Include your name, address and phone number.

Flojet



ITT Industries
Engineered for life

U.S.A.
Flojet
20 Icon
Foothill Ranch, CA 92610-3000
Tel: (949) 859-4945
Fax: (949) 859-1153

UNITED KINGDOM
Jabsco/Flojet
Bingley Road, Hoddesdon
Hertfordshire EN11 OBU
Tel: +44 (0) 1992 450145
Fax: +44 (0) 1992 467132

CANADA
Fluid Products Canada
55 Royal Road
Guelph, Ontario N1H 1T1
Tel: (519) 821-1900
Fax: (519) 821-2569

JAPAN
NHK Jabsco Company Ltd.
3-21-10, Shin-Yokohama
Kohoku-Ku, Yokohama, 222
Tel: 045-475-8906
Fax: 045-475-8908

GERMANY
Jabsco GmbH
Oststrasse 28
22844 Norderstedt
Tel: +49-40-53 53 73-0
Fax: +49-40-53 53 73-11