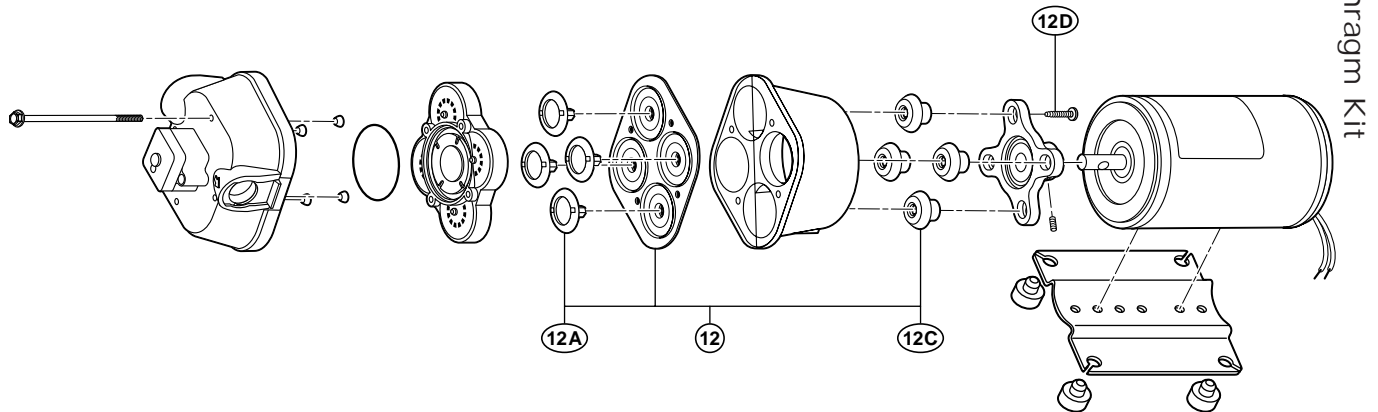


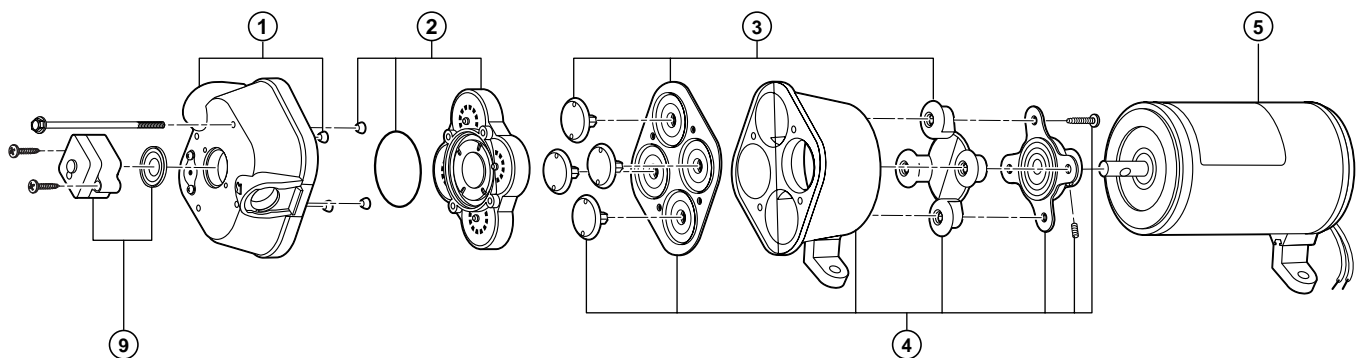
OLD STYLE QUAD



If you are installing a diaphragm in an older style Quad (1987-1993)

1. You must reuse 4 old outer pistons (12C) and old screws (12D)
2. Replace inner pistons with new inner pistons (12A)
3. DO NOT USE the new style outer piston plate and new screws supplied in this kit.

NEW STYLE QUAD



If you are installing a new diaphragm in a newer style Quad (1994 to present), use all parts and screws included in this kit.

Flojet



ITT Industries
Engineered for life

U.S.A.
Flojet
20 Icon
Foothill Ranch, CA 92610-3000
Tel: (949) 859-4945
Fax: (949) 859-1153

UNITED KINGDOM
Jabscos/Flojet
Bingley Road, Hoddesdon
Hertfordshire EN11 0BU
Tel: +44 (0) 1992 450145
Fax: +44 (0) 1992 467132

CANADA
Fluid Products Canada
55 Royal Road
Guelph, Ontario N1H 1T1
Tel: (519) 821-1900
Fax: (519) 821-2569

JAPAN
NHK Jabscos Company Ltd.
3-21-10, Shin-Yokohama
Kohoku-Ku, Yokohama, 222
Tel: 045-475-8906
Fax: 045-475-8908

GERMANY
Jabscos GmbH
Oststrasse 28
22844 Norderstedt
Tel: +49-40-53 53 73-0
Fax: +49-40-53 53 73-11