

INSTALLATION & SERVICE INFORMATION (115 & 230 VOLTS AC)

DESCRIPTION

FLOJET Triplex Series Water Booster System is designed to provide a constant water pressure of up to 100 psi (6.9 bar) and a maximum flow rate of 1.4 gpm (5.6 lpm) at 10 psi (0.7 bar). The pump is fully automatic, with an integral pressure switch and check-valve to maintain system pressure and will supply a smooth water flow at various requirement levels.

SPECIAL FEATURES

- Highest capacity for its size
- Ultimate performance and reliability, with extended service life
- Over 100% increase in draw-down volume vs competitive models

APPLICATIONS

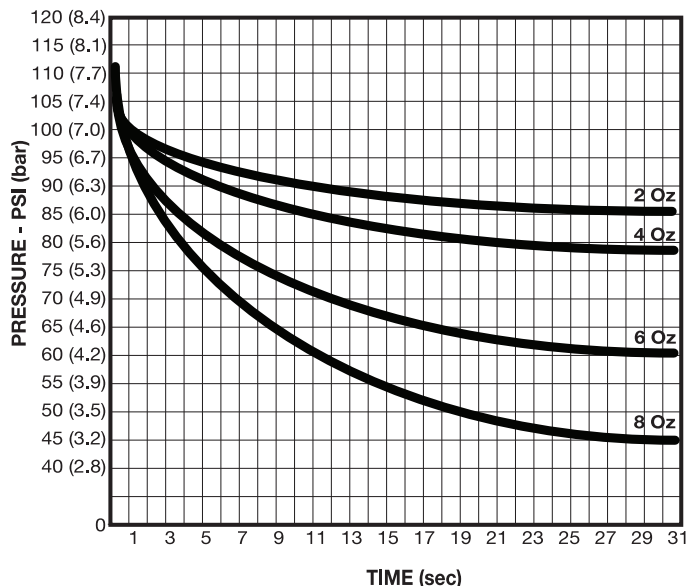
Provides constant pressure water supply to:

- Carbonators;
- Ice makers;
- Pure water dispensing machines;
- Non-carbonated drink dispensing valves;
- Coffee/tea brewers;
- FCB/frozen drink machines;
- Moist-heat food holding cabinets

GENERAL SAFETY INFORMATION

Protect yourself and others by observing all safety information. Shut off power and drain pressure from system prior to service.

PERFORMANCE FOR AC MODELS



PUMP PERFORMANCE SPECIFICATIONS

Pump Design: Motor-operated 3 chamber diaphragm

Motor: Permanent magnet

Wetted Parts:

Diaphragm	Santoprene™
Check valve	EPDM
Pump Housing	Nylon

Accumulator Tank:

Housing	304 stainless Steel
Bladder	Butyl (food grade)

System Weight: 17.1lb (7.8 kg)

SYSTEM PERFORMANCE SPECIFICATIONS

Max Amp Draw: 115V AC 0.9 amp
230V AC 0.5 amp
Cycle 50/60 Hz

Liquid Temp: Min: 40° F (5° C)
Max: 120° F (49° C)

Priming: Dry 6 feet (1.9 m)
Wet 10 feet (3.1m)

Max Flow: 1.4 GPM (5.6 LPM)

Max Discharge Pressure: 100 psi (6.9 bar)

Max Inlet Pressure: 30 psi (2.1 bar)

CERTIFICATIONS

Model	Voltage	Certification
02830-000	115 VAC	UL, NSF*
R2830-001	230 VAC	CE, NSF*



*NSF Standard 18 pump, standard 61 Tank

INSTALLATION & OPERATION

1. Select a location for the booster system where the plumbing is as direct as possible. The booster system should be mounted in a dry and adequately ventilated area.
2. The booster system can be floor- or wall-mounted. If wall-mounted, ensure that pump head is positioned lower than the motor. Position the booster unit to ensure access to the tank air inlet valve. Fasten tank mounting points to a secure mounting surface. If using an inline strainer, position it for accessibility and future cleaning. Use properly sized anchors and mounting board (not included) if the system is installed directly on drywall.
3. Ensure that water line to pump has a valve for temporarily halting water supply. Valve should be in off position before connecting water supply line to the booster pump inlet. The booster pump should not be connected to power during installation. If water pressure at booster pump inlet exceeds 30 psi (2 bar), a Flojet water pressure regulator (included with unit) must be installed in-line before the pump inlet, to protect the pump from excessive water pressure. Connect the water supply to the pump inlet; connect the tank discharge to tubing leading to the appliance. Only use tubing approved for your application, and secure all tubing connections with stainless steel clamps. Secure any loose sections of tubing with cable ties to prevent kinks or bends in the tubing.
4. For correct booster pump operation, the tank must be properly pressurized on its air side before the pump is activated. Remove the protective cap covering the air-fill valve and charge the tank with clean, dry air. Replace cap when finished. CO₂ should NEVER be used to charge the tank; CO₂ contact with water and brass components will cause an undesirable chemical reaction. Always precharge to at least the minimum pressure required by the particular application. Review tank label for additional information concerning tank charge pressure. 50-70 psi (3.4-4.8 bar) provides ample pressure for most beverage dispensing applications. Tank air pressure should be checked monthly.
5. Turn on incoming water supply and check for any leaks in the connections. Open all discharge outlets on appliances down line from the booster system. Plug the booster pump power cord into a power source matched to the pump's voltage capacity; pump will start immediately. Allow pump to run for a minute or two, to discharge all the air from the booster system. Shut off any open discharge outlets to allow the pump to refill the tank.

WINTERIZING TIP

When units are exposed to freezing conditions:

1. Open discharge valve (faucet nearest to the Booster System).
2. Open inlet side to pump (remove inlet hose to the Booster System).
3. Run pump for approximately 2 minutes (dry), or until system is out of fluid.
4. Leave discharge valve open and inlet hose removed until next usage.

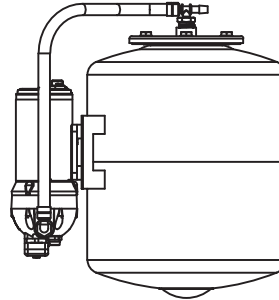


WARNING

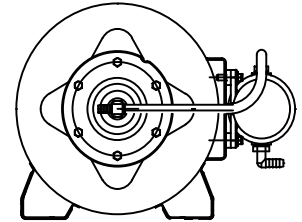


DO NOT USE PUMP IN A FLAMMABLE ENVIRONMENT. DO NOT USE TO PUMP FLAMMABLE OR EXPLOSIVE FLUIDS SUCH AS GASOLINE, FUEL OIL, KEROSENE, ETC.

MOUNTING DIAGRAMS



Vertical

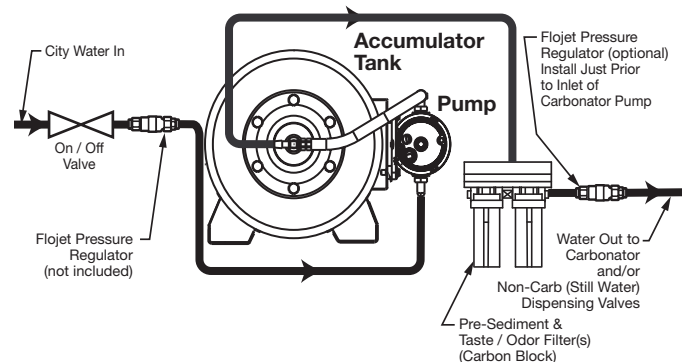


Horizontal

PLUMBING

IMPORTANT- if water supply line has pressure fluctuations that exceed 30 psi (2.1 bar), use the Flojet pressure regulator PN#01750322 (not included) to limit inlet pressure to 30 psi (2.1 bar) maximum.

Regulator may be installed at any convenient location between water supply and inlet strainer (see diagram below).



ELECTRICAL

RISK OF AN ELECTRICAL SHOCK!

When wiring an electrically driven pump, follow all electrical and safety codes, as well as the most recent National Electrical Code (NEC) and the Occupational Safety and Health Act (OSHA).

NOTE: For 115VAC, plug AC cord into a GFCI 115VAC outlet.

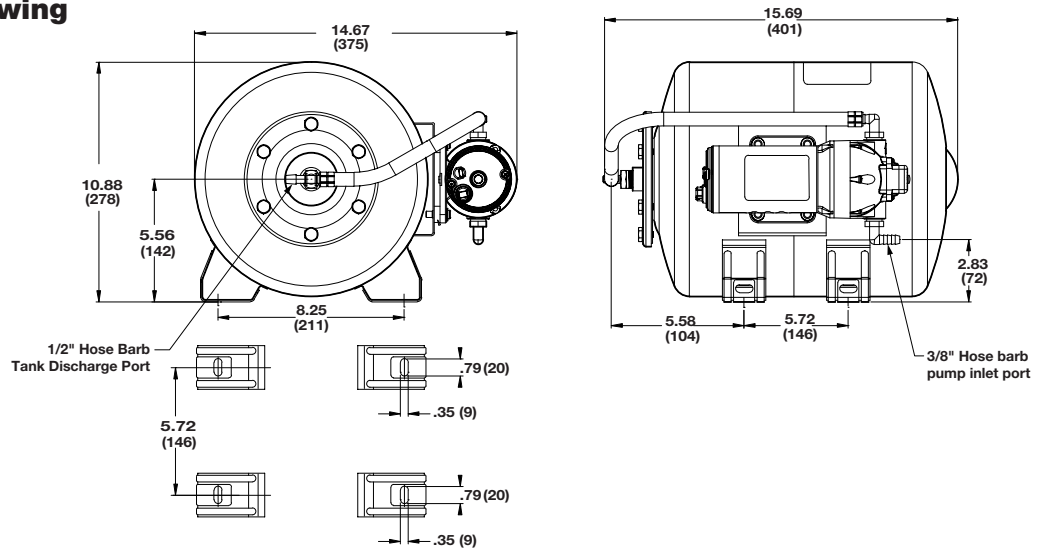
RISK OF PRODUCT DAMAGE!

Make certain the power source conforms to the pump voltage. Be sure all power is disconnected before installation or removal.



Dimensional Drawing

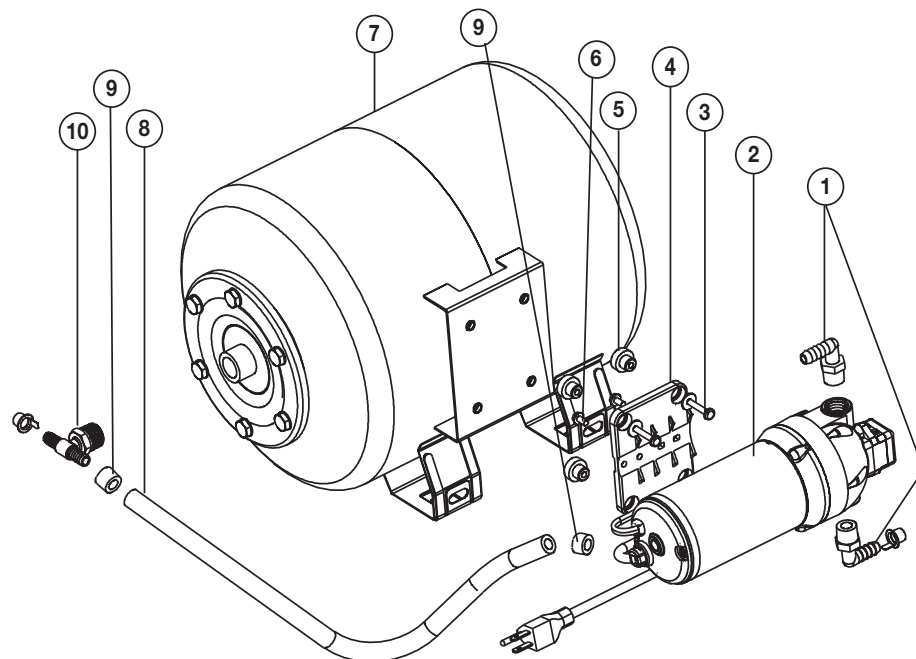
Inches (millimeters)



WARNING: DISCONNECT POWER TO PUMP AND OPEN VALVE TO RELIEVE WATER PRESSURE PRIOR TO SERVICING PUMP



TRIPLEX WATER BOOSTER SYSTEM



Key	Description
1	Pump inlet/outlet port fittings
2	Pump assy.* (115V - 03710541; 230V - 03711242)
3	Mounting bolts (4)
4	Mounting bracket
5	Grommet (4)

Key	Description
6	Mounting bracket screw (2)
7	Accumulator tank
8	Pump discharge/Tank inlet hose (1/2" ID)
9	Hose clamps
10	Tank inlet/discharge port fitting (91010328)

*** If pump assembly instructions are required, please visit www.flojet.com and download data sheet 81000-409**

PUMP TROUBLESHOOTING CHART

Failure to prime - motor operates, but no pump discharge

- Restricted intake or discharge line. Open all line valves, check for "jammed" check valves, and clean clogged lines.
- Air leak in intake line.
- Punctured pump diaphragm.
- Defective pump check valve.
- Crack in pump housing.
- Debris in check valves.

Motor fails to turn on

- Pump or equipment not plugged in electrically.
- Loose wiring connection.
- Pressure switch failure.
- Defective motor or rectifier.
- Frozen cam/bearing.

Pump won't prime

- Pinched/kinked hose

Pump fails to turn off after discharge valves are closed

- Depletion of available liquid supply.
- Punctured pump diaphragm.
- Discharge line leak.
- Defective pressure switch.
- Insufficient voltage to pump.
- Debris in check valves.

Low flow and pressure

- Air leak at pump intake.
- Accumulation of debris inside pump and plumbing.
- Worn pump bearing (excessive noise).
- Punctured pump diaphragm.
- Defective rectifier or motor.
- Insufficient voltage to pump.

Pulsating flow - pump cycling on and off

- Restricted pump delivery. Check discharge lines, fittings, valves and spray nozzles for clogging or undersizing.

PREVENTATIVE MAINTENANCE TIPS

Sealers and Teflon tape acting as a lubricant can cause cracked housings or stripped threads due to over-tightening. Care should be used when applying sealers; the tape may enter the pump, thus inhibiting valve action and causing no prime or no shut-off conditions. Failures due to foreign debris are not covered under warranty.

Before freezing conditions occur, the pump must be liquid free or winterized with proper anti-freezing chemicals. If mounting the pump in an outdoor environment, the pump should be shielded from water, dust, sunlight, and washdown spray. If the fluid is improperly matched to the pump's elastomers, the pump may fail to prime, have low pressures, or the pressure switch may not shut off. Contact your supplier for advice.

SERVICE KITS

Kits are readily available to repair standard Triplex high Pressure Series pumps. To insure that the correct kits are received, the model number and all name plate data must be included with the order. Contact a **FLOJET** distributor to order the necessary repair kits.

PRODUCT WARRANTY

FLOJET warrants this product to be free of defects in material and/or workmanship for a period of one year after purchase by the customer from **FLOJET**. During this one year warranty period, Flojet will, at its option and at no charge to the customer, repair or replace this product if found defective. No product will be accepted for return without a return material authorization number. All return goods must be shipped with transportation charges prepaid. This is only a summary of our Limited Warranty. For a copy of our complete warranty, please request Form No. 100-101.

RETURN PROCEDURE

Prior to returning any product to **FLOJET**, call customer service for an authorization number. This number must be written on the outside of the shipping package. Place a note inside the package with an explanation for return as well as the authorization number. Include your name, address and phone number. MSDS required.

www.flojet.com

U.S.A.
Flojet
666 E. Dyer Rd.
Santa Ana, CA 92705
Phone: 714.557.4700
Fax: 714.628.8478

UNITED KINGDOM
Flojet
Bingley Road, Hoddesdon
Hertfordshire EN11 0BU
Tel: +44 (0) 1992 450145
Fax: +44 (0) 1992 467132

CANADA
Fluid Products Canada
55 Royal Road
Guelph, Ontario N1H 1T1
Tel: 519 821.1900
Fax: 519 821.2569

JAPAN
NHK Jabsco Company Ltd.
3-21-10, Shin-Yokohama
Kohoku-Ku, Yokohama, 222
Tel: 045.475.8906
Fax: 045.475.8908

GERMANY
Jabsco GmbH
Oststrasse 28
22840 Norderstedt
Tel: +49-40-53 53 73 -0
Fax: +49-40-53 53 73 -11

ITALY
Jabsco Marine Italia
Via Tommaseo, 6
20059 Vimercate, Milano
Tel: +39 039 685 2323
Fax: +39 039 666 307