

## SPECIAL FEATURES

- Low profile design for space saving installation.
- Very strong reinforced plastic base with clear cover.
- Both a fresh and salt water strainer and may also be used with a variety of chemicals.
- FDA Listed Materials for Potable Water.
- Easy to clean, threaded bowl twists off with one hand.
- Three 7.2 sq. in. strainer elements to choose from.
- Wide variety of port configurations from 3/4" to 3/8".
- Free flow up to 7 GPM.
- Mounts directly on Flojet Quad Pump inlet (right angle model).
- Mounts securely with two screws on any surface (in-line model).
- Operates in any position (for optimum cleaning, bowl should be down).

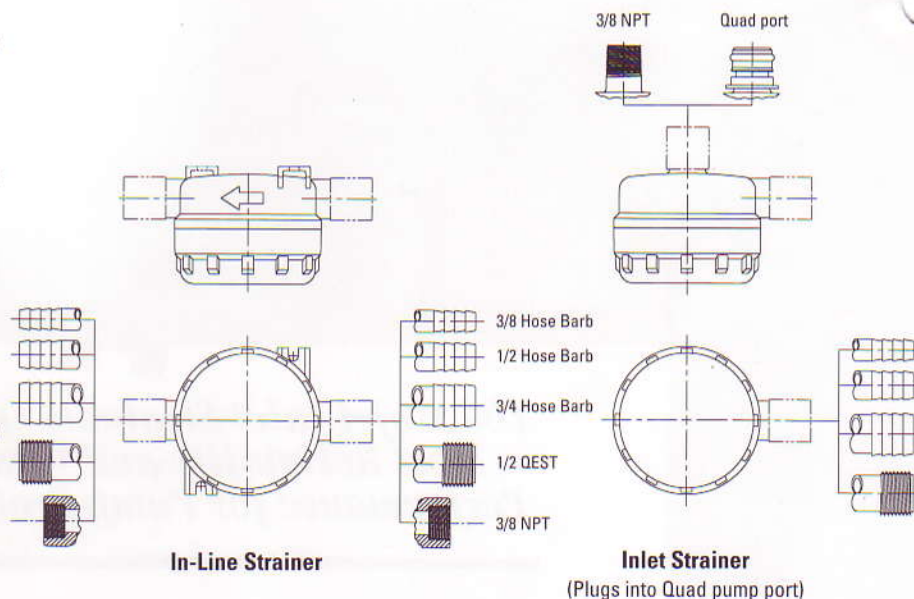
## SPECIFICATIONS

Materials	Base	Polypropylene, black		
	Cover	Polycarbonate, clear		
	Screen	Stainless Steel, 20 and 40 mesh Polypropylene Screen, 20 mesh		
	O-rings	EPDM with 40 mesh Stainless Steel Screen Buna-N with 20 mesh Stainless Steel or Polypropylene Screens		
Temperature		160°F (70°C) max.		
Dimensions		2.75" (70 mm) diameter x 2.25" (57 mm) high 4.75" (121 mm) max. port to port (3/4" hose barb) Plug-in style, 3.75" (96 mm) max. length		
Weight		0.25 lb (0.1 kg)		
Flow		3/4"	1/2"	3/8"
	GPM	7	4	2
	LPM	26	15	8
Pressure		70 PSI (5 bar) max.		
Precautions		Double clamp hose in marine applications. Do not remove cover if strainer is under pressure. Do not use on high pressure discharge side of pump.		

## STYLES AVAILABLE

Model No.	Description
01720-000	3/4" x 3/4" hose barb SS 20m
01720-002	1/2" x 1/2" hose barb SS 20m
01720-023	3/8" hb x 3/8" NPT (m) 90° SS 20m
01720-102	1/2" x 1/2" hose barb PP 20m
01720-103	3/8" x 3/8" hose barb PP 20m
01720-112	1/2" x Quad port 90° PP 20m
01720-123	3/8" hb x 3/8" NPT (m) 90° PP 20m
01720-375	3/8" NPT(f) x 3/8" NPT(f) SS 20m
01740-000	3/4" x 3/4" hose barb SS 40m
01740-002	1/2" x 1/2" hose barb SS 40m
01740-003	3/8" x 3/8" hose barb SS 40m
01740-004	1/2" QEST x 1/2" QEST SS 40m
01740-010	3/4" x Quad port 90° SS 40m
01740-012	1/2" x Quad port 90° SS 40m
01740-014	1/2" QEST x Quad port 90° SS 40m
01740-375	3/8" NPT(f) x 3/8" NPT(f) SS 40m

SS - Stainless Steel  
PP - Polypropylene  
m - Mesh



# FLOJET

For further information, contact your FLOJET representative, or write to:

### FLOJET CORPORATION

12 Morgan • Irvine, CA 92618-2092  
Tel: 1-949-859-4945  
1-800-2 FLOJET  
Fax: 1-949-859-1153

ISO 9001 Certified

### FLOJET (EUROPE) LTD.

Unit 1, Avant Business Centre  
Denbigh West Industrial Estate  
Milton Keynes, Bucks, England MK1 1DL  
Tel: 44-1908-370088 • Fax: 44-1908-373731