

Edson Portable Toilet Wash-Down Station Model 281-300-SS

Installation Manual

Standard Components

- Gasketed Cover
- 2 Gas Cylinder Hinges
- Non-Skid 4" Sink Rim
- 3" Female NPT Connection at Base of the Sink
- Hose Clip & Pre-Drilled Hole for Rinse Hose
- 7" X 13" Access Panel in Back
- Stainless Steel Hasp
- Rinse Hose Assembly
Thumb Activated Shut Off Nozzle
Reinforced Hose w/ 1/8" MNPT
End & 1/8" X 1/4" Adapter

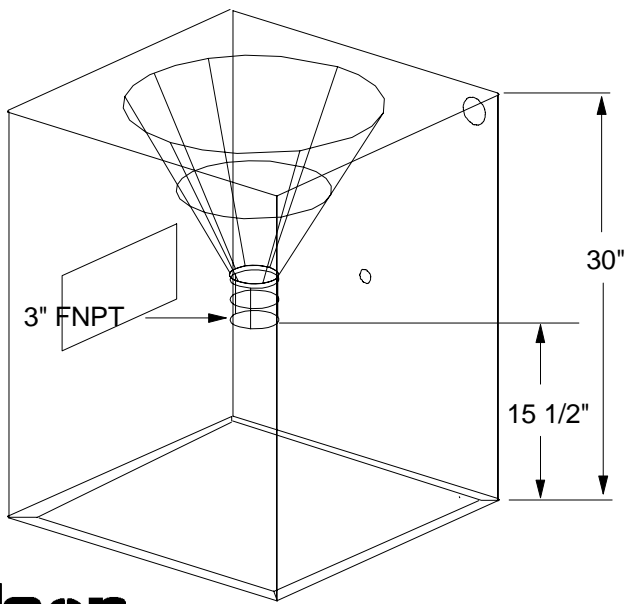


Parts

	Order #
Gas Spring Hinge	160 - A - 1418
Gas Spring Mounting Bracket	160 - A - 1418a
Rinse Hose	160 - A - 1419
Hasp	
Access Panel	160 - B - 551
Stainless Sink and Stand with Cover	160 - A - 2086

Rough Plumbing

- 3" PVC Drain to Sewage Line or Holding Tank
- 1" Water Line - Rigid pipe strong enough to support a Ball Valve



Footprint

