



MANUAL DIAPHRAGM PUMPS - 30 GPM

ONE GALLON PER STROKE

117AL & 117BR 554AL & 554BR 557AL & 557BR 638AL & 638BR

- ONE GALLON PER STROKE
- VOLUMES TO 30 GPM
- ANODIZED ALUMINUM & MARINE GRADE BRONZE MODELS
- DRY START VACUUM LIFT TO 12'
- PUMP UP TO 50% SOLIDS
- SIDE & BOTTOM INLET MODELS
- NON-CLOGGING FLOW-THRU DESIGN
- EASY TO SET-UP, USE, CLEAN, AND MAINTAIN
- BUILT TOUGH FOR YEARS OF SERVICE
- LONG LIFE, REINFORCED PUMP DIAPHRAGMS

Edson Bone Dry Lever Action Side Inlet Pumps, Model 117 are for horizontal mounting and portable applications. The pumps use a 32" handle to drive the diaphragm with an easy back and forth lever-action motion. When mounted to a **Model 116 Carrying Board** you have a manual pump that can be used anywhere.

Edson Bone Dry Offset Drive Bottom Inlet Pumps, Model 554 are identical to the Model 638 with the added feature of the offset drive for when vertical clearance is limited.

Edson Bone Dry Offset Drive Side Inlet Pumps, Model 557 are identical to the Model 117 pumps with the added feature of the offset drive. This feature is useful when mounting the pump in an enclosure or behind a wall. It is also helpful when overhead clearance is limited

Edson Bone Dry Lever Action Bottom Inlet Pumps, Model 638 are ideal for installations where the pump must be directly above the liquid to be transferred, such as on the top of a barrel, tank or floor openings. Material enters through the bottom of the pump and discharges to the side.

For pumps with different chemical resistant properties Edson offers optional diaphragms and valves made of Viton and Hypalon and special Halar and polyurethane coatings for the metal surfaces. Call Edson customer service for more details.



Performance: Static Head - Suction 15 ft / 4.57m , Discharge - 15 ft / 4.57m
 ● Dry Suction Lift -12 ft / 3.65m ● Max Volume - 30 GPM / 113.6 LPM at 5 ft Suction Lift and 0 Discharge at 30 Strokes per Min. w/ 2" Hose

Pump Construction: Anodized Aluminum & Marine Bronze Pumps ● Nitrile Valves & Diaphragm and ● Stainless Steel Hardware ● Side & Bottom Inlet Lever Action, Side & Bottom Inlet Offset Drive

Connections: Model 117 & 557 - Inlet 2" Male NPT & Discharge 2" Female NPT ● Model 554 & 638 - Inlet & Discharge 2" Female NPT

Power Drive: Manual Lever Action with 32" Plated Steel Handle

Options: 1 1/2" Inlet & Discharge Chambers ● Viton® Diaphragm and Valves ● Hypalon® Diaphragm and Valves ● White Baked-on Polyurethane or Halar Coating for Pump ● 32" Stainless Steel Handle

ORDERING INFORMATION

PUMP DESCRIPTION	WEIGHT (Lbs / Kgs)	ORDER NO.
Lever Action, Side Inlet Aluminum 2"	14 / 6.3	117AL - 200
Lever Action, Side Inlet Bronze 2"	36 / 16.3	117BR - 200
Off-Set, Bottom Inlet Aluminum 2"	18 / 8.2	554AL - 200
Off-Set, Bottom Inlet Bronze 2"	39 / 17.8	554BR - 200
Off-Set, Side Inlet Aluminum 2"	18 / 8.2	557AL - 200
Off-Set, Side Inlet Bronze 2"	42 / 19	557BR - 200
Lever Action, Bottom Inlet Aluminum 2"	14 / 6.3	638AL - 200
Lever Action, Bottom Inlet Bronze 2"	33 / 15.1	638BR - 200

Viton® and Hypalon® is a registered trademark of DuPont Dow Elastomers L.L.C.

[SEE OPTIONS PAGE 2](#)



146 Duchaine Blvd., New Bedford, MA 02745-1292 Tel. 508-995-9711 Fax 508-995-5021

E-Mail pumps@edsonintl.com www.edsonpumps.com

Applications

Edson Manual Diaphragm Pumps are the most versatile of all manual utility pumps due to their size and capacity. They are used for the collection and transfer of waste liquids and pumping liquids with suspended solids. They are capable of handling liquids with large suspended solids without clogging, to prime from dry starts, and to run dry. These basic performance features combined with The One Gallon Per Stroke performance make them applicable to a very diverse list of applications.

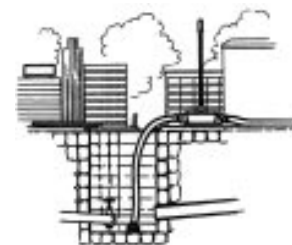
MARINE

- Bilge Pumps
- Emergency Dewatering
- Boatyard Utility Pump
- Oil Spill Cleanup
- Pump-Out Holding Tank



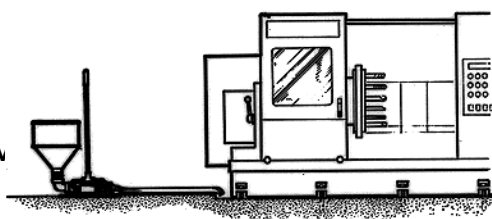
MUNICIPAL & UTILITY

- Meter Pit Dewatering
- Manhole Dewatering
- Sewage Collection & Transfer
- Waste Water Skimming
- Drain Clean-Out
- Utility Trunk Pump
- Fly Ash Clean-Ups
- Containment Transfer



INDUSTRIAL & CONSTRUCTION

- Sump Pump-Outs
- Slurry Transfer
- Abrasive Pumping
- Filtration Pumping
- Drum Transfer
- Groundwater Removal
- Spill Cleanup
- Drain Dewatering
- Grouting

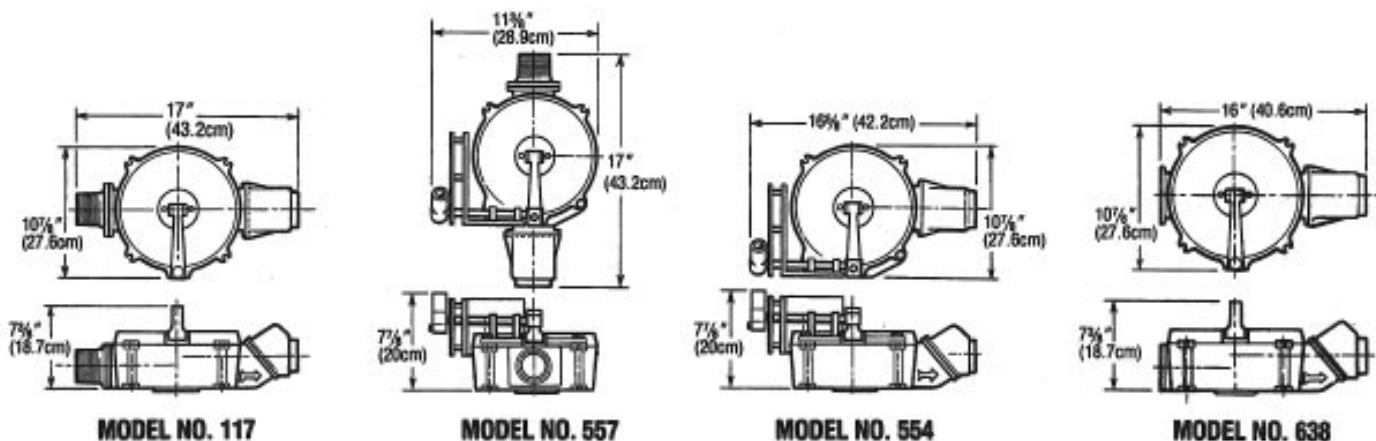


ENVIRONMENTAL

- Well Testing
- Well Grouting
- Tank Pump-Outs
- Grease & Oil Collection
- Skimming Pumping
- Asbestos Clean-Ups
- Oil-Water Separation
- Oil Spill Clean-Up



DIMENSIONS



OPTION ORDERING

The option order # is added to the basic pump order #, i.e. 638BR-200 w/ 230-A-41ST

OPTIONS DESCRIPTION	ORDER NO.
32" Stainless Steel Handle	230-A-41ST
Viton Diaphragm & Valves	230-1130V
Hypalon Diaphragm & Valve	230-1130H
Polyurethane Coating	230-PC
Halar Coating	230-H

