

Edson**DIAPHRAGM PUMP OUT SYSTEM****Complete Pumping Station For Marina Pump Out****Performance Features**

- No Clog, No Spill, No Smell
- Dry Start Suction Lift to 12ft (3.65m)
- Discharge Head 15ft (4.57m)
- Pump Rated to 38 GPM (144LPM)
- Dependable Performance
- Automatic Self Priming Starts
- 24V Push Button Start/Stop with Shut Off Timer

Design Features

- Easy to Use-Low Maintenance Components
- Modular For Flexibility of Installation
- Pump - Bronze, 2" Diaphragm
- Pump Cover - Heavy Duty UV Protected Fiberglass
- Hose Stand - White Powder Coated Aluminum
- Start/Stop Controls - On Hose Stand for Easy Access
- Motor - 3/4 HP, 1Ph, 115/230V for Convenient Installation
- Optional Motors & Controls For Any Requirements

For Marine, Campground and Industrial Applications. Edson's engineers have combined Edson Single Diaphragm Pump with the hose, fittings and accessories required to provide a trouble-free and efficient Sewage Collection System. The Edson Diaphragm Pump Out will also provide industrial and commercial operations with an environmentally sound method of sewage, oil, and waste liquid collection.

At the "Heart" of the pump out is Edson's powerful diaphragm pump. It is the best choice for the transfer and collection of sewage, sludge, waste oil and high viscosity fluids with suspended solids under low head conditions. Straight-through passages with no impellers insure Edson Pumps will not be stopped or damaged by personal hygiene items, bottle caps, paper, stones, twigs, banana peels, or any materials encountered when collecting waste products.

**Edson Diaphragm Pump Out Systems**

PUMP PERFORMANCE: Max. Volume - 38GPM/144 LPM ● Suction Lift - to 15 ft / 4.57m ● Discharge Head - to 15 ft / 4.57m ● Dry Suction Lift - 12 ft / 3.65m.

PUMP CONSTRUCTION: Marine Bronze Pump Body ● Nitrile Diaphragm and Valves ● Stainless Steel Hardware ● Aluminum Frame ● Inlet - 2" Male NPT ● Discharge - 2" Female NPT ● Standard Electric - 3/4 HP, Single Phase, 110/220 Volt, 60 HZ, 55 RPM, TEFC Gearmotor with a Control Panel with Timer and 24 Volt Remote Stop/Start.

ENCLOSURE CONSTRUCTION: Molded Solid Fiberglass 39" wide x 28" deep x 20" high ● Stainless Steel Optional

PUMP OUT HOSE ASSEMBLY: 1 1/2" Polyflex Hose ● 90° Ball Valve ● Sight Glass/Check Valve ● Quick Clamp Adapter ● Complete Set of Deck Adapters ● 25 ft Length Standard ● 50ft Optional

HOSE STAND CONSTRUCTION: White Powder Coated Aluminum with Start/Stop Buttons Installed ● Remote NEMA 4 Start/Stop Control Box Optional ● Stainless Steel Optional

OPTIONS: 50' Hose Assembly ● Explosion Proof Motor ● Motors and Controls for Any Power Requirement ● Explosion Proof On/Off Switch ● Bronze Pump Out Hydrant 270BR-150

ORDERING INFORMATION

DESCRIPTION <i>See Price List For Other Models</i>	WEIGHT (Lbs / Kgs)	ORDER NO.
Diaphragm Pump Out Station	250 / 112	284EB-40

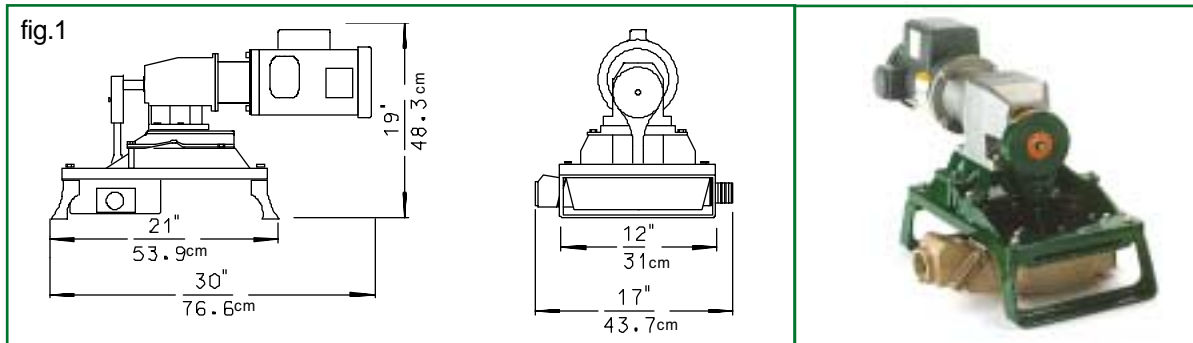
Edson
INTERNATIONAL

146 Duchaine Blvd., New Bedford, MA 02745-1292 Tel. 508-995-9711 Fax 508-995-5021

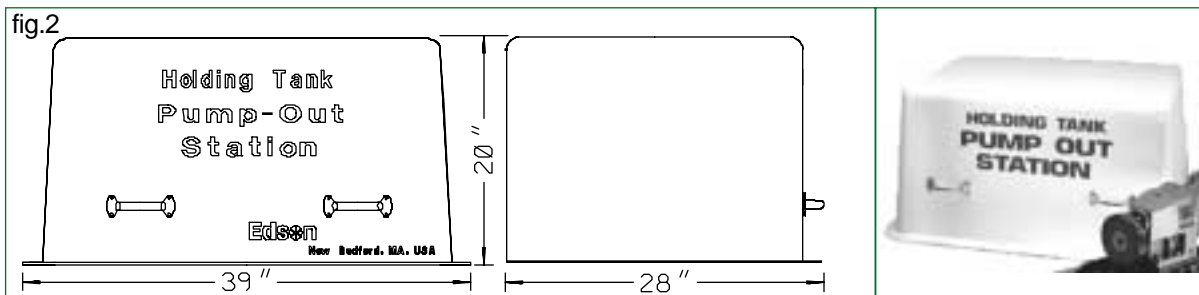
E-Mail pumps@edsonintl.com www.edsonpumps.com

Edson Diaphragm Pump Out Systems 284EB-40

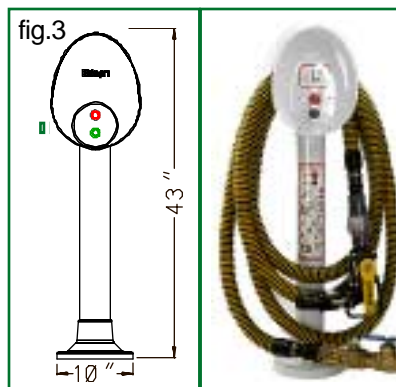
Pump: 3/4hp/1ph/115-230v/60hz/tefc gearmotor coupled to a 40 gpm diaphragm pump. All arranged on a painted aluminum frame with 2 mounting flanges.



Pump Cover: White Fiberglass with Handles and Pump Out Sign. fig.2



Hose Stand: White Powder Coated Aluminum with Start/Stop Buttons Installed, Operation Instructions Sign and (4) 1/2" X 7" Aluminum Hex Head Mounting Bolts. fig.3



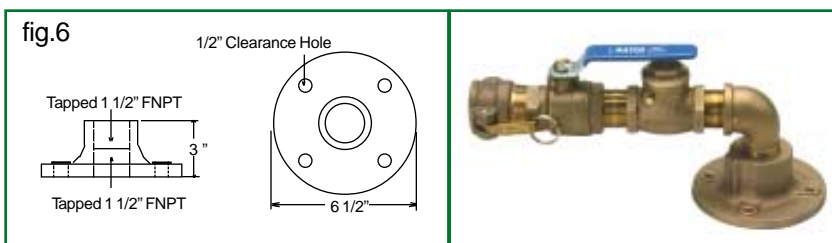
Hose Assembly: 25' X 1 1/2" Polyflex Hose, 90° Ball Valve, Sight Glass/Check Valve, Quick Clamp Adapter, Complete Set of Deck Adapters. fig.4

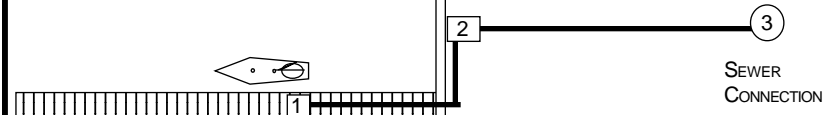
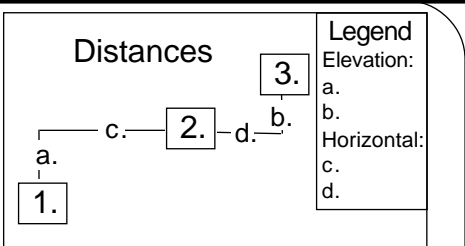


Control Panel with Timer and 24 Volt Remote Stop/Start: The Control Panel includes a 120/240 volt to 24 volt Transformer and a Timer to automatically shut off the pump after a selected time. The Red Stop Switch and the Green Start Switch installed in the Hose Stand operate on 24 volt for safety. Upon request they can be mounted in a separate nema-4 electrical box. fig.5



Hydrant (Optional): 1 1/2" Bronze Check Valve, Bronze Ball Valve and Quick Clamp Hose Adapter with Bronze Elbow and Close Nipple with Bronze Mounting Flange. fig.6 Order No. 270BR-150





All dimensions are approximate.
 Should **not** be used for contractor estimating.



2. Bronze Pump & Cover

