

Edson

MANUAL DIAPHRAGM PUMPS - 18 GPM

217AL & 217BR 254AL & 254BR 256AL & 256BR 258AL

- COMPACT
- VOLUMES TO 18 GPM
- ANODIZED ALUMINUM & MARINE GRADE BRONZE MODELS
- DRY START VACUUM LIFT TO 15'
- PUMP UP TO 50% SOLIDS
- NON-CLOGGING FLOW-THRU DESIGN
- EASY TO SET-UP, USE, CLEAN, AND MAINTAIN
- BUILT TOUGH FOR YEARS OF SERVICE
- LONG LIFE, REINFORCED PUMP DIAPHRAGMS

Edson Lever-Action Pump Model No. 217 operates with an easy back and forth lever-action motion using an 18" handle to drive the pump diaphragm. The compact Action Pumps can be horizontally mounted or portable. When mounted to a **Model 116 Carrying Board** with optional 32" handle you have a lightweight pump assembly that can be used anywhere.

Edson Offset Drive Pump, Model 254 is designed for mounting where vertical clearance is limited.

Edson Vertical Mount Pumps, Model 256 with handle and pump lever oriented for vertical operation, are designed for easy installation on a vertical surface such as a wall or vehicle bulkhead.

Edson Flush Wall Mount Pumps, Model 258 are specifically engineered for enclosed installations, mounting behind a wall, in a box or under an enclosed seat. A gasketed flange will prevent penetration of dirt or water. The pump handle is vertically oriented for easy pumping while standing or in a seated position.

For pumps with different chemical resistant properties Edson offers optional diaphragms and valves made of Viton and EDPM. Also for the metal surfaces special Halar and polyurethane coatings are available. Call Edson customer service for more details.



Performance: Static Head - Suction 18 ft / 5.48m , Discharge - 18 ft / 5.48m
 ● Dry Suction Lift -15 ft / 4.57m ● Max Volume - 18 GPM / 68.1 LPM at 5 ft Suction Lift and 0 Discharge at 46 Strokes per Min. w/ 1.5" Hose

Pump Construction: Anodized Aluminum & Marine Bronze Pumps ● Nitrile Valves & Diaphragm and ● Stainless Steel Hardware ● Lever Action & Offset Drive

Connections: Inlet 1.5" Male NPT ● Discharge 1.5" Female NPT

Power Drive: Manual Lever Action with 18" Aluminum Handle

Options: Viton® Diaphragm and Valves ● EDPM Diaphragm and Valves ● White Baked-on Polyurethane or Halar Coating for Pump ● 32" Stainless Steel Handle ● 32" Plated Steel Handle

ORDERING INFORMATION

PUMP DESCRIPTION		WEIGHT (Lbs / Kgs)	ORDER NO.
Lever Action	Aluminum 1.5"	6.3 / 2.9	217AL - 150
Lever Action	Bronze 1.5"	16.8 / 7.7	217BR - 150
Off-Set	Aluminum 1.5"	8.8 / 4.0	254AL - 150
Off-Set	Bronze 1.5"	19.3 / 8.8	254BR - 150
Vertical	Aluminum 1.5"	6.3 / 2.92	256AL - 150
Vertical	Bronze 1.5"	16.8 / 7.7	256BR - 150
Flush Wall Mount	Aluminum 1.5"	7.8 / 3.6	258AL - 150

Viton® is a registered trademark of DuPont Dow Elastomers L.L.C.

SEE OPTIONS PAGE 2

Edson
INTERNATIONAL

146 Duchaine Blvd., New Bedford, MA 02745-1292 Tel. 508-995-9711 Fax 508-995-5021

E-Mail pumps@edsonintl.com www.edsonpumps.com

Applications

Edson Manual Diaphragm Pumps are the most versatile of all manual utility pumps due to their size, capacity and rugged construction. They are used for the collection and transfer of waste liquids and pumping liquids with suspended solids. They are capable of handling liquids with large suspended solids without clogging, to prime from dry starts, and to run dry. These basic performance features combined with pumping performance make them applicable to a very diverse list of applications.

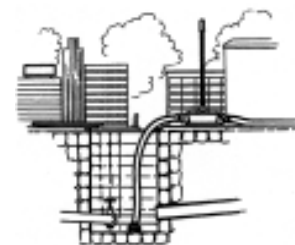
MARINE

- Bilge Pumps
- Emergency Dewatering
- Boatyard Utility Pump
- Oil Spill Cleanup
- Pump-Out Holding Tanks



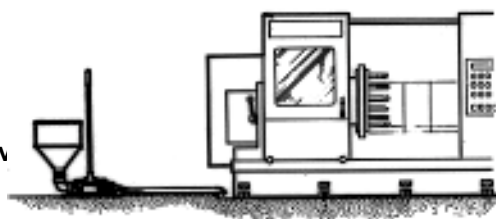
MUNICIPAL & UTILITY

- Meter Pit Dewatering
- Manhole Dewatering
- Sewage Collection & Transfer
- Waste Water Skimming
- Drain Clean-Out
- Utility Trunk Pump
- Fly Ash Clean-Ups
- Containment Transfer



INDUSTRIAL & CONSTRUCTION

- Sump Pump-Outs
- Slurry Transfer
- Abrasive Pumping
- Filtration Pumping
- Drum Transfer
- Groundwater Removal
- Spill Cleanup
- Drain Dewatering
- Grouting

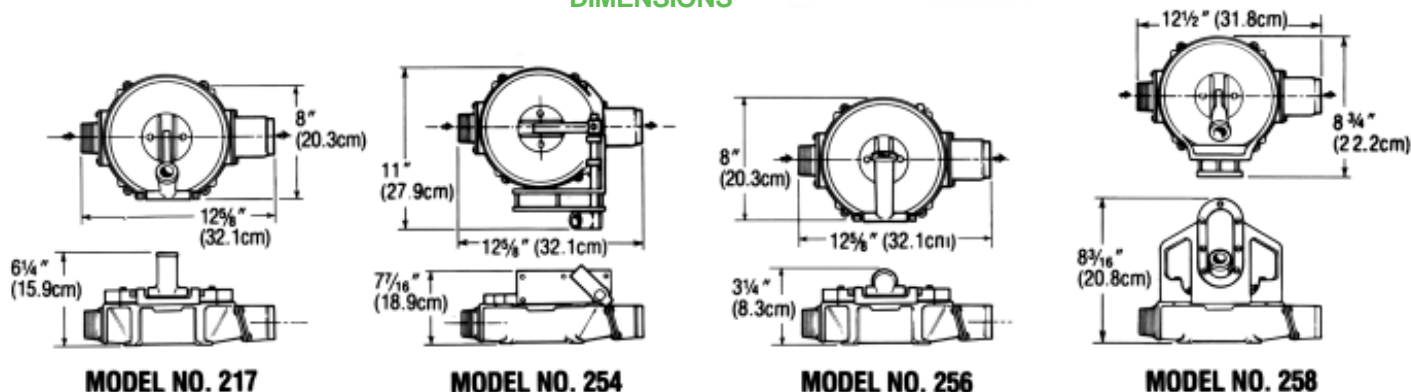


ENVIRONMENTAL

- Well Testing
- Well Grouting
- Tank Pump-Outs
- Grease & Oil Collection
- Skimming Pumping
- Asbestos Clean-Ups
- Oil-Water Separation
- Oil Spill Clean-Up



DIMENSIONS



OPTION ORDERING

The option order # is added to the basic pump order #, i.e. 217AL-18-150 w/ 230-A-41ST

OPTIONS DESCRIPTION	ORDER NO.
32" Plated Steel Handle	230-A-41
32" Stainless Steel Handle	230-A-41ST
Viton Diaphragm & Valves	230-11318V
EDPM Diaphragm & Valve	230-11318E
Polyurethane Coating	230-PC
Halar Coating	230-H

