



MODEL 258AL-150 MANUAL DIAPHRAGM PUMP

1 1/2" NPT PORTS - Aluminum Only



258AL-150

- VOLUMES TO 18 GPM
- POWERFUL VACUUM LIFTS
- DRY START LIFT TO 15'
- PUMP UP TO 50% SOLIDS
- LOW EMULSIVE & SHEER ACTION
- NON-CLOGGING FLOW THRU DESIGN
- EASY TO SET-UP, USE, CLEAN, AND MAINTAIN
- BUILT TOUGH FOR YEARS OF SERVICE
- LONG LIFE, REINFORCED PUMP DIAPHRAGMS

Edson's Model 258AL-150 Manual Diaphragm Pump is a hand pump designed for the purpose of transferring liquids. With a self priming suction lift of 15 ft it can lift liquids that are well below the level of the pump. This feature combined with the 1 1/2" flow thru design make it ideal for pumping liquids with large suspended solids. "IF IT FLOWS THRU THE HOSE, IT WILL GO THRU THE PUMP."

Review the general applications listed on the next page and you will see that this pump can meet a broad range of pumping needs.

Called a "SEAT RISER" pump, this version of the Edson manual pump is designed to be installed behind a vertical wall such as a seat riser on a boat. The pump with it's mounting head ring is positioned behind the wall. A hole is cut in the wall and a rubber boot/gasket together with a stainless steel flange is bolted from the outside surface of the wall to the pump head ring. The rubber boot/gasket has holes for the 7 mounting screws and one that fits snugly over the handle socket. The stainless handle can be inserted into the socket and the pump activated from outside an enclosure. There are 3 other versions of this pump with different drive arm orientations.

If you need a go anywhere pump capability, see the Portable Pump Kits Model 165.

If you need increased flow rates check out the Edson 30 GPM models.

Performance:

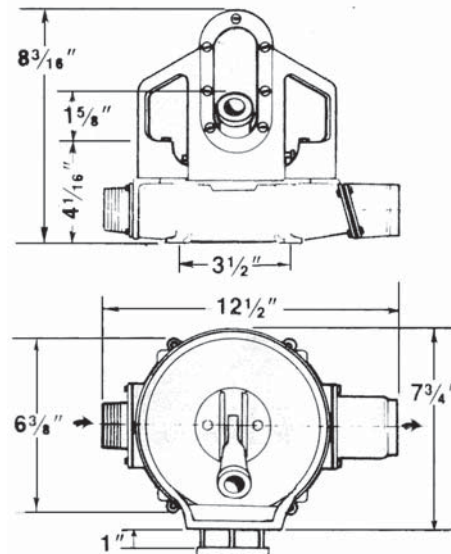
Static Suction Lift	18ft./5.47m
Dry Suction Lift	15ft./4.57m
Discharge Head	18ft./5.47m
Max Volume	18 GPM/76 LPM*
	*at 46 Strokes Per Min.

Ports Size:

Inlet	1 1/2" Male NPT
Discharge	1 1/2" Female NPT

Construction:

Pump Base	Anodized Aluminum (Wetted Parts)
Diaphragms & Valves.....	Choice of: Nitrile Viton®
Hardware Material	Stainless Steel



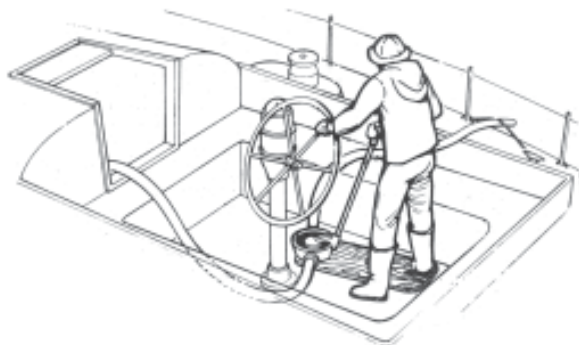
Description	Material	Port Sz	Weight Lb / Kg	Order No
Seat Riser 18	Aluminum	1 1/2"	6.3 / 2.9	258AL-150
Options				
Diaphragm & Valves	Viton®			230-11318V

Viton® is a registered trademark of DuPont Dow Elastomers L.L.C.



APPLICATIONS The popularity of the Edson Manual Diaphragm Pumps is due to their size, capacity, and versatility. They are used for the collection and transfer of waste liquids and pumping liquids with suspended solids. They are capable of handling liquids with large suspended solids without clogging, to prime from dry starts, and to run dry. These basic performance features combined with the unequaled construction make them applicable to a very diverse list of applications.

MARINE APPLICATIONS The manual pumps can be used as bilge pumps, for holding-tank pump outs, wash-down pump, makeshift shower—or all of the above! Their worth to a blue water sailor are the ability to pump faster than a scared man with a bucket.

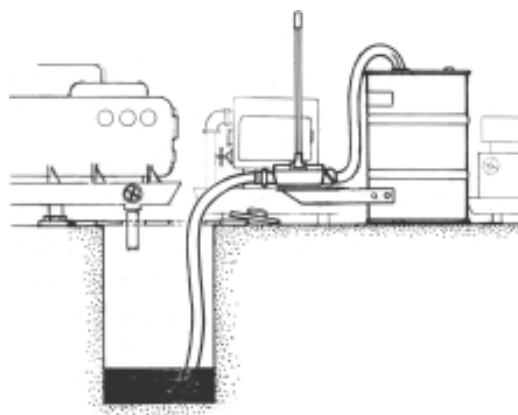


MARINE

- Bilge Pumps
- Emergency Dewatering
- Boatyard Utility Pump
- Oil Spill Cleanup
- Pump Out Holding Tanks

INDUSTRIAL

- Sump Pump-Outs
- Slurry Transfer
- Abrasive Pumping
- Oil Spill Cleanup
- Groundwater Removal



ENVIRONMENTAL

- Tank Pumpouts
- Grease & Oil Collections
- Skimming Pumping
- Asbestos Cleanups
- Oil-Water Separation
- Oil Spill Cleanup

MUNICIPAL & UTILITY

- Meter Pit Dewatering
- Manhole Dewatering Sewage
- Collection & Transfer
- Waste Water Skimming
- Drain Clean-out
- Utility Trunk Pump
- Fly Ash Cleanups
- Containment Transfer

