



MODEL 217 MANUAL DIAPHRAGM PUMP LEVER ACTION SIDE INLET

1 1/2" NPT PORTS



217AL-150

217BR-150



- VOLUMES TO 18 GPM
- POWERFUL VACUUM LIFTS
- DRY START LIFT TO 15'
- PUMP UP TO 50% SOLIDS
- LOW EMULSIVE & SHEER ACTION
- NON-CLOGGING FLOW THRU DESIGN
- EASY TO SET-UP, USE, CLEAN, AND MAINTAIN
- BUILT TOUGH FOR YEARS OF SERVICE
- LONG LIFE, REINFORCED PUMP DIAPHRAGMS

Edson's Model 217 Side Inlet Lever Action Manual Diaphragm Pumps are designed for the purpose of transferring liquids. For pumping materials that require rubber and/or pump wetted surfaces with different chemical resistant properties, Edson offers aluminum and bronze versions of the pump and optional diaphragms and valves made of Nitrile and Viton. With a self priming suction lift of 15 ft it can lift liquids that are well below the level of the pump. This feature combined with the 1 1/2" flow thru design of the diaphragm pump make it ideal for pumping liquids with large suspended solids.

"IF IT FLOWSTHRU THE HOSE, IT WILL GO THRU THE PUMP."

Review the general applications listed on the next page and you will see that this pump can meet a broad range of pumping needs.

If the vertically oriented drive arm and handle is not to your liking, consider one of our other models. There are 3 other versions of this pump with different drive arm orientations.

If you need a go anywhere pump capability, see the Portable Pump Kits, Model 165.

If you need increased flow rates check out the Edson 30 GPM models.

Performance:

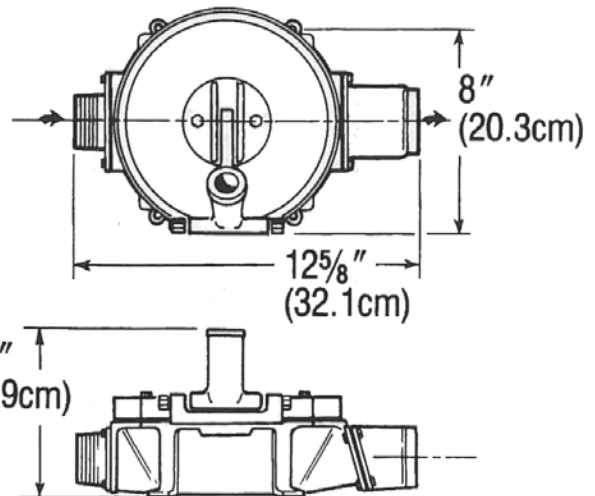
Static Suction Lift	18ft./5.47m
Dry Suction Lift	15ft./4.57m
Discharge Head	18ft./5.47m
Max Volume	18 GPM/76 LPM*
	*at 46 Strokes Per Min.

Ports Size:

Inlet	1 1/2" Male NPT
Discharge	1 1/2" Female NPT

Construction:

Pump Base	Choice of:
(Wetted Parts)	Anodized Aluminum Marine Bronze
Diaphragms & Valves.....	Choice of:
	Nitrile Viton®
Hardware Material	Stainless Steel



Description	Material	Port Sz	Weight	Order No
Lever Action Side Inlet	Aluminum	1 1/2"	6.3 / 2.9	217AL-150
Lever Action Side Inlet	Bronze	1 1/2"	16.8 / 7.7	217BR-150

Options

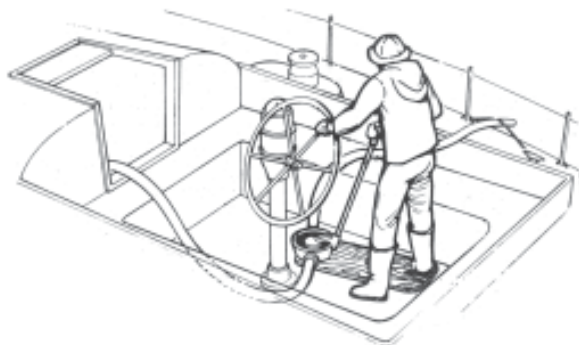
Diaphragm & Valves	Viton®	230-11318V
--------------------	--------	------------

Viton® is a registered trademark of DuPont Dow Elastomers L.L.C.



APPLICATIONS The popularity of the Edson Manual Diaphragm Pumps is due to their size, capacity, and versatility. They are used for the collection and transfer of waste liquids and pumping liquids with suspended solids. They are capable of handling liquids with large suspended solids without clogging, to prime from dry starts, and to run dry. These basic performance features combined with the unequalled construction make them applicable to a very diverse list of applications.

MARINE APPLICATIONS The manual pumps can be used as bilge pumps, for holding-tank pump outs, wash-down pump, makeshift shower—or all of the above! Their worth to a blue water sailor are the ability to pump faster than a scared man with a bucket.

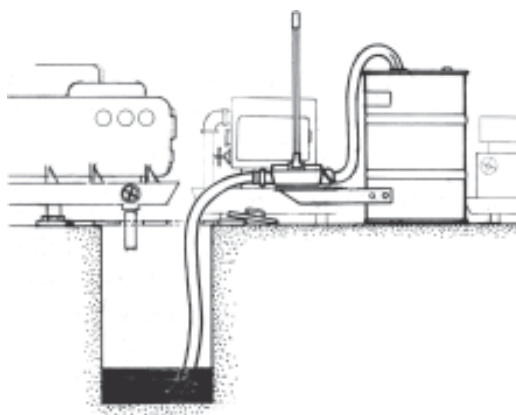


MARINE

- Bilge Pumps
- Emergency Dewatering
- Boatyard Utility Pump
- Oil Spill Cleanup
- Pump Out Holding Tanks

INDUSTRIAL

- Sump Pump-Outs
- Slurry Transfer
- Abrasive Pumping
- Oil Spill Cleanup
- Groundwater Removal



ENVIRONMENTAL

- Tank Pumpouts
- Grease & Oil Collections
- Skimming Pumping
- Asbestos Cleanups
- Oil-Water Separation
- Oil Spill Cleanup

MUNICIPAL & UTILITY

- Meter Pit Dewatering
- Manhole Dewatering Sewage
- Collection & Transfer
- Waste Water Skimming
- Drain Clean-out
- Utility Trunk Pump
- Fly Ash Cleanups
- Containment Transfer

