



# MODEL 165-18

## PORTABLE DIAPHRAGM PUMP KIT

### 1 1/2" PORTS



Optional Carrying and Storage Bag  
Order # 275-31



- VOLUMES TO 18 GPM
- POWERFUL VACUUM LIFTS
- DRY START LIFT TO 15'
- PUMP UP TO 50% SOLIDS
- LOW EMULSIVE & SHEER ACTION
- NON-CLOGGING FLOW THRU DESIGN
- EASY TO SET-UP, USE, CLEAN, AND MAINTAIN
- BUILT TOUGH FOR YEARS OF SERVICE
- LONG LIFE, REINFORCED PUMP DIAPHRAGMS

Edson's 18 gallon per minute Manual Portable Pump Kits are a complete pumping system. The Model 217AL-150, 1.5" npt pump is mounted on an Edson carrying board, with quick clamp hose couplings, 20 feet of 1.5" ID flexible hose, and a 32" Drive Handle make up the standard kit **Order No. 165AL-18-150**. We also sell a bronze version **Order No. 165BR-18-150**, with the only difference being the stronger bronze metal.

The quick clamp couplings installed on the hose make it quick and easy to set up the pump kits for use and to disassemble them for storage. For specific needs, Edson will customize your Manual Portable Pump Kits with additional hose, bronze strainers and hose couplings. For pumping materials that require rubber and/or pump wetted surfaces with different chemical resistant properties, Edson offers optional diaphragms and valves made of Viton, along with special Halar and Polyurethane coatings for the metal surfaces.

**Performance:**

Static Suction Lift .....	18ft./5.47m
Dry Suction Lift .....	15ft./4.57m
Dishcharge Head .....	18ft./5.47m
Max Volume .....	18 GPM/76 LPM*
	*at 46 Strokes Per Min.

**Ports Size:**

Inlet .....	1 1/2" Male NPT
Discharge .....	1 1/2" Female NPT

**Construction:**

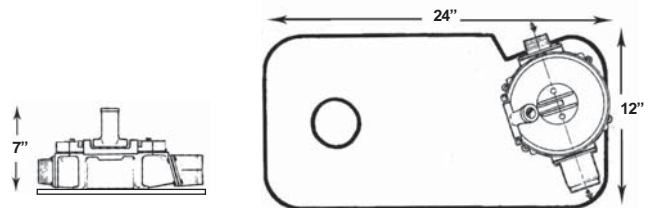
Pump Base .....	Choice of:
(Wetted Parts)	Anodized Aluminum
	Marine Bronze

Diaphragms & Valves.....	Choice of:
	Nitrile
	Viton®

Carry Board .....12" X 24" X 3/4"

Hardware Material ..... Stainless Steel

Portable Pump Kit Hose .....20' Flexible Hose w/Quick Clamp Fittings & Adapters



Description	Material	Port Sz	Weight Lb / Kg	Order No
Manual Pump Kit 18	Aluminum	1 1/2"	20 / 9.1	165AL-18-150
Manual Pump Kit 18	Bronze	1 1/2"	30.5 / 13.8	165BR-18-150
<b>Options</b>				
Diaphragm & Valves	Viton®			230-11318V

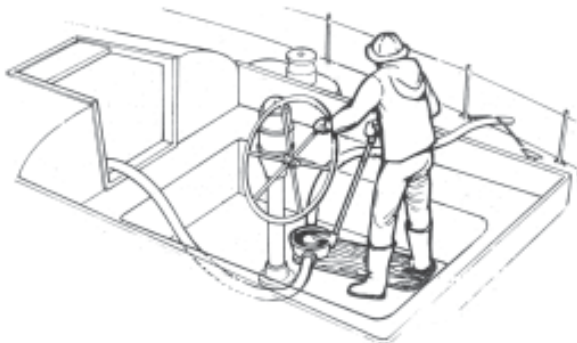
Viton® is a registered trademark of DuPont Dow Elastomers L.L.C.



**APPLICATIONS**

Edson Portable Diaphragm Pump Kits are the most popular of all Edson manual pumps due to their size, capacity, and versatility. They are used for the collection and transfer of waste liquids and pumping liquids with suspended solids. They are capable of handling liquids with large suspended solids without clogging, to prime from dry starts, and to run dry. These basic performance features combined with the performance make them applicable to a very diverse list of applications.

**MARINE APPLICATIONS** The 165AL-18-150 can be used as a bilge pump, holding-tank pump, wash-down pump, makeshift shower—or all of the above! Its best value to the blue water sailor is its ability to pump faster than a scared man with a bucket.

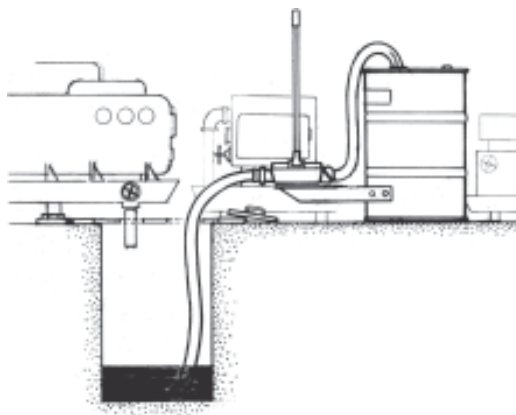


**MARINE**

- Bilge Pumps
- Emergency Dewatering
- Boatyard Utility Pump
- Oil Spill Cleanup
- Pump out Holding Tanks

**INDUSTRIAL**

- Sump Pump-Outs
- Slurry Transfer
- Abrasive Pumping
- Oil Spill Cleanup
- Groundwater Removal



**ENVIRONMENTAL**

- Tank Pumpouts
- Grease & Oil Collections
- Skimming Pumping
- Asbestos Cleanups
- Oil-Water Separation
- Oil Spill Cleanup

**MUNICIPAL & UTILITY**

- Meter Pit Dewatering
- Manhole Dewatering Sewage
- Collection & Transfer
- Waste Water Skimming
- Drain Clean-out
- Utility Trunk Pump
- Fly Ash Cleanups
- Containment Transfer

