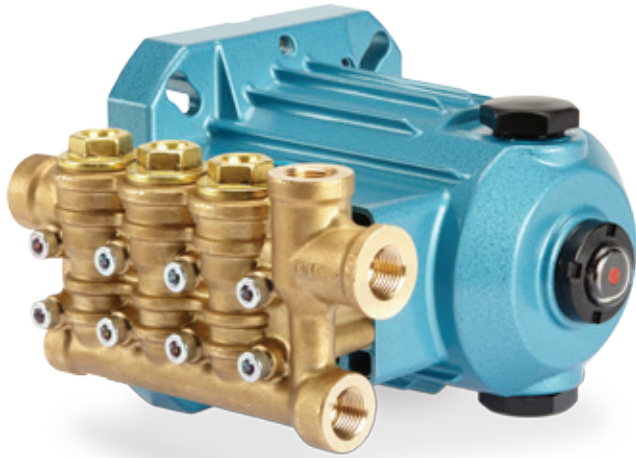


# MODEL 4SP21EL PLUNGER PUMP



2.1 GPM – 2,000 PSI

## Compact Direct Drive Pump with Long-Lasting Seals

When it comes to getting the job done, customers rely on durable long-lasting products from Cat Pumps and the 4SP is no exception. Designed for continuous duty applications, the 4SP series pumps are built to the same high standards as all Cat Pumps products. Every design detail has been optimized for exceptional performance and long-life.

Compact in size, the 4SP series pumps is not short on features that translate into dependable service:

- Specially formulated high-pressure seals and concentric, polished ceramic plungers provide maximum seal life, keeping equipment running longer with less downtime.
- Compact, hollow shaft pump for direct mounting eliminates the need for pulleys, belts or gearboxes.
- Stacked valve design makes service even easier

Cat Pumps products are designed to keep equipment running longer. Nothing outruns, outlasts, or outperforms Cat Pumps products.

### Features

- Discharge porting options (2 horizontal and 1 vertical) for neater and easier plumbing
- Crankcase can be vented (for misting or other applications) or completely sealed (for portable extractors) — making the 4SP a perfect fit for multiple applications
- Direct drive hollow shaft mounts to standard 56C frame electric motors for convenient and worldwide use

### Typical Applications

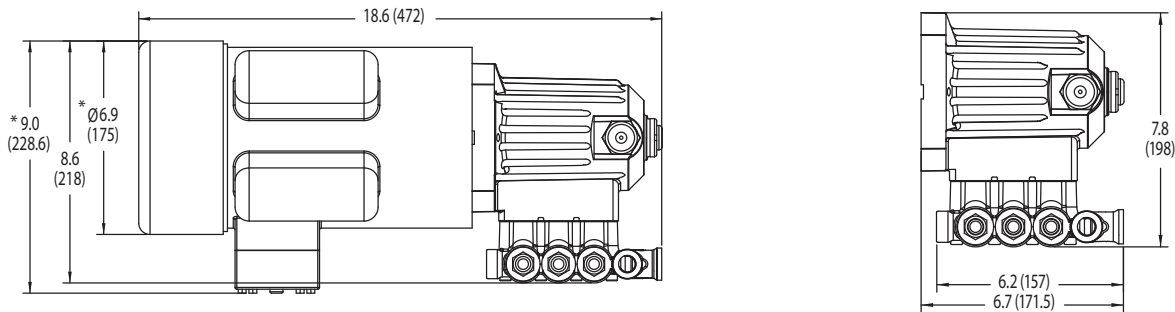
- Portable extractors for professional cleaning
- Misting and fogging for cooling
- Humidification
- Pressure washing

## Specifications

	US Measure	Metric Measure
<b>Flow</b>	2.1 gpm	7.9 lpm
<b>Pressure</b>	100 to 2,000 psi	7 to 140 bar
<b>RPM</b>	1750 rpm	1750 rpm
<b>Shaft Diameter</b>	5/8"	15.9 mm
<b>Inlet Pressure Range</b>	Tank fed to 60 psi	Tank fed to 4 bar
<b>Max. Liquid Temperature</b>	140° F	60° C
<b>Inlet Port (1)</b>	3/8" NPT(F)	3/8" NPT(F)
<b>Accessory Inlet Port (1)</b>	1/4" NPT(F)	1/4" NPT(F)
<b>Discharge Ports (3)</b>	3/8" NPT(F)	3/8" NPT(F)
<b>Weight</b>	10.6 lbs	4.8 kg
<b>Dimensions</b>	7.8 x 6.7 x 5.3"	198 x 171.5 x 134 mm

Note: Direct-drive hollow shaft mounts to a standard 56C motor.

## Dimensions



\* Dimensions with 8060 motor

## Popular Accessories



**Unloader**  
PN 7583  
0.5 – 8.0 gpm  
250 – 2,000 psi



**Pop-Off Valve**  
PN 30961  
1 – 6 gpm  
1,000 – 3,000 psi



**Pressure Gauge**  
PN 6088  
0 – 3,000 psi



**Inlet Strainer**  
PN 7204.4  
1/2" NPT(F)  
10 gpm Max



**Oil**  
PN 6107  
21 oz. Bottle  
Specially Formulated for  
Extended Protection

Contact Cat Pumps for pricing or more information at [techsupport@catpumps.com](mailto:techsupport@catpumps.com) or 763-780-5440



**CAT PUMPS**  
1681 - 94TH LANE N.E. MINNEAPOLIS, MN 55449-4324  
PHONE (763) 780-5440 — FAX (763) 780-2958  
e-mail: [techsupport@catpumps.com](mailto:techsupport@catpumps.com)  
[www.catpumps.com](http://www.catpumps.com)

For International Inquiries go to [www.catpumps.com](http://www.catpumps.com) and navigate to the "Contact Us" link.

©2014 Cat Pumps All rights reserved. 993489 Rev. A 3/14