

Electric motor sold separately.

## Direct-Drive Misting Plunger Pump

**Model 1DX03ELS.MIST**

### FEATURES

- Dual plunger design provides a smooth liquid flow.
- Specially formulated Hi-Pressure Seals and concentrically ground ceramic plungers assure maximum seal life.
- Stacked Stainless steel valve design for long life and easy servicing.
- Ultra compact, direct-drive low speed unit for quiet operation.
- Integral regulator with built-in by-pass to assure system pressure control and pump protection.

### ⚠ CAUTIONS AND WARNINGS

All High Pressure Systems require a primary pressure regulating device (i.e. regulator, unloader) and a secondary pressure relief device (i.e. pop-off valve, relief valve). Failure to install such relief devices could result in personal injury or damage to pump or property. CAT PUMPS does not assume any liability or responsibility for the operation of a customer's high pressure system.

Read all CAUTIONS and WARNINGS before commencing service or operation of any high pressure system. The CAUTIONS and WARNINGS are included in each service manual and with each Accessory Data sheet. CAUTIONS and WARNINGS can also be viewed online at [www.catpumps.com/cautions-warnings](http://www.catpumps.com/cautions-warnings) or can be requested directly from CAT PUMPS.

### WARRANTY

View the Limited Warranty on-line at [www.catpumps.com/warranty](http://www.catpumps.com/warranty).

### SPECIFICATIONS

U.S. Measure

Metric Measure

#### MODEL 1DX03ELS.MIST

Flow.....	0.3 gpm	(1.14 lpm)
Maximum Discharge Pressure.....	1200 psi	(85 bar)
Stroke (Dual Plunger).....	0.078"	(2.0 mm)
Maximum RPM.....	1725 rpm	(1725 rpm)
Inlet Pressure Range.....	Flooded to 60 psi	(Flooded to 4 bar)
Bore.....	0.630"	(16 mm)
Crankcase Capacity.....	8.5 oz.	(0.25 l)
Maximum Liquid Temperature.....	140°F	(60°C)
Inlet Ports (1).....	3/8" NPTF	(3/8" NPTF)
Discharge Port (1).....	3/8" NPTM	(3/8" NPTM)
Shaft Diameter.....	5/8" Hollow	(15.8 mm Hollow)
Weight.....	10.7 lbs.	(4.9 kg)
Dimensions.....	7.12 x 7.75 x 6.29"	(180 x 197 x 160 mm)

### ELECTRIC HORSEPOWER REQUIREMENTS

MODEL	FLOW		PRESSURE		rpm
	U.S. gpm	lpm	psi 1000	psi 1200	
1DX03ELS.MIST	0.3	1.14	bar 70	bar 85	1725

**DETERMINING THE PUMP R.P.M.**

$$\frac{\text{Rated gpm}}{\text{Rated rpm}} = \frac{\text{"Desired" gpm}}{\text{"Desired" rpm}}$$

**DETERMINING THE REQUIRED H.P.**

$$\frac{\text{gpm} \times \text{psi}}{1460} = \text{Electric Brake H. P. Required}$$

**DETERMINING MOTOR PULLEY SIZE**

$$\frac{\text{Motor Pulley O.D.}}{\text{Pump rpm}} = \frac{\text{Pump Pulley O.D.}}{\text{Motor rpm}}$$

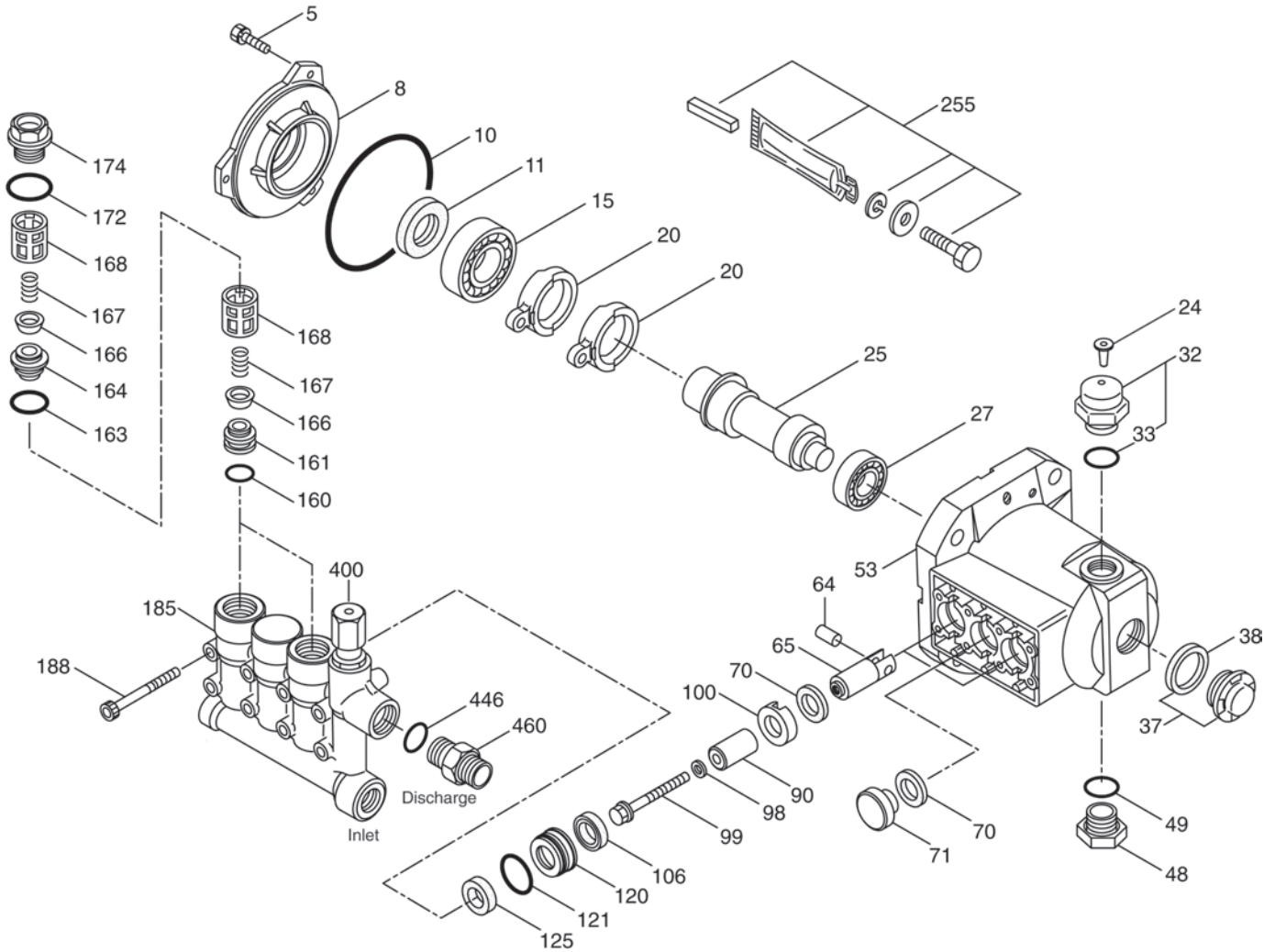
Refer to pump **Service Manual** for repair procedure and additional technical information.

# EXPLODED VIEW

February 2012

# PLUNGER PUMP MODEL

1DX03ELS.MIST



## PARTS LIST

ITEM	P/N	MATL	DESCRIPTION	QTY	ITEM	P/N	MATL	DESCRIPTION	QTY
5	549360	STCP R	Screw, HH (M6x14)	3	100	46233	D	Retainer, Seal	2
8	547153	AL	Cover, Bearing	1	106	48222	NBR	Seal, LPS w/S-Spg - 85D	2
10	14041	NBR	O-Ring, Bearing Cover - 70D	1	120	547357	BB	Case, Seal	2
11	55337	NBR	Seal, Oil - 70D	1	121	13976	NBR	O-Ring, Seal Case - 70D	2
15	14488	STL	Bearing, Ball	1	160	13965	NBR	O-Ring, Inlet Valve Seat - 70D	2
20	547048	TNM	Rod, Connecting	2	161	545177	S	Seat, Inlet	2
24	549608	LDPE	Plug, Oil Cap (Remove Before Startup)	1	163	19285	NBR	O-Ring, Seat - 70D	2
25	548879	CM	Crankshaft, 1725 RPM, 5/8", 2.0 mm	1	164	545178	S	Seat, Discharge	2
27	13832	STL	Bearing, Ball	1	166	46764	S	Valve	4
32	547961	RTP	Cap, Oil Filler w/O-Ring	1	167	46865	S	Spring	4
33	14179	NBR	O-Ring, Oil Filler Cap - 70D	1	168	543988	PVDF	Retainer, Spring	4
37	92241	—	Gauge, Bubble Oil w/Gasket - 80D	1	172	142807	NBR	O-Ring, Plug - 90D	2
38	44428	NBR	Gasket, Flat Flex, Oil Gauge - 80D	1	174	46759	BB	Plug, Valve (M20x1.5)	2
48	44842	NY	Plug, Drain	1	185	49524	BB	Head, Manifold w/Modular Reg. Body	1
49	14179	NBR	O-Ring, Drain Plug - 70D	1	188	542406	STZP	Screw, HSH (M6x60)	8
53	542407	AL	Crankcase [2/05]	1	549357	STCP R	—	Screw, HSH (M6x60)	8
64	46229	STL	Pin, Crosshead	2	255	30516	STZP R	Assy, Bolt Mount	1
65	542402	BB	Rod, Plunger	2	283	990394	—	Kit, Oil Drain (Not Shown)	1
70	47215	NBR	Seal, Oil - 70D	3	300	76054	NBR	Kit, Seal (Incls: 98,106,121,125)	1
71	548331	BB	Retainer, Oil Seal	1	310	76058	NBR	Kit, Valve (Incls: 160,161,163,164,166,167,168,172)	1
90	542403	CC	Plunger (M16x27)	2	400	—	—	Regulator, Modular (See Indiv. Parts)	1
98	46730	NBR	Washer, Seal - 90D	2	446	13969	NBR	O-Ring, Discharge Fitting - 70D	1
99	542405	S	Retainer, Plunger (M6x35)	2	460	107681	BB	Fitting, Discharge (3/8" NPTM)	1

*Italics are optional items.* See Tech Bulletins 002, 024, 036, 043, 055, 074 and 083 for additional information. R Components comply with RoHS Directive.

MATERIAL CODES (Not Part of Part Number): AL=Aluminum BB=Brass CC=Ceramic CM=Chrome-moly D=Acetal

LDPE=Low Density Polyethylene NBR=Medium Nitrile (Buna-N) NY=Nylon PVDF=Polyvinylidene Fluoride RTP=Reinforced Composite

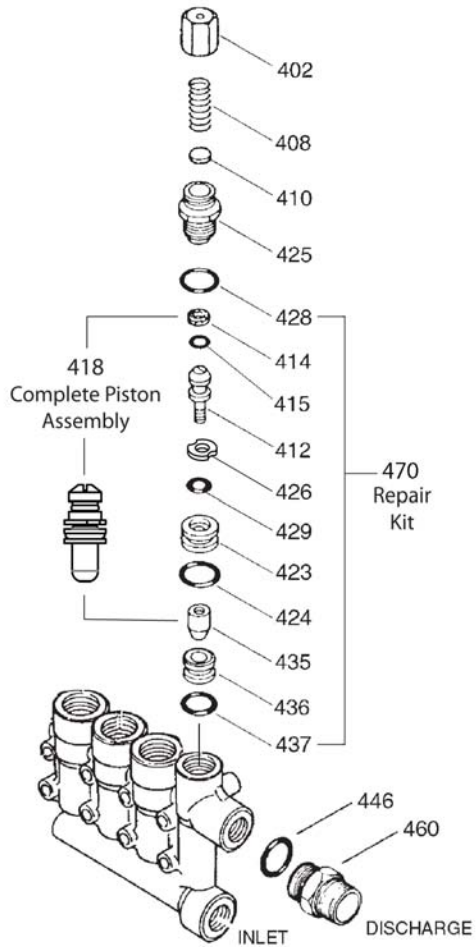
S=304SS STL=Steel STCP=Steel/Chrome Plated STZP=Steel/Zinc Plated TNM=Special High Strength

NOTE: Discard Key which may come standard with most motors and **use only the key included in this kit.**

# INTEGRAL REGULATOR EXPLODED VIEW

# SPECIFICATIONS

	U.S. Measure	Metric Measure
GPM.....	0.3 gpm	(1.14 lpm)
PSI Range.....	100-1200 psi	(7-85 bar)
Discharge Port .....	3/8" NPTM	(3/8" NPTM)



## INSTALLATION

An integral Regulator comes with each .MIST pump to provide system pressure regulation and pump protection.

## OPERATION

Set the regulator while the high pressure system is turned on. Adjust the adjusting cap in small increments until the desired system pressure is reached. Install a pressure gauge close to the manifold head of the pump to check pressure during start-up and periodically to monitor system performance.

System should be **purged of air before operation**. System liquid must flow through the pump without discharge restriction to assure full system pressure is reached.

## SERVICE

The regulator should be serviced on the same schedule as the seals in the pump.

1. Remove hex adjusting cap, spring and spring setainer.
2. Using a socket or wrench, remove piston retainer from the unloader body.

**NOTE:** Loctite® 242® is used in the assembly process.

3. Using a needle nose pliers, pull the complete assembly, piston stem through valve from the unloader body.
4. Using caution, grasp the valve with a pliers near the top next to the valve retainer and unthread the piston stem using a flat head screwdriver.
5. Remove o-rings from valve retainer, and back-up-ring and o-ring from piston stem. Examine o-rings and back-up-ring for cuts or wear and replace as needed.
6. Examine the valve, valve retainer and piston stem for wear and replace as needed.

**NOTE:** The seat will be damaged during removal and must be replaced.

7. Replace seat and stem from repair kit.
8. Lubricate all o-rings for ease of installation and install on seat, piston retainer, valve retainer and piston stem.
9. Assemble the washer, valve retainer with o-rings and valve onto the piston stem with o-ring and back-up-ring and thread together hand tight. Press complete assembly into body until completely seated.
10. Apply Loctite® 242® to threads of piston retainer with o-ring. Thread into body and tighten using a wrench.
11. Insert spring retainer and spring into the body.
12. Thread the adjusting cap into the body and set for system pressure.

**NOTE:** If unit is infrequently used or periodically stored, o-rings may become dry and will need to be replaced.

**NOTE:** This pump has an internally by-passed Regulator and if the pump is operated with no flow out the nozzles (100% by-pass), heat damage will occur to the seals and valve retainers in a short period of time.

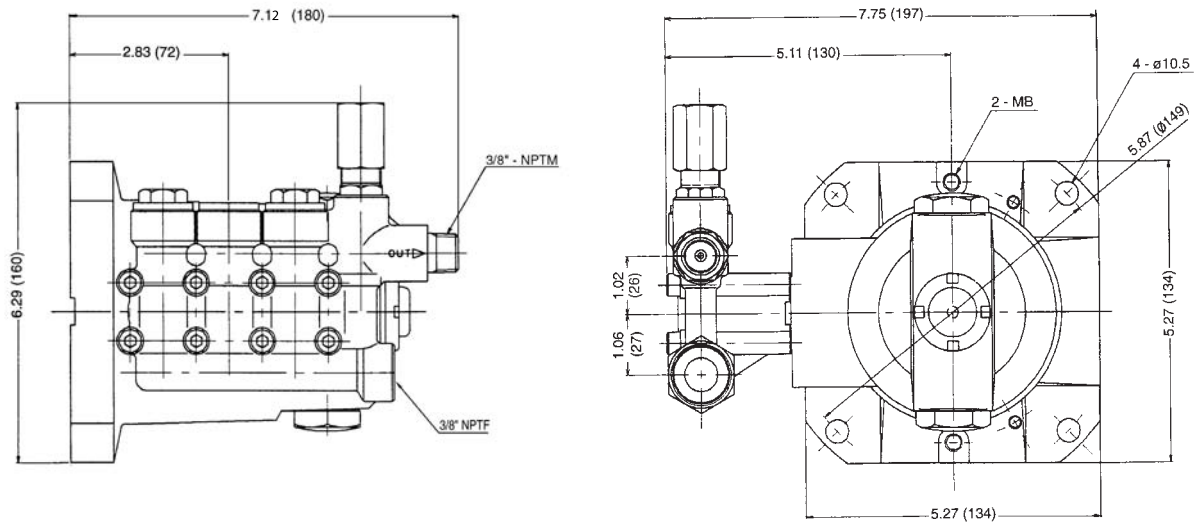
## PARTS LIST

ITEM	PN	MATL	DESCRIPTION	QTY.
402	46570	BB	Cap, Adjusting	1
408	549924	STCP R	Spring, Pressure	1
410	549352	STCP R	Retainer, Spring	1
412	46251	BB	Stem, Piston	1
414	28338	PTFE	Back-up-Ring, Piston Stem	1
415	22056	NBR	O-Ring, Piston Stem - 70D	1
418	—	BB	Assy, Piston (Included In Repair Kit)	1
423	46249	BB	Retainer, Valve	1
424	13966	NBR	O-Ring, Valve Retainer (Outer) - 70D	1
425	46248	BB	Retainer, Piston	1
426	46250	S	Washer	1
428	13969	NBR	O-Ring, Piston Retainer - 70D	1
429	17399	NBR	O-Ring, Valve Retainer (Inner) - 80D	1
435	548193	S	Valve	1
436	46253	S	Seat	1
437	13963	NBR	O-Ring, Seat - 70D	1
468	33099	NBR	Kit, O-Ring (Incls: 414,415,424,428,429,437)	1
470	31088	NBR	Kit, Repair (Incls: 418,428,436,437)	1

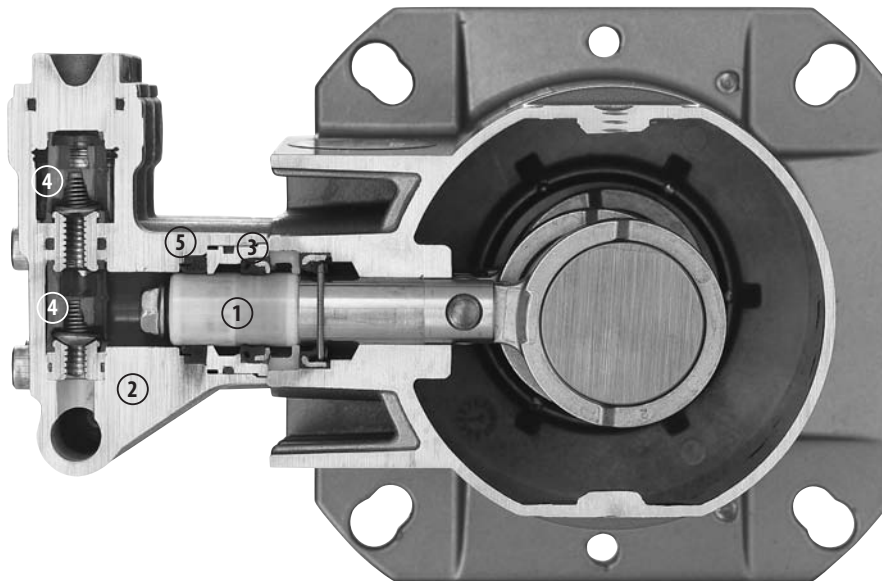
*Italics are optional items. R Components comply with RoHS Directive.*

MATERIAL CODES (Not Part of Part Number):

BB=Brass NBR=Medium Nitrile (Buna-N) PTFE=Pure Polytetrafluoroethylene  
S=304 STCP=Steel/Chrome Plated



Model 1DX03ELS.MIST



- 1 Special, concentric, high-density, polished solid ceramic **plungers** provide a true wear surface and extended seal life.
- 2 High tensile strength, forged brass **manifold head** with built-in integral regulator and eight mounting screws for exceptional strength.
- 3 100% wet **seal** design adds to service life by allowing pumped liquids to cool and lubricate on both sides.
- 4 Stainless steel **valves, seats and springs** provide corrosion-resistance, ultimate seating and extended life.
- 5 Unique design and specially formulated **Hi-Pressure Seals** offer unmatched performance and seal life.



**CAT PUMPS**  
 1681 - 94TH LANE N.E. MINNEAPOLIS, MN 55449-4324  
 PHONE (763) 780-5440 — FAX (763) 780-2958  
 e-mail: techsupport@catpumps.com  
 www.catpumps.com