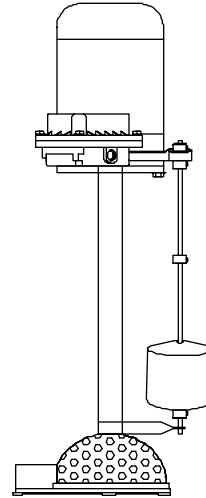


## EXPLOSION PROOF INDUSTRIAL PEDESTAL SUMP PUMPS

### APPLICATIONS

- Boiler Blow-Down Pits
- Hot Water Transfer
- De-Watering
- Industrial Wastewater Removal
- Pits or Sumps Not Suitable For Submersible Type Pumps
- Hazardous Environments (Class I, Group D; Class II, Group F & G)
- Adaptable to O.E.M. Applications



## FEATURES

- All Bronze Construction - Volute, impeller and bases are heat and corrosion resistant cast bronze. Brass column.
- Stainless Steel Shaft and Strainer.
- Heavy Duty Carbon Graphite Shaft Bearings. Pumps 3 ft. and over have an intermediate bearing to eliminate shaft deflection.
- Square D Explosion Proof Float Switch has copper ball and brass rod with adjustable stops.
- Column Heights from 2 ft. to 6 ft. available.
- Temperatures to 210°F (98°C).

### MATERIALS OF CONSTRUCTION

PART	BRONZE FITTED
Impeller	Bronze
Volute	Bronze
Base	Bronze
Column	Brass
Strainer	Stainless Steel
Shaft	Stainless Steel
Shaft Bearing	Graphite

### MOTOR INFORMATION

1/3 HP, 115Volt, 1Phase, 1750RPM, 60Hz, 56 Frame, NEMA C, Stub Shaft Motor with Ball/Ball Bearing Industrial Type Construction.

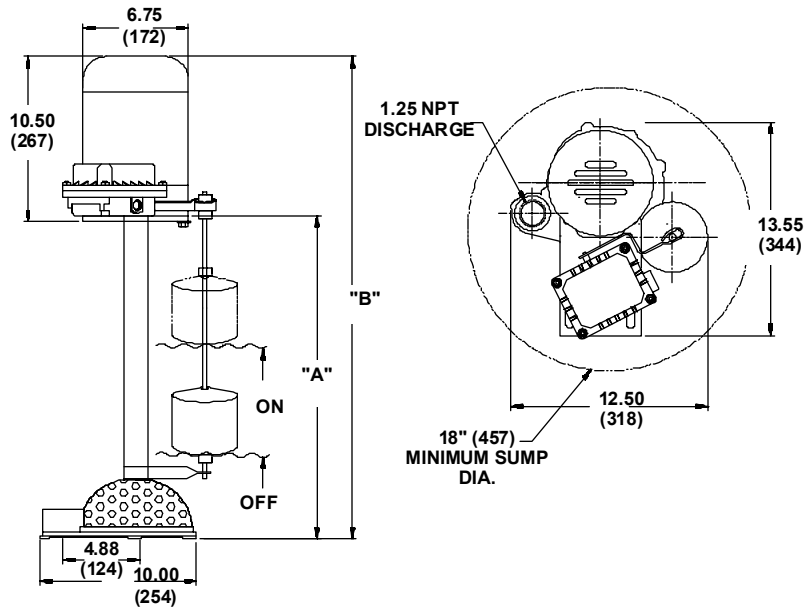
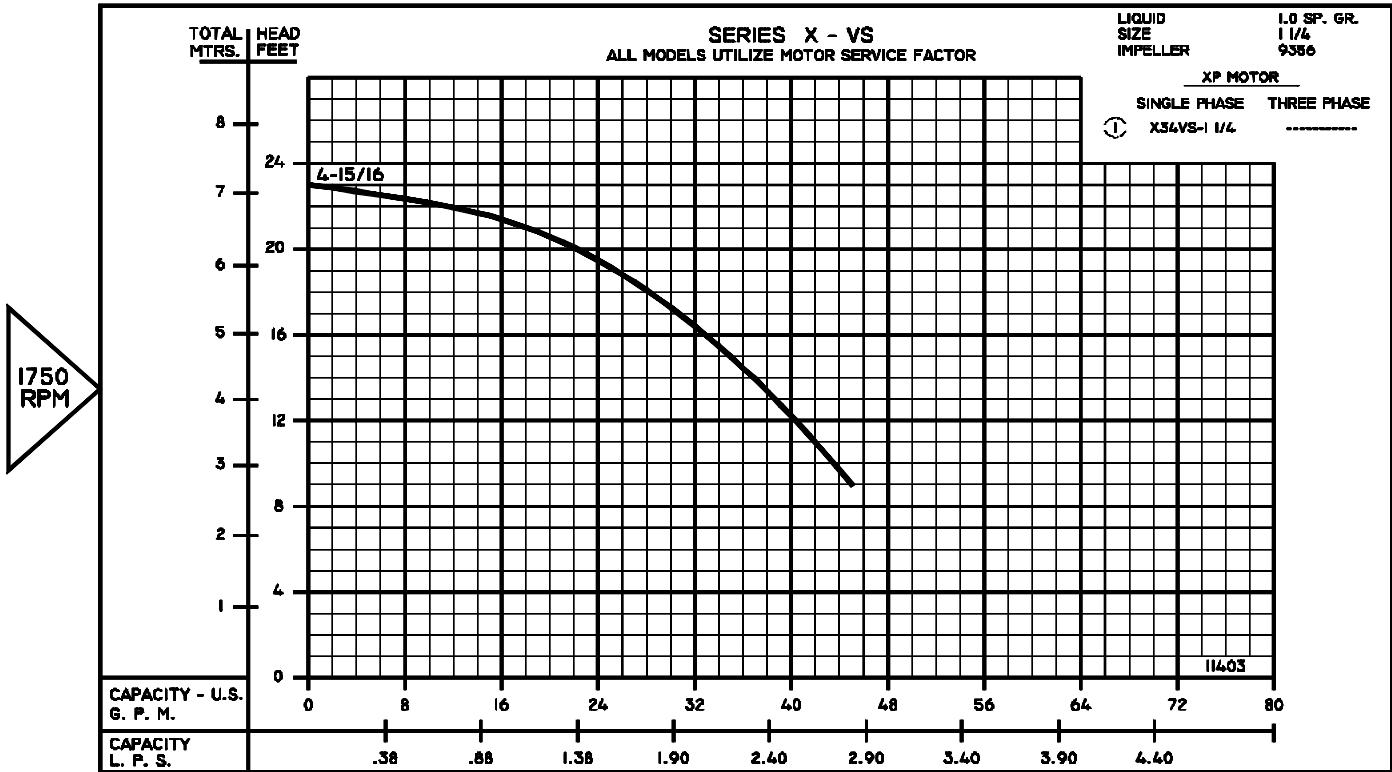
No Overload Protection in the Motor.

SECTION	7
PAGE	2
ISSUED	2/03
REPLACES	12/01



420 Third Street  
Piqua, Ohio 45356-0603  
Phone: (937) 778-8947 Fax: (937) 773-7157

## EXPLOSION PROOF INDUSTRIAL SUMP PUMPS



### DIMENSIONS

CATALOG NUMBER *	Dimensions in Inches (mm)				H.P.	DISCH. SIZE Inches	HEAD in FEET (Meters)			
	Catalog Number Suffix *						10 (3)	15 (4.5)	20 (6)	22 (6.7)
	-2		-4				CAPACITY in G.P.M. (L.P.S.)			
Single Phase	A	B	A	B						
X34VS-1 1/4	24.06 (611)	34.56 (878)	48.06 (1221)	58.56 (1487)	1/3	1 1/4"	44 (2.77)	35 (2.20)	23 (1.45)	12 (0.75)

\* All Pump Catalog Numbers also include a suffix number which indicates approximate column height in feet (Dim. A)



PUMPS & SYSTEMS