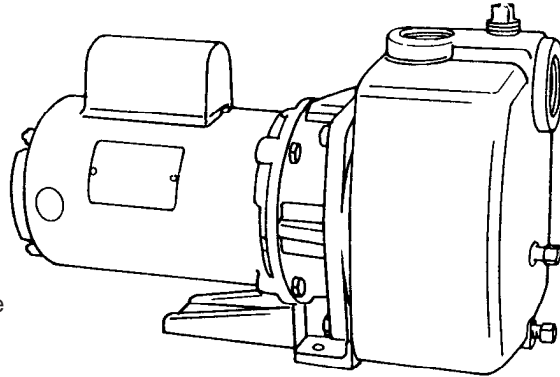


## Self-Priming Centrifugal Pumps

### APPLICATIONS

- Lawn Sprinkling
- Pressure Boosting
- Sprinkler Systems
- Light Irrigation
- Dewatering clean liquids
- Transfer from underground storage



- Fast Priming pumps stays primed. Flapper and check valves on suction pipe are not required, but are recommended.
- Non-overloading performance at all catalog ratings.
- Continuous duty motors.
- Leak Proof mechanical shaft seal - self adjusting
- Cast Iron Casing with suction, discharge, prime, vacuum gauge and drain tappings.
- All Bronze or All Iron construction available.
- Glass filled Noryl® enclosed impeller with molded-in brass insert.
- Every pump is factory tested and will meet Hydraulic Institute standards

### MOTOR INFORMATION

60 Hz - 3500 RPM - ODP

Single Phase: 1 thru 2 Hp - 115/230 Volts; 3 Hp. - 230 Volt

Three Phase: 1 thru 3 Hp. - 208-230/460 Volt

Voltages may differ from some suppliers. Consult factory.

**Overload Protection:** All single phase ODP and TEFC motors must have built-in overload protection. All three phase motors and all explosion proof motors must be installed with a magnetic starter which provides full 3-leg protection. Failure to use correct starter and overloads will void motor warranty.

### MATERIALS OF CONSTRUCTION

| PART       | STANDARD                      | ALL IRON                      | ALL BRONZE                    |
|------------|-------------------------------|-------------------------------|-------------------------------|
| Adapter    | Cast Iron                     | Cast Iron                     | Bronze                        |
| Case       | Cast Iron                     | Cast Iron                     | Bronze                        |
| Diffuser   | Cast Iron                     | Cast Iron                     | Bronze                        |
| Impeller   | Noryl®                        | Cast Iron                     | Bronze                        |
| Shaft      | #303 Stainless                | #303 Stainless                | #303 Stainless                |
| Shaft Seal | Carbon-Ceramic<br>SS - Buna-N | Carbon-Ceramic<br>SS - Buna-N | Carbon-Ceramic<br>SS - Buna-N |

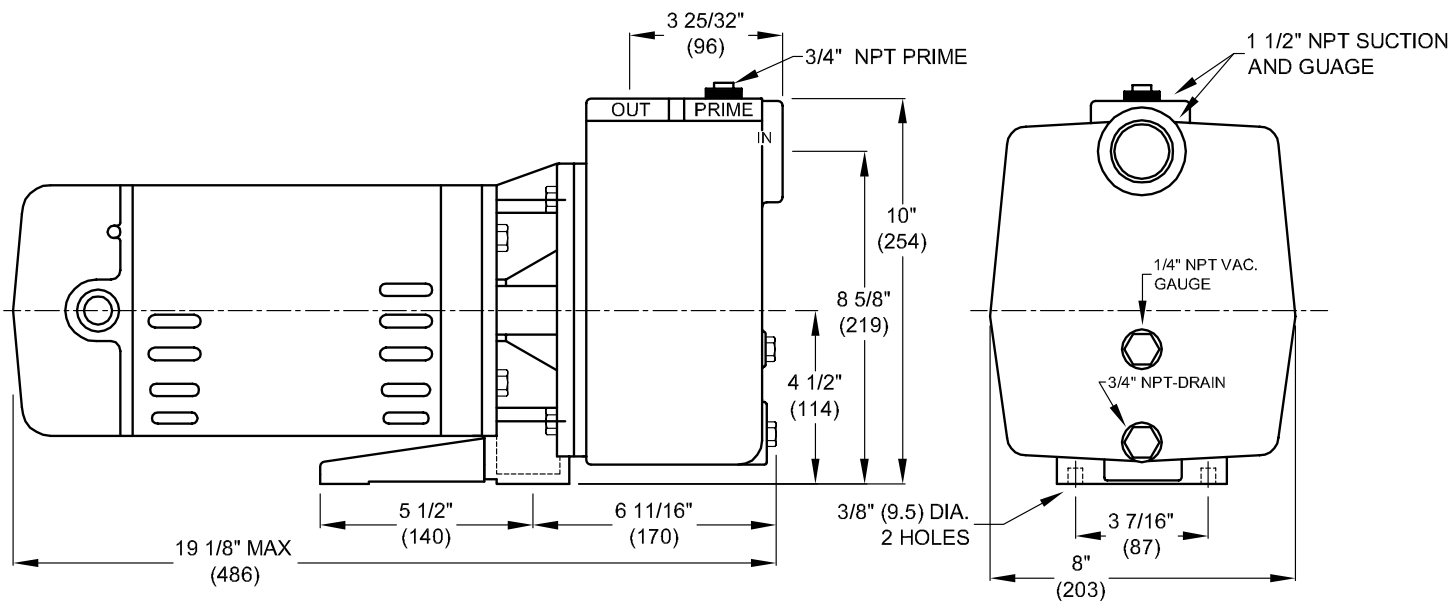
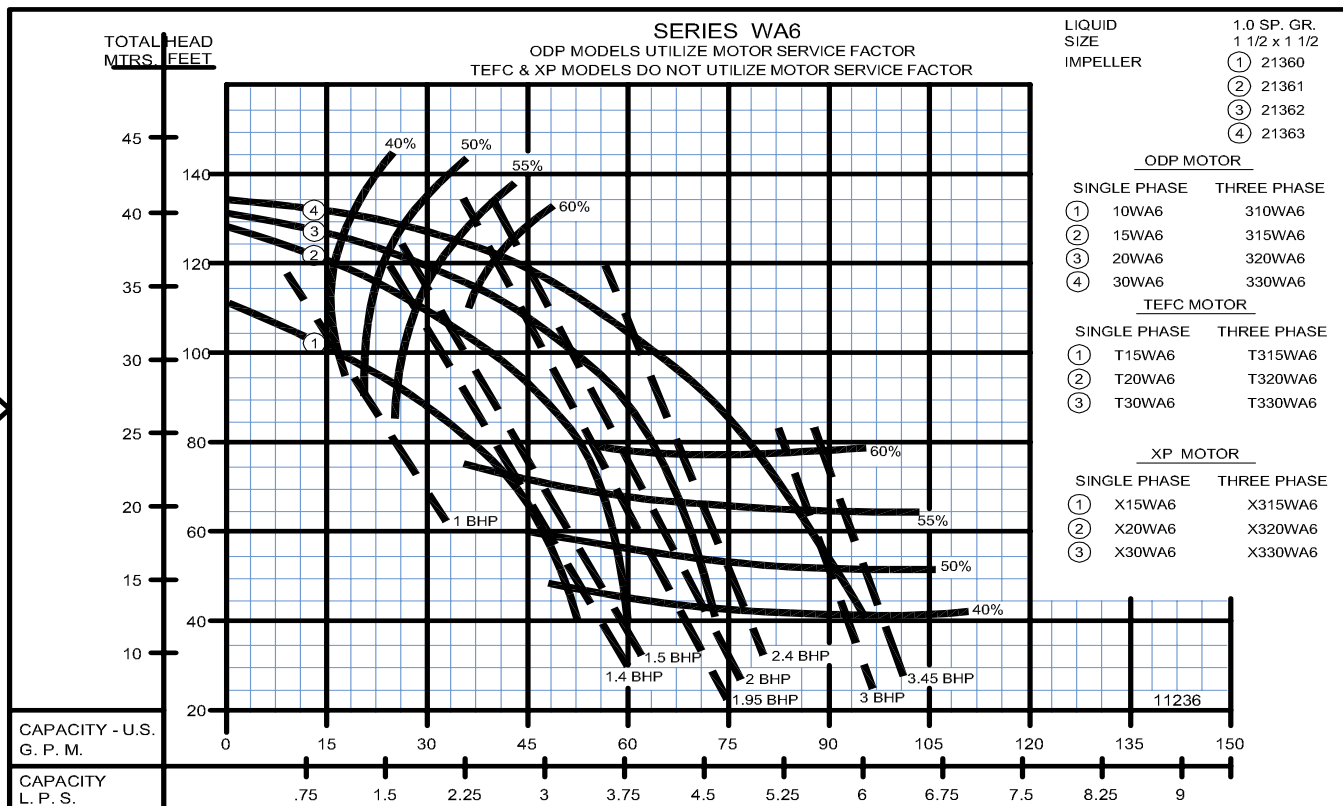
### MAXIMUM OPERATING CONDITIONS

|   |                   |
|---|-------------------|
| TEMPERATURE<br>(For Standard Buna-N Seal) | 225°F (107°C)     |
| INLET PRESSURE                            | 100 PSI (689kPa)  |
| CASING WORKING PRESSURE                   | 200 PSI (1379kPa) |

### 60 HZ - PERFORMANCE AND SELECTION FOR SUCTION LIFT - 3500 RPM

| Catalog No. | HP | Suction & Discharge | Discharge Pressure Pounds | Capacity GPM (LPS) At Suction Lift and Discharge Pressure Shown |                   |                  |                    |                    |                    |
|-------------|----|---------------------|---------------------------|---|-------------------|------------------|--------------------|--------------------|--------------------|
|             |    |                     |                           | 0' Suction  | 5' (1.5m) Suction | 10" (3m) Suction | 15' (4.5m) Suction | 20' (6.1m) Suction | 25' (7.6m) Suction |
| 10WA6       | 1  | 1½                  | 20 (137kpa)               | 52 (3.3)  | 51 (3.2)          | 48 (3.0)         | 46 (2.9)           | 43 (2.7)           | 36 (2.2)           |
|             |    |                     | 30 (206kpa)               | 43 (2.7)  | 39 (2.4)          | 36 (2.2)         | 33 (2.0)           | 30 (1.8)           | 25 (1.5)           |
|             |    |                     | 40 (275kpa)               | 23 (1.4)  | 20 (1.2)          | 14 (0.8)         | 5 (0.3)            | ---                | ---                |
| 15WA6       | 1½ | 1½                  | 20 (137kpa)               | 61 (3.8)  | 61 (3.8)          | 56 (3.5)         | 53 (3.3)           | 49 (3.0)           | 41 (2.5)           |
|             |    |                     | 30 (206kpa)               | 58 (3.6)  | 58 (3.6)          | 54 (3.4)         | 51 (3.2)           | 47 (2.9)           | 40 (2.5)           |
|             |    |                     | 40 (275kpa)               | 47 (2.9)  | 43 (2.7)          | 38 (2.3)         | 35 (2.2)           | 30 (1.8)           | ---                |
|             |    |                     | 50 (344kpa)               | 24 (1.5)  | 19 (1.1)          | 9 (0.5)          | ---                | ---                | ---                |
| 20WA6       | 2  | 1½                  | 20 (137kpa)               | 73 (4.6)  | 69 (4.3)          | 67 (4.2)         | 63 (3.9)           | 58 (3.6)           | 50 (3.1)           |
|             |    |                     | 30 (206kpa)               | 68 (4.2)  | 67 (4.2)          | 64 (4.0)         | 61 (3.8)           | 56 (3.5)           | 48 (3.0)           |
|             |    |                     | 40 (275kpa)               | 58 (3.6)  | 54 (3.4)          | 50 (3.1)         | 46 (2.9)           | 41 (2.5)           | 34 (2.1)           |
|             |    |                     | 50 (344kpa)               | 37 (2.3)  | 31 (1.9)          | 23 (1.4)         | ---                | ---                | ---                |
| 30WA6       | 3  | 1½                  | 20 (137kpa)               | 93 (5.8)  | 93 (5.8)          | 93 (5.8)         | 92 (5.8)           | 82 (5.1)           | 66 (4.1)           |
|             |    |                     | 30 (206kpa)               | 85 (5.3)  | 83 (5.2)          | 83 (5.2)         | 80 (5.0)           | 76 (4.7)           | 64 (4.0)           |
|             |    |                     | 40 (275kpa)               | 72 (4.5)  | 68 (4.2)          | 64 (4.0)         | 59 (3.7)           | 55 (3.4)           | 46 (2.9)           |
|             |    |                     | 50 (344kpa)               | 50 (3.1)  | 43 (2.7)          | 35 (2.2)         | 22 (1.3)           | ---                | ---                |

**Self-Priming Centrifugal Pumps**



DO NOT USE FOR CONSTRUCTION PURPOSES. CERTIFIED DRAWINGS AVAILABLE ON REQUEST

SECTION 4B  
PAGE 2  
DATE 1/06

**CRANE**<sup>®</sup>  
A Crane Co. Company

**PUMPS & SYSTEMS**