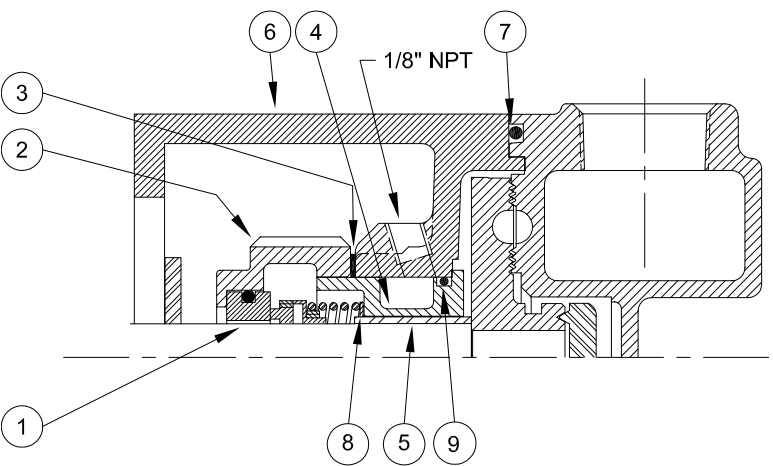


SYMBOL NUMBER	DESCRIPTION	PUMP SERIES CS/ES
1	Shaft Seal - Viton/Ni-Resist	20499-C
2	Seal Cap	20490
3	Gasket	20489
4	Throttle Bushing	20491
5	Spacer Sleeve	20492
6	Frame for O-ring	09792-G
	Frame for Flat Gasket	09792-E
♦ 7	O-ring	22104
	Flat Gasket	09851
8	Sleeve	09853
9	Packing - Teflon	22100
10	Backup Washer	01335
11	Case for O-ring	09790-B
	Case for Flat Gasket	09790-D
*	Frame Assy	22259
** 12	O-ring - Viton	23534
	O-ring - Kalrez	23572
	Impeller	SA09788-HT

(* Include Symbols 4, 6 & 12 (Viton O-ring).
 (♦) Series CS-MJ & ES-MJ pumps have been manufactured with either flat or O-ring type gaskets. Determine which type is required before ordering. When in doubt, order flat gasket. These parts are **NOT** interchangeable.



SYMBOL NUMBER	DESCRIPTION	PUMP SERIES CT/ET
1	Shaft Seal - Viton/Ni-Resist	20498-C
2	Seal Cap	20486
3	Gasket	20487
4	Throttle Bushing	20511
5	Spacer Sleeve	20512
6	Frame	09522-D
7	O-ring - Teflon	09530-T
8	Washer	07441-A
** 9	O-ring - Viton	23533
	O-ring - Kalrez	23571
*	Frame Assy	22258
	Impeller	SA09524-HT

(* Include Symbols 4, 6 & 9 (Viton O-ring).
 (**) NOTE: For temperatures below 400° F (204.4°C) use Viton O-ring.
 For temperatures above 400° F (204.4°C) use Kalrez O-ring.

Use Hi-Temperature impellers on CT/ET & CS/ES "MJ" Turbine Pumps.

Only the parts used exclusively in "MJ" construction are listed. All other parts are common to pumps of standard construction and are listed on the appropriate repair parts list for each series.