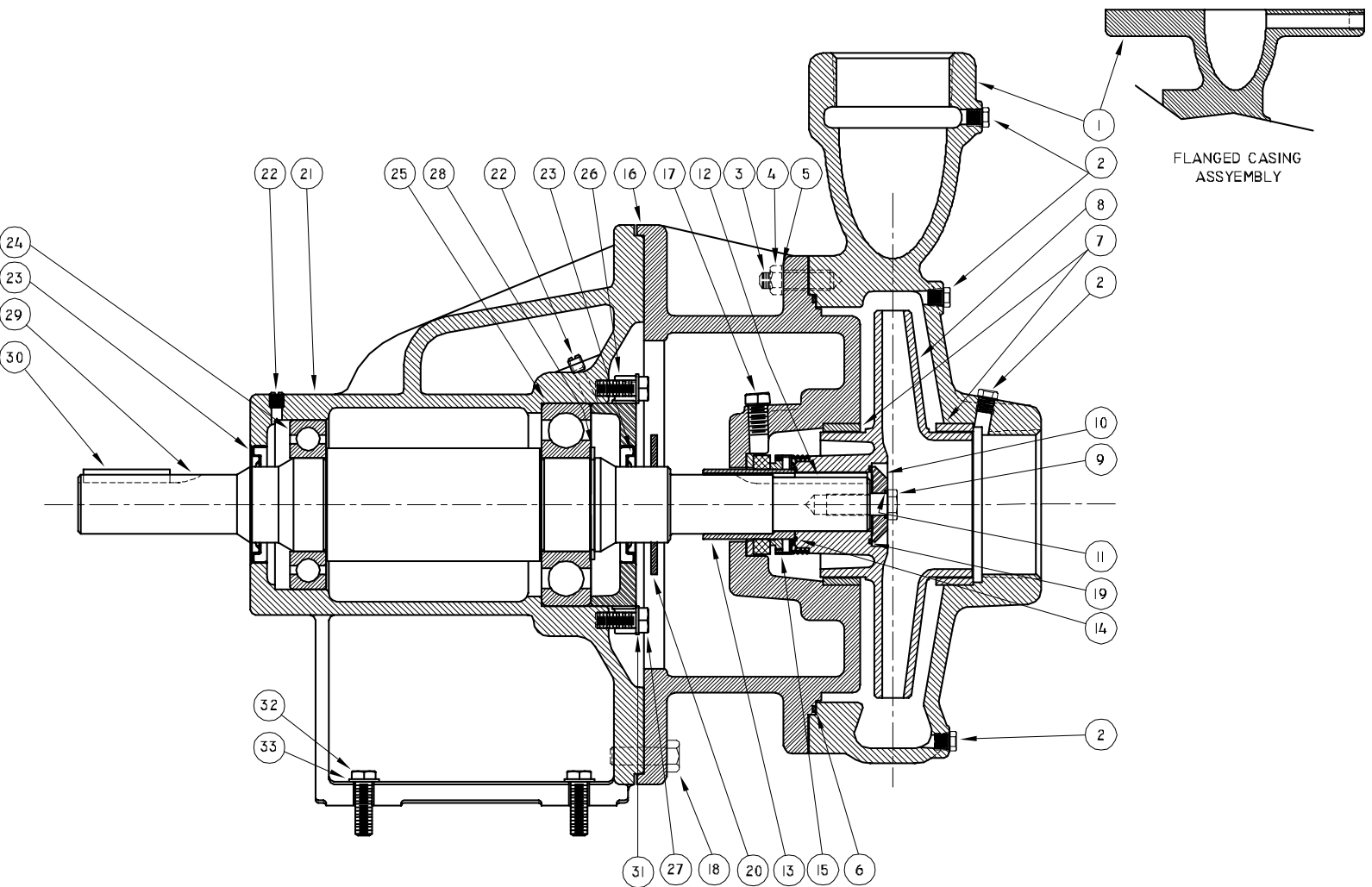


Centrifugals - Base Mounted



SECTION CBMP
PAGE 54
DATE 2/05



A Crane Co. Company

PUMPS & SYSTEMS

USA: (937) 778-8947 • Canada: (905) 457-6223 • International: (937) 615-3598

SYMBOL NUMBER	PART NUMBER	QTY	DESCRIPTION
16	21310	1	Adapter Assy ♦ - GNC7-2-1/2
	21174	1	Adapter - GNC9-2
	21174-1	1	Adapter ♦ - GNC9-2-1/2
	21349	1	Adapter ♦ - GNC9-3F
17	04236	1	Pipe Plug 1/4" - Bronze
18	Q15-4-E26	4	Cap Screw
+ 19	21090	1	Flat Gasket +
	22140	1	O-Ring Gasket - Buna-N (Std)
	22141	1	O-Ring Gasket - Viton
	22143	1	O-Ring Gasket - EPT**
	22142	1	O-Ring Gasket - Teflon
20	21093	1	Slinger Washer
21	21275	1	Bearing Housing
22	01691	2	Plug
23	21278	2	Seal
24	21280	1	Outboard Bearing
25	21279	1	Inboard Bearing
26	21276	1	Cover, Inboard Bearing
27	04235	2	Cap Screw
28	21281	1	Retaining Ring
29	21277	1	Shaft
30	21286	1	Key
31	01609-A	2	Washer
32	1-68-6	4	Cap Screw
33	03249	4	Washer
	21282	1	Power Frame Assy. (Includes Symbols 20-31)

"CONTINUED ON NEXT PAGE"

- (*) Casing Assy. include Symbol Numbers 2, 3 & 7.
- (**) For hot water or Caustic service.
- (+) Series GNC pumps have been manufactured with either flat or O-ring type gaskets. Determine which type is required before ordering. When in doubt, order flat gaskets.
- (++) Specific impeller diameter is identified by the last 3 digits of the Pump Catalog Number. To order correct impeller, this 3 digit suffix must be added to basic impeller number listed above. EXAMPLE: For Pump Catalog No. GNC7-2½-1/2-6.50, order impeller Part No. 21087-6.50.
- (♦) Adapter Assy. includes Symbol number 7.

SYMBOL NUMBER	PART NUMBER	QTY	DESCRIPTION	
1	22154	1	Casing Assy - GNC7-2-1/2	
	22272	1	Casing Assy - GNC7-2-1/2F (Flanged)	
	22156	1	Casing Assy - GNC9-2	
	22273	1	Casing Assy - GNC9-2F (Flanged)	
	22157	1	Casing Assy - GNC9-2-1/2	
	22274	1	Casing Assy - GNC9-2-1/2F (Flanged)	
	22275	1	Casing Assy - GNC9-3F, GNC9A-3F (Flanged)	
2	01691-A	6	Pipe Plug - 1/8" Bronze	
3	20424	8/12	Stud - GNC7 / GNC9	
4	15-6-6	8/12	Nut - GNC7 / GNC9	
5	20059	8/12	Washer - GNC7/ GNC9	
+ 6	GNC7 PUMP SERIES			
	20418	1	Flat Gasket +	
	23003	1	O-Ring Gasket - Buna-N (Std)	
	23004	1	O-Ring Gasket - Viton	
	23005	1	O-Ring Gasket - EPT**	
	23006	1	O-Ring Gasket - Teflon	
	GNC9 PUMP SERIES			
	20425	1	Flat Gasket +	
	23007	1	O-Ring Gasket - Buna-N (Std)	
	23008	1	O-Ring Gasket - Viton	
	23009	1	O-Ring Gasket - EPT**	
	23010	1	O-Ring Gasket - Teflon	
	7	20680	2	Wear Ring - GNC7-2-1/2, 9-2-1/2
		09923-E	1	Wear Ring - GNC9-2
21315		2	Wear Ring - GNC9-3F	
++ 8	21087	1	Impeller - GNC7-2-1/2	
	21172	1	Impeller - GNC9-2	
	21203	1	Impeller - GNC9-2-1/2	
	21557	1	Impeller - GNC9-3F	
	23272	1	Impeller - GNC9A-3F	
9	01638-A	1	Cap Screw - SS	
	22106	1	Washer - Bronze	
11	22086	1	O-Ring Gasket - Buna-N (Std)	
	22087	1	O-Ring Gasket - Viton	
	22095	1	O-Ring Gasket - EPT**	
	22088	1	O-Ring Gasket - Teflon	
12	22107	1	Key	
	22066	1	Shaft Sleeve - Bronze	
+ 14	21092	1	Flat Gasket +	
	22089	1	O-Ring Gasket - Buna-N (Std)	
	22090	1	O-Ring Gasket - Viton	
	22096	1	O-Ring Gasket - EPT**	
	22091	1	O-Ring Gasket - Teflon	
15	21136	1	Mechanical Seal - Buna-N (Std)	
	21189	1	Mechanical Seal - Viton	
	21721	1	Mechanical Seal - EPT**	

SYMBOL NUMBER	PART NUMBER	QTY	DESCRIPTION
+ 8	21087-A	1	Impeller, Iron - GNC7-2-1/2
	21172-A	1	Impeller - GNC9-2
	21203-A	1	Impeller - GNC9-2-1/2
	21557-A	1	Impeller - GNC9-3F
	23272	1	Impeller - GNC9A-3F
	23272-A	1	Impeller - GNC9A-3F
10	22106-A	1	Washer - Steel
13	22066-A	1	Shaft Sleeve - SS
16	21310-B	1	Adapter Assy ♦ - GNC7-2-1/2
	21174-B-1	1	Adapter Assy ♦ - GNC9-2-1/2
17	21349-B	1	Adapter Assy ♦ - GNC9-3F
	04236-A	1	Pipe Plug 1/4" - SS

(*) Casing Assy. include Symbol Numbers 2, 3 & 7.

(**) For hot water or Caustic service.

(+) Series GNC pumps have been manufactured with either flat or O-ring type gaskets. Determine which type is required before ordering. When in doubt, order flat gaskets.

(++) Specific impeller diameter is identified by the last 3 digits of the Pump Catalog Number. To order correct impeller, this 3 digit suffix must be added to basic impeller number listed above. EXAMPLE: For Pump Catalog No. GNC7-2-1/2-6.50, order impeller Part No. 21087-6.50.

(♦) Adapter Assy. includes Symbol number 7.

SYMBOL NUMBER	PART NUMBER	QTY	DESCRIPTION
DIFFERING PARTS FOR ALL BRONZE CONSTRUCTION			
* 1	22154-A	1	Casing Assy - GNC7-2-1/2
	22272-A	1	Casing Assy - GNC7-2-1/2F (Flanged)
	22156-A	1	Casing Assy - GNC9-2
	22273-A	1	Casing Assy - GNC9-2F (Flanged)
	22157-A	1	Casing Assy - GNC9-2-1/2
	22274-A	1	Casing Assy - GNC9-2-1/2F (Flanged)
	22275-A	1	Casing Assy - GNC9-3F, GNC9A-3F (Flanged)
	4	03160-A	8/12
9	01638-B	1	Cap Screw - Bronze
16	21310-A	1	Adapter Assy ♦ - GNC7-2-1/2
	21174-A	1	Adapter - GNC9-2
	21174-A-1	1	Adapter ♦ - GNC9-2-1/2
	21349-A	1	Adapter ♦ - GNC9-3F
DIFFERING PARTS FOR ALL IRON CONSTRUCTION			
* 1	22154-B	1	Casing Assy - GNC7-2-1/2
	22272-B	1	Casing Assy - GNC7-2-1/2F (Flanged)
	22156-B	1	Casing Assy - GNC9-2
	22273-B	1	Casing Assy - GNC9-2F (Flanged)
	22157-B	1	Casing Assy - GNC9-2-1/2
	22274-B	1	Casing Assy - GNC9-2-1/2F (Flanged)
22275-B	1	Casing Assy - GNC9-3F, GNC9A-3F (Flanged)	
2	00158	6	Pipe Plug, 1/8" - Steel
7	20680-A	2	Wear Ring - GNC7-2-1/2, 9-2-1/2
	09923-A	1	Wear Ring - GNC9-2
	21315-A	2	Wear Ring - GNC9-3F