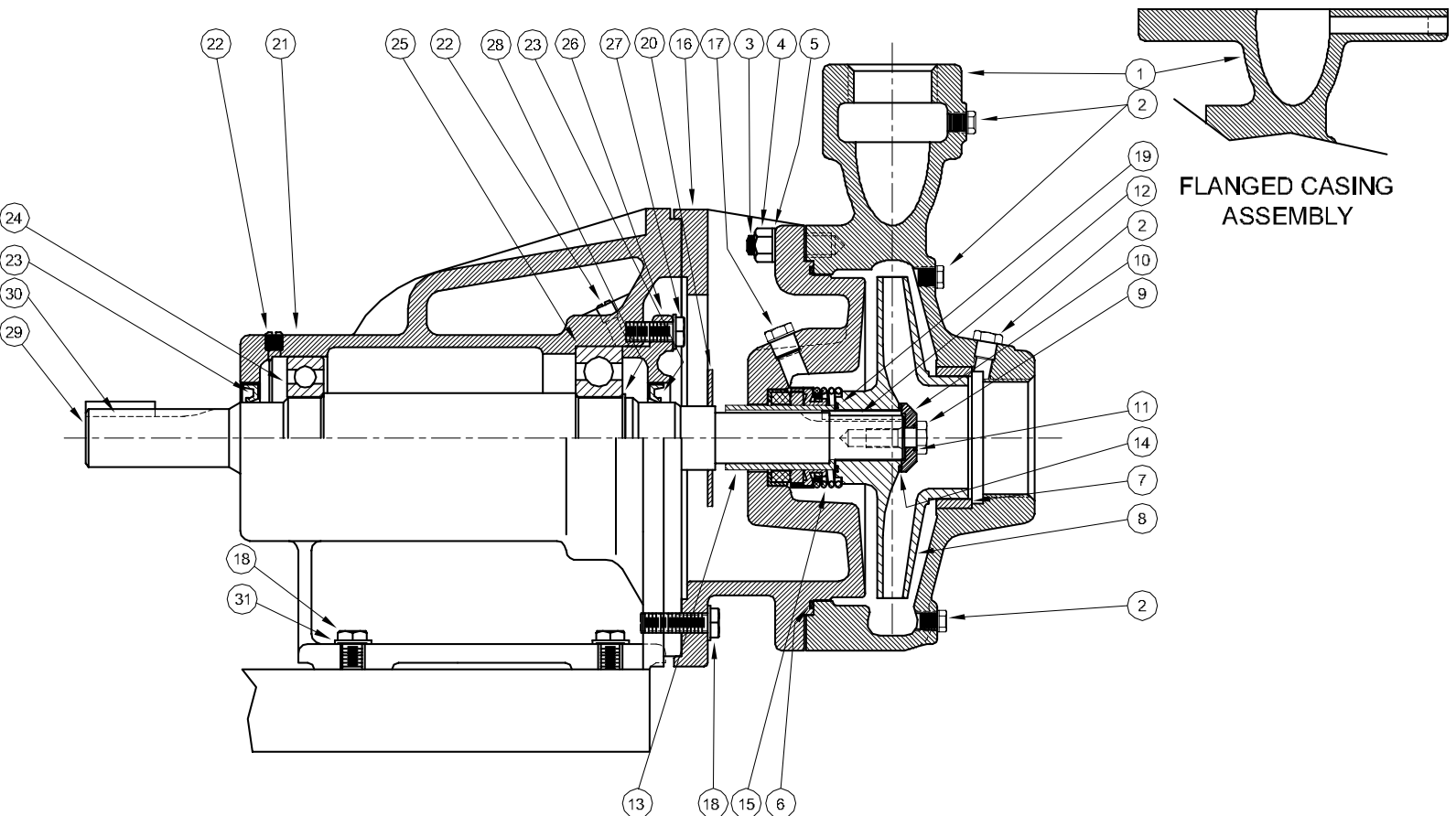


Centrifugals - Base Mounted



SECTION CBMP
PAGE 48
DATE 2/05

CRANE[®]

A Crane Co. Company

PUMPS & SYSTEMS

USA: (937) 778-8947 • Canada: (905) 457-6223 • International: (937) 615-3598

| SYMBOL NUMBER | PART NUMBER | QTY | DESCRIPTION |
|---------------|-------------|-----|--------------------------------|
| ++ 8 | 09928 | 1 | Impeller - GNB6-1-1/2 |
| | 09929 | 1 | Impeller - GNB6-2 |
| | 20678 | 1 | Impeller - GNB6-2-1/2 |
| | 20420 | 1 | Impeller - GNB7-2 |
| | 20421 | 1 | Impeller - GNB7A-2 |
| | 21087-1 | 1 | Impeller - GNB7-2-1/2 |
| | 20427 | 1 | Impeller - GNB9-1-1/2 |
| | 21172-1 | 1 | Impeller - GNB9-2 |
| | 21203-1 | 1 | Impeller - GNB9-2-1/2 |
| | 21557-1 | 1 | Impeller - GNB9-3F |
| 9 | 1-529-1 | 1 | Cap Screw - SS |
| 10 | 22105-C | 1 | Washer - Bronze |
| 11 | 22080 | 1 | O-Ring Gasket - Buna-N (Std) |
| | 2-31005-012 | 1 | O-Ring Gasket - Viton |
| | 22093 | 1 | O-Ring Gasket - EPT** |
| | 22082 | 1 | O-Ring Gasket - Teflon |
| 12 | 23014 | 1 | Key |
| 13 | 22063-C | 1 | Shaft Sleeve - Bronze |
| + 14 | 09933 | 1 | Flat Gasket + |
| | 22083 | 1 | O-Ring Gasket - Buna-N (Std) |
| | 22084 | 1 | O-Ring Gasket - Viton |
| | 22094 | 1 | O-Ring Gasket - EPT** |
| | 22085 | 1 | O-Ring Gasket - Teflon |
| 15 | 09917 | 1 | Mechanical Seal - Buna-N (Std) |
| | 09926 | 1 | Mechanical Seal - Viton |
| | 21271 | 1 | Mechanical Seal - EPT** |
| 16 | 09920 | 1 | Adapter - GNB6 |
| | 20419 | 1 | Adapter - GNB7 |
| | 20431 | 1 | Adapter Assy ♦ - GNB9 |
| 17 | 04236 | 1 | Pipe Plug 1/4" - Bronze |
| | 1-68-6 | 8 | Cap Screw |

"CONTINUED ON NEXT PAGE"

- (*) Casing Assy. include Symbol Numbers 2, 3 & 7.
- (**) For hot water or Caustic service.
- (+) Series GNB pumps have been manufactured with either flat or O-ring type gaskets. Determine which type is required before ordering. When in doubt, order flat gaskets.
- (++) Specific impeller diameter is identified by the last 3 digits of the Pump Catalog Number. To order correct impeller, this 3 digit suffix must be added to basic impeller number listed above. EXAMPLE: For Pump Catalog No. GNAB6-1-1/2-5.25, order impeller Part No. 09928-5.25
- (♦) Adapter Assy. includes symbol number 7.

| SYMBOL NUMBER | PART NUMBER | QTY | DESCRIPTION | |
|-------------------------|-------------------------|---------|--|-------------------------|
| * 1 | 22150 | 1 | Casing Assy - GNB6-1-1/2 | |
| | 22151 | 1 | Casing Assy - GNB6-2 | |
| | 22269 | 1 | Casing Assy - GNB6-2F (Flanged) | |
| | 22152 | 1 | Casing Assy - GNB6-2-1/2 | |
| | 22270 | 1 | Casing Assy - GNB6-2-1/2F (Flanged) | |
| | 22153 | 1 | Casing Assy - GNB7-2 & 7A-2 | |
| | 22271 | 1 | Casing Assy - GNB7-2F & 7A-2F (Flanged) | |
| | 22154 | 1 | Casing Assy - GNB7-2-1/2 | |
| | 22272 | 1 | Casing Assy - GNB7-2-1/2F (Flanged) | |
| | 22155 | 1 | Casing Assy - GNB9-1-1/2 | |
| | 22156 | 1 | Casing Assy - GNB9-2 | |
| | 22273 | 1 | Casing Assy - GNB9-2F (Flanged) | |
| | 22157 | 1 | Casing Assy - GNB9-2-1/2 | |
| | 22274 | 1 | Casing Assy - GNB9-2-1/2F (Flanged) | |
| | 22275 | 1 | Casing Assy - GNB9-3F (Flanged) | |
| | 2 | 01691-A | 6 | Pipe Plug - 1/8" Bronze |
| | 3 | 03075 | 8 | Stud - GNB6 |
| | | 20424 | 8/12 | Stud - GNB7/GNB9 |
| 4 | 15-23-6 | 8 | Nut - GNB6 | |
| | 15-6-6 | 8/12 | Nut - GNB7/GNB9 | |
| 5 | 01609-A | 8 | Washer - GNB6 | |
| | 20059 | 8/12 | Washer - GNB7/GNB9 | |
| GNB6 PUMP SERIES | | | | |
| | 09916 | 1 | Flat Gasket + | |
| | 22099 | 1 | O-Ring Gasket - Buna-N (Std) | |
| | 23000 | 1 | O-Ring Gasket - Viton | |
| | 23001 | 1 | O-Ring Gasket - EPT** | |
| | 23002 | 1 | O-Ring Gasket - Teflon | |
| GNB7 PUMP SERIES | | | | |
| + 6 | 20418 | 1 | Flat Gasket + | |
| | 23003 | 1 | O-Ring Gasket - Buna-N (Std) | |
| | 23004 | 1 | O-Ring Gasket - Viton | |
| | 23005 | 1 | O-Ring Gasket - EPT** | |
| | 23006 | 1 | O-Ring Gasket - Teflon | |
| | GNB9 PUMP SERIES | | | |
| | 20425 | 1 | Flat Gasket + | |
| | 23007 | 1 | O-Ring Gasket - Buna-N (Std) | |
| | 23008 | 1 | O-Ring Gasket - Viton | |
| | 23009 | 1 | O-Ring Gasket - EPT** | |
| | 23010 | 1 | O-Ring Gasket - Teflon | |
| 7 | 09915 | 1 | Wear Ring - GNB6-1-1/2, 7-2, 7A-2, 9-1-1/2 | |
| | 09923-E | 1 | Wear Ring - GNB6-2, GNB9-2 | |
| | 20680 | 1 | Wear Ring - GNB6-2-1/2, 7-2-1/2, 9-2-1/2 | |
| | 21315 | 1 | Wear Ring - GNB9-3F | |

| SYMBOL NUMBER | PART NUMBER | QTY | DESCRIPTION |
|--|-------------|-------------------------------------|--|
| DIFFERING PARTS FOR ALL IRON CONSTRUCTION | | | |
| * 1 | 22150-B | 1 | Casing Assy - GNB6-1-1/2 |
| | 22151-B | 1 | Casing Assy - GNB6-2 |
| | 22269-B | 1 | Casing Assy - GNB6-2F (Flanged) |
| | 22152-B | 1 | Casing Assy - GNB6-2-1/2 |
| | 22270-B | 1 | Casing Assy - GNB6-2-1/2F (Flanged) |
| | 22153-B | 1 | Casing Assy - GNB7-2 & 7A-2 |
| | 22271-B | 1 | Casing Assy - GNB7-2F & 7A-2F (Flanged) |
| | 22154-B | 1 | Casing Assy - GNB7-2-1/2 |
| | 22272-B | 1 | Casing Assy - GNB7-2-1/2F (Flanged) |
| | 22155-B | 1 | Casing Assy - GNB9-1-1/2 |
| | 22156-B | 1 | Casing Assy - GNB9-2 |
| | 22273-B | 1 | Casing Assy - GNB9-2F (Flanged) |
| 22157-B | 1 | Casing Assy - GNB9-2-1/2 | |
| 22274-B | 1 | Casing Assy - GNB9-2-1/2F (Flanged) | |
| 22275-B | 1 | Casing Assy - GNB9-3F (Flanged) | |
| 2 | 00158 | 6 | Pipe Plug 1/8" - Steel |
| 7 | 09915-A | 1 | Wear Ring, Steel - GNB6-1-1/2, 7-2. 7A-2 |
| | 09915-A | 2 | Wear Ring, Steel - GNB9-1-1/2 |
| | 09923-A | 1 | Wear Ring, Steel - GNB6-2, 9-2 |
| | 20680-A | 1 | Wear Ring, Steel - GNB6-2-1/2, 7-2-1/2 & 9-2-1/2 |
| | 21315-A | 1 | Wear Ring, Steel - GNB9-3F |
| ++ 8 | 09928-A | 1 | Impeller, Iron - GNB6-1-1/2 |
| | 09929-A | 1 | Impeller, Iron - GNB6-2 |
| | 20678-A | 1 | Impeller, Iron - GNB6-2-1/2 |
| | 20420-A | 1 | Impeller, Iron - GNB7-2 |
| | 20421-A | 1 | Impeller, Iron - GNB7A-2 |
| | 21087-A-1 | 1 | Impeller, Iron - GNB7-2-1/2 |
| | 20427-A | 1 | Impeller, Iron - GNB9-1-1/2 |
| | 21172-A-1 | 1 | Impeller, Iron - GNB9-2 |
| | 21203-A-1 | 1 | Impeller, Iron - GNB9-2-1/2 |
| | 21557-A-1 | 1 | Impeller, Iron - GNB9-3F |
| 10 | 22105-A | 1 | Washer - Steel |
| 13 | 22063-A | 1 | Shaft Sleeve - SS |
| 16 | 20431-B | 1 | Adapter Assy ♦ - GNB9-1-1/2 |
| 17 | 04236-A | 1 | Pipe Plug 1/4" - SS |

(*) Casing Assy. include Symbol Numbers 2, 3 & 7.

(**) For hot water or Caustic service.

(+) Series GNB pumps have been manufactured with either flat or O-ring type gaskets. Determine which type is required before ordering. When in doubt, order flat gaskets.

(++) Specific impeller diameter is identified by the last 3 digits of the Pump Catalog Number. To order correct impeller, this 3 digit suffix must be added to basic impeller number listed above. EXAMPLE: For Pump Catalog No. GNAB6-1-1/2-5.25, order impeller Part No. 09928-5.25

♦ Adapter Assy. includes symbol number 7.

| SYMBOL NUMBER | PART NUMBER | QTY | DESCRIPTION | |
|--|-------------|---------|--|--------------------|
| + 19 | 09911 | 1 | Flat Gasket + | |
| | 22083 | 1 | O-Ring Gasket - Buna-N (Std) | |
| | 22084 | 1 | O-Ring Gasket - Viton | |
| | 22094 | 1 | O-Ring Gasket - EPT** | |
| | 22085 | 1 | O-Ring Gasket - Teflon | |
| 20 | 09918 | 1 | Slinger Washer | |
| 21 | 20967 | 1 | Bearing Housing | |
| 22 | 01691 | 2 | Plug | |
| 23 | 20998 | 2 | Seal | |
| 24 | 21001 | 1 | Bearing, Outboard | |
| 25 | 052935 | 1 | Bearing, Inboard | |
| 26 | 20968 | 1 | Cover, Inboard Bearing | |
| 27 | 1-156-6 | 2 | Cap Screw | |
| 28 | 030650 | 1 | Retaining Ring | |
| 29 | 20977 | 1 | Shaft | |
| 30 | 03234 | 1 | Key | |
| 31 | 03249 | 4 | Washer | |
| | 21062 | 1 | Power Frame Assy. (Includes Symbol No. 20 thru 30) | |
| DIFFERING PARTS FOR ALL BRONZE CONSTRUCTION | | | | |
| * 1 | 22150-A | 1 | Casing Assy - GNB6-1-1/2 | |
| | 22151-A | 1 | Casing Assy - GNB6-2 | |
| | 22269-A | 1 | Casing Assy - GNB6-2F (Flanged) | |
| | 22152-A | 1 | Casing Assy - GNB6-2-1/2 | |
| | 22270-A | 1 | Casing Assy - GNB6-2-1/2F (Flanged) | |
| | 22153-A | 1 | Casing Assy - GNB7-2 & 7A-2 | |
| | 22271-A | 1 | Casing Assy - GNB7-2F & 7A-2F (Flanged) | |
| | 22154-A | 1 | Casing Assy - GNB7-2-1/2 | |
| | 22272-A | 1 | Casing Assy - GNB7-2-1/2F (Flanged) | |
| | 22155-A | 1 | Casing Assy - GNB9-1-1/2 | |
| | 22156-A | 1 | Casing Assy - GNB9-2 | |
| | 22273-A | 1 | Casing Assy - GNB9-2F (Flanged) | |
| | 22157-A | 1 | Casing Assy - GNB9-2-1/2 | |
| | 22274-A | 1 | Casing Assy - GNB9-2-1/2F (Flanged) | |
| | 22275-A | 1 | Casing Assy - GNB9-3F (Flanged) | |
| | 4 | 03160-A | 12 | Nut - GNB7 & GNB9 |
| | | 05536 | 8 | Nut - GNB6 |
| | 5 | 01609-B | 8 | Washer - GNB6 |
| | 9 | 03289 | 1 | Cap Screw - Bronze |
| | 16 | 09920-B | 1 | Adapter - GNB6 |
| 20419-B | | 1 | Adapter - GNB7 | |
| 20431-A | | 1 | Adapter Assy. ♦ - GNB9 | |
| 22845 | | 1 | Adapter - GNB-GA7 Series | |
| 18 | 01638-B | 8 | Cap Screw | |