

SECTION	2D
PAGE	2
ISSUED	2/03
REPLACES	12/01



420 Third Street
Piqua, Ohio 45356-0603
Phone: (937) 778-8947 Fax: (937) 773-7157

FEATURES

MAXIMUM OPERATING CONDITIONS	
TEMPERATURE (For Standard Buna-N Seal)	225°F (107°C)
INLET PRESSURE	100 PSI (690 kpa)
CASING WORKING PRESSURE	200 PSI (1379kpa)

Overload Protection: All single phase ODP and Totally Enclosed motors have built-in overload protection. All three phase motors and all explosion proof motors must be installed with a magnetic starter which provides full 3-leg protection. Failure to use correct starter and overloads will void motor warranty.

MOTORS

Standard pump motors have open drip proof construction and are rated with jet pump service factors for continuous duty operation. Open Drip Proof motors are 56 frame size with NEMA standard mounting flange, one piece threaded stainless steel shaft and ball/ball bearing construction.

MOTOR INFORMATION

60 Hz - 3500 RPM - ODP

50 Hz - 2900 RPM - ODP

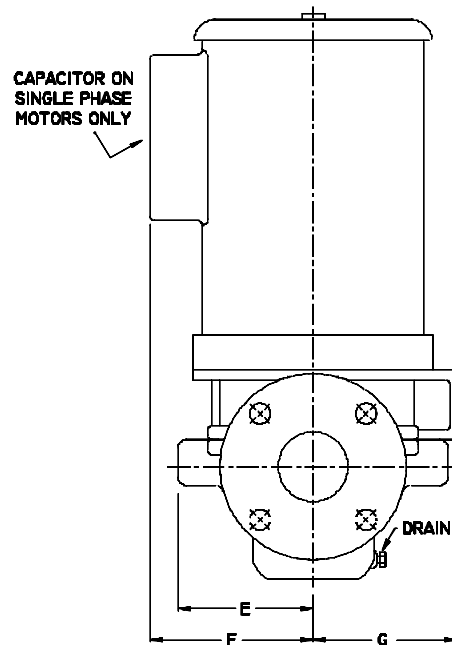
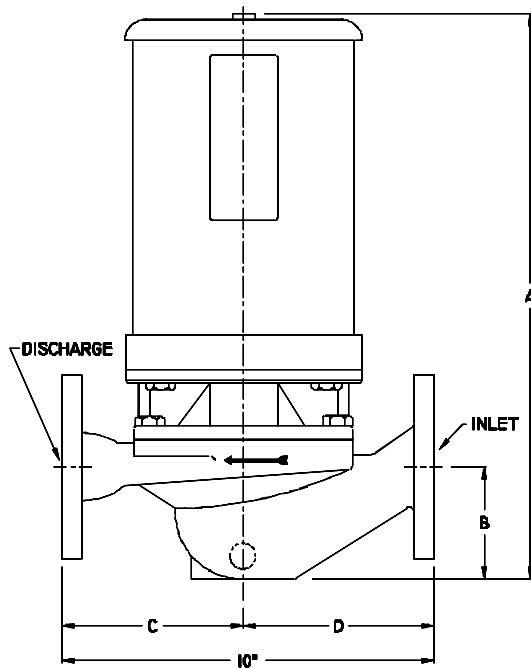
Single Phase: 115/230 V.

Three Phase: 208-230/460 V

Voltages may differ from some suppliers. Consult factory.

MATERIALS OF CONSTRUCTION

PART	ALL IRON	BRONZE FITTED	ALL BRONZE
Adapter	Cast Iron	Cast Iron	Bronze
Casing	Cast Iron	Cast Iron	Bronze
Shaft	#303 Stainless	#303 Stainless	#303 Stainless
Impeller	Cast Iron	Bronze	Bronze
Wear Ring	Steel	Bronze	Bronze
Shaft Seal	Carbon-Ceramic S. Steel-Buna-N	Carbon-Ceramic S. Steel-Buna-N	Carbon-Ceramic S. Steel-Buna-N



DIMENSIONS IN INCHES & MILLIMETERS (mm)

MODEL	H.P.	1 PH A	3 PH A	B	C	D	E	F	G
3GB5-1 ¹ / ₂ F	¹ / ₃	13 ⁷ / ₈ (352)	14 ⁵ / ₈ (371)	2 ³ / ₄ (70)	5 (127)	5 (127)	3 ¹ / ₂ (89)	5 ⁷ / ₁₆ (138)	4 (102)
5GB5-1 ¹ / ₂ F	¹ / ₂	14 ³ / ₈ (365)	14 ⁵ / ₈ (371)	2 ³ / ₄ (70)	5 (127)	5 (127)	3 ¹ / ₂ (89)	5 ⁷ / ₁₆ (138)	4 (102)
7GB5-1 ¹ / ₂ F	³ / ₄	14 ⁷ / ₈ (378)	15 ¹ / ₈ (384)	2 ³ / ₄ (70)	5 (127)	5 (127)	3 ¹ / ₂ (89)	5 ⁷ / ₁₆ (138)	4 (102)
10GB5-1 ¹ / ₂ F	1	15 ³ / ₈ (391)	15 ⁵ / ₈ (397)	2 ³ / ₄ (70)	5 (127)	5 (127)	3 ¹ / ₂ (89)	5 ⁷ / ₁₆ (138)	4 (102)
15GB5-1 ¹ / ₂ F	1 ¹ / ₂	16 ⁵ / ₈ (422)	15 ⁵ / ₈ (397)	2 ³ / ₄ (70)	5 (127)	5 (127)	3 ¹ / ₂ (89)	5 ⁷ / ₁₆ (138)	4 (102)
20GB5-1 ¹ / ₂ F	2	16 ⁵ / ₈ (422)	16 ¹ / ₄ (413)	2 ³ / ₄ (70)	5 (127)	5 (127)	3 ¹ / ₂ (89)	5 ⁷ / ₁₆ (138)	4 (102)

DIMENSIONS SHOWN ABOVE ARE APPROXIMATE MAXIMUM DIMENSIONS FOR STANDARD PUMPS EQUIPPED WITH ODP MOTORS.



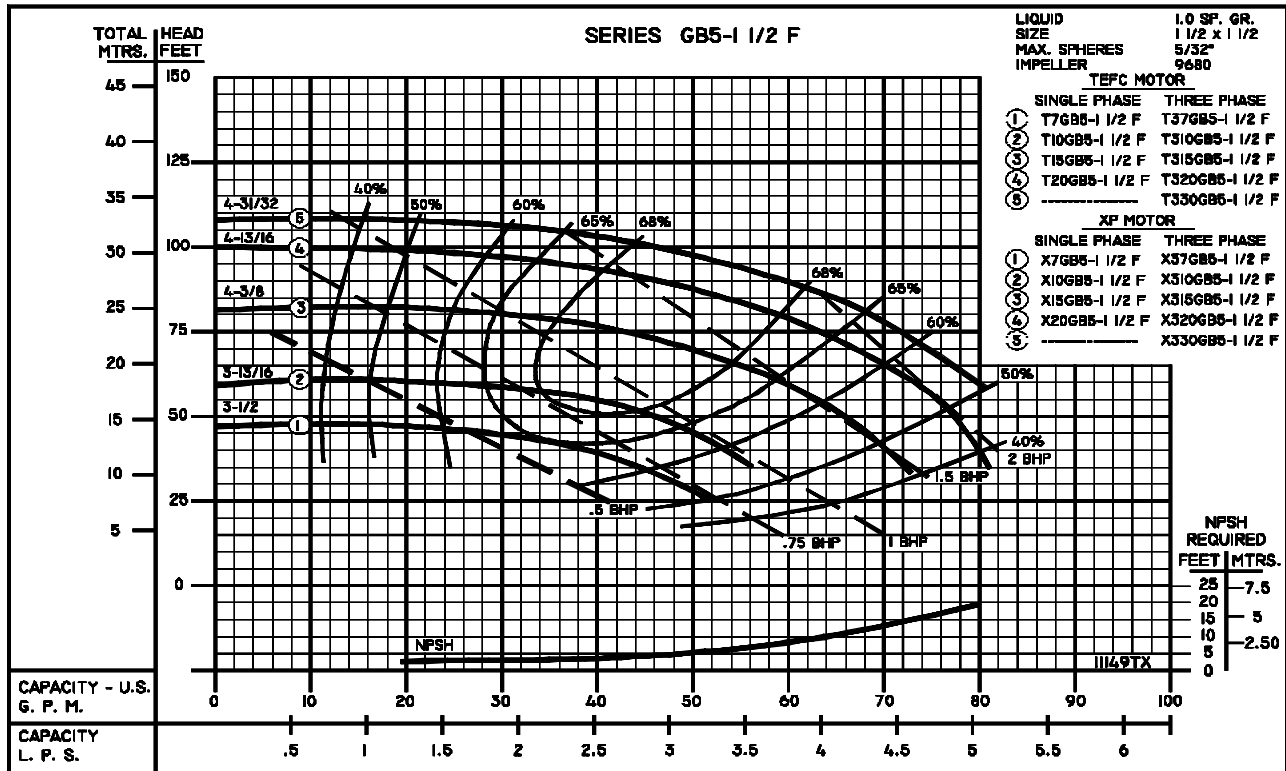
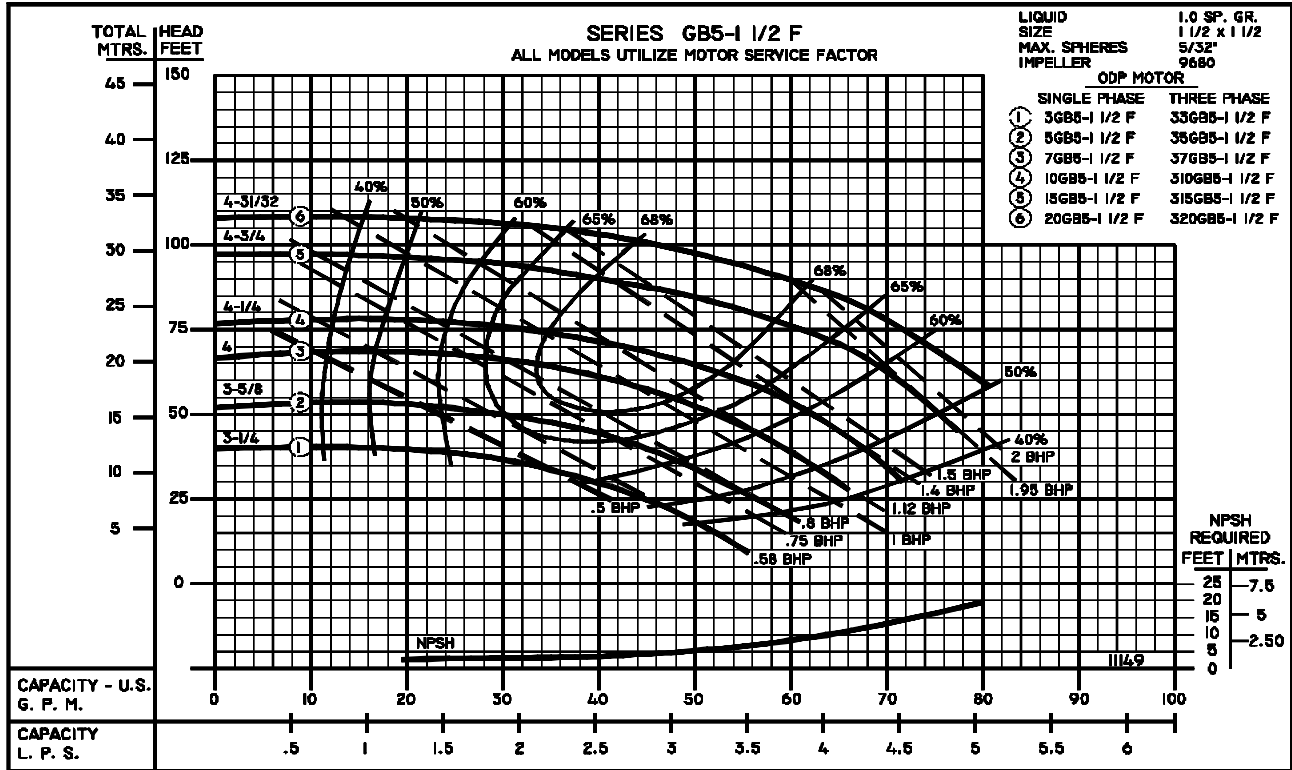
PUMPS & SYSTEMS

A Crane Co. Company

**60HZ
 PERFORMANCE CURVE**

SECTION	2D
PAGE	3
ISSUED	2/03
REPLACES	12/01

END SUCTION CENTRIFUGAL PUMPS



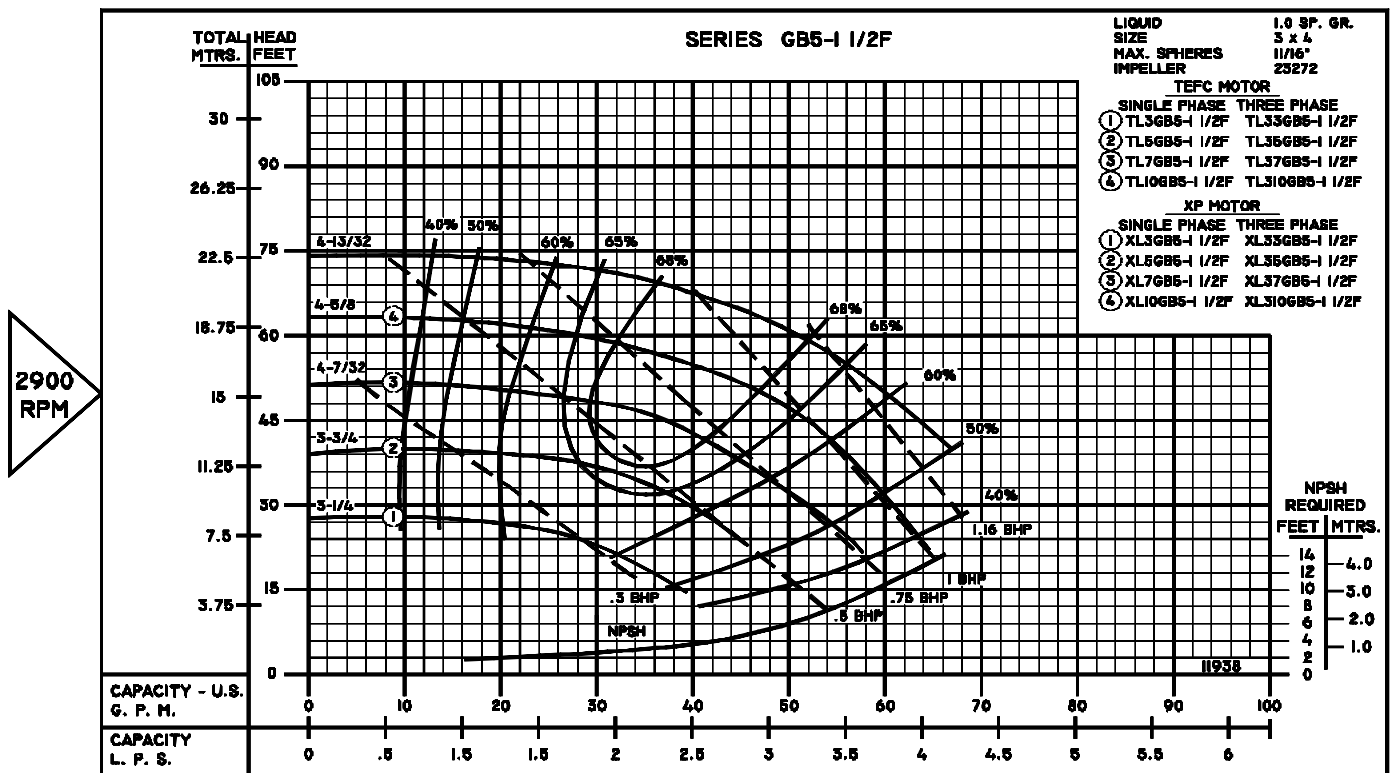
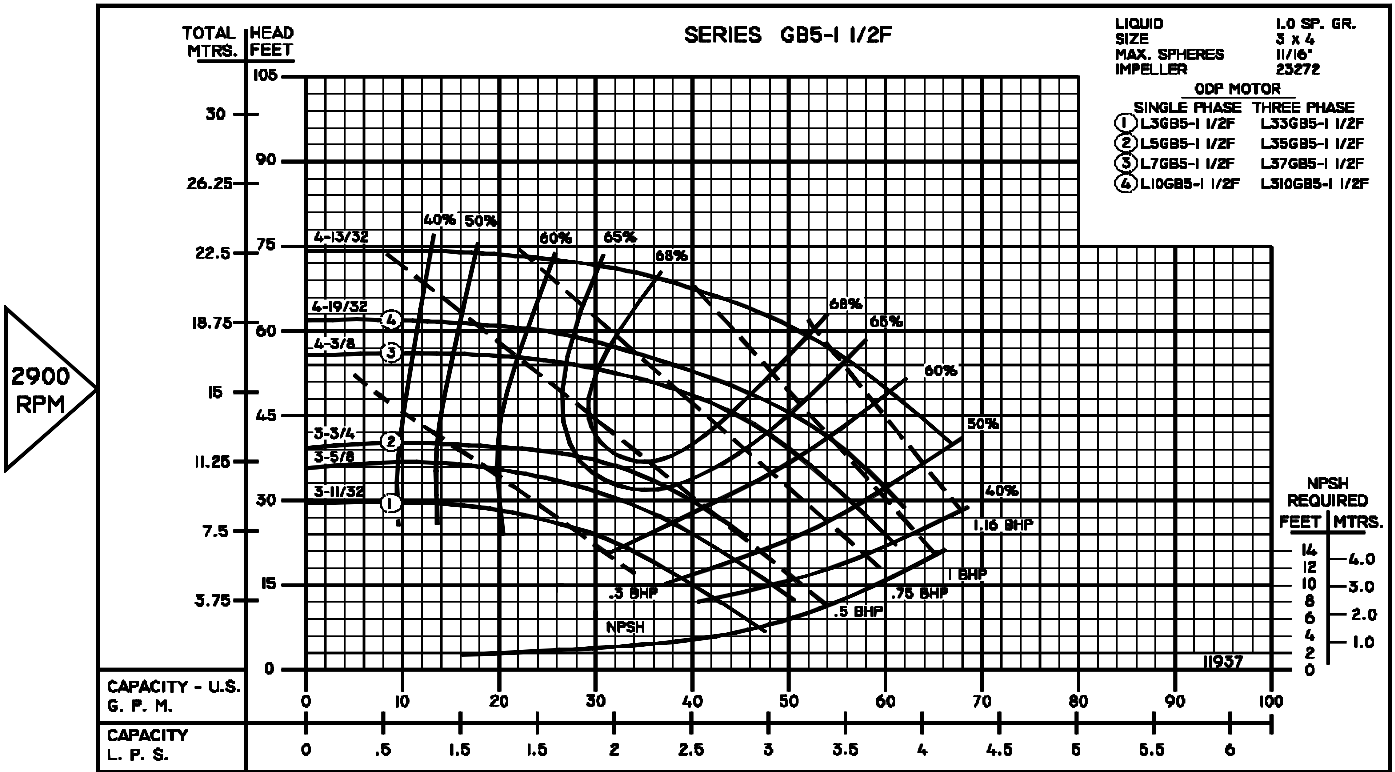
SECTION	2D
PAGE	4
ISSUED	2/03
REPLACES	12/01

50HZ PERFORMANCE CURVE



420 Third Street
Piqua, Ohio 45356-0603
Phone: (937) 778-8947 Fax: (937) 773-7157

END SUCTION CENTRIFUGAL PUMPS



PUMPS & SYSTEMS

A Crane Co. Company