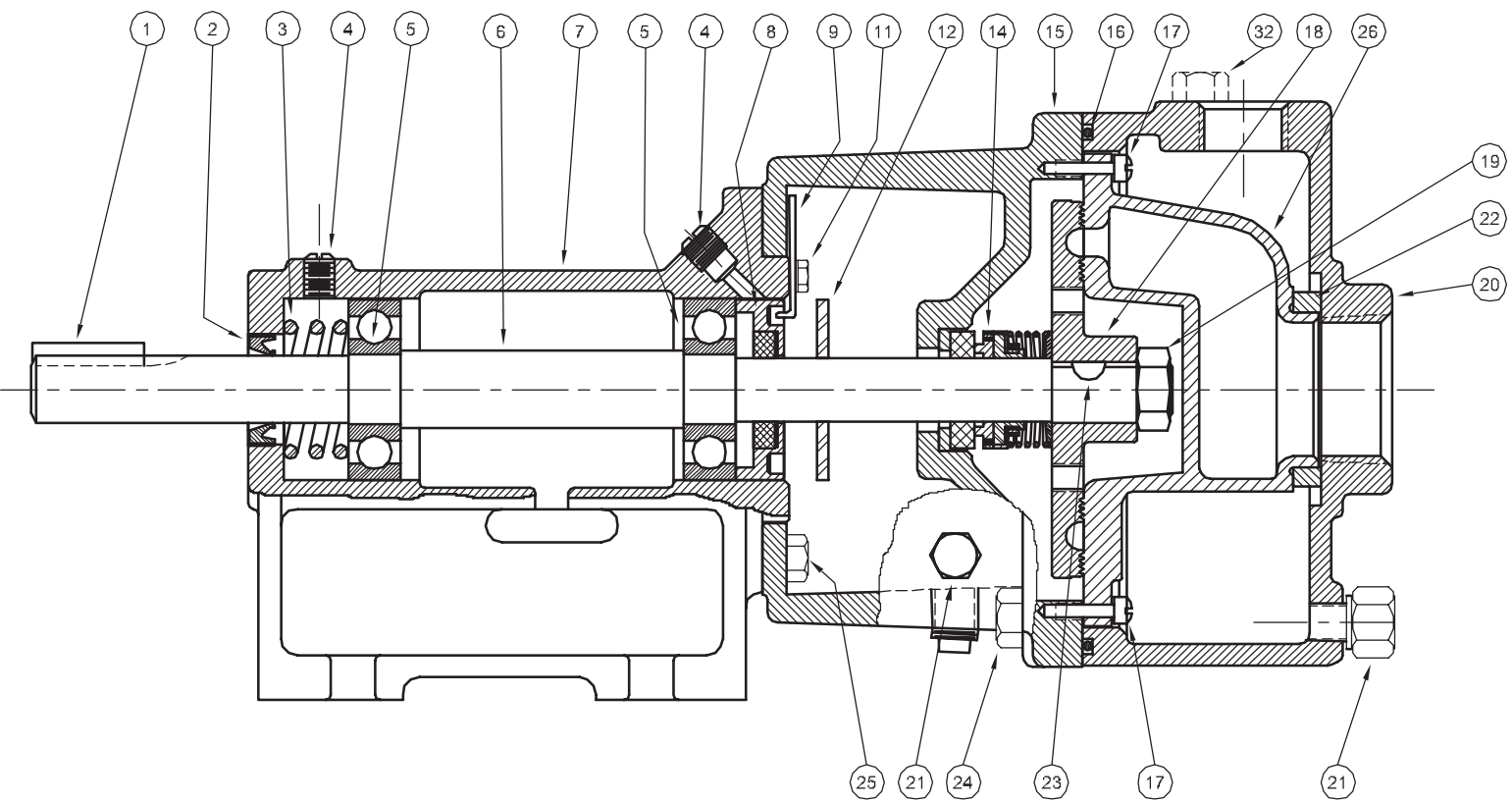
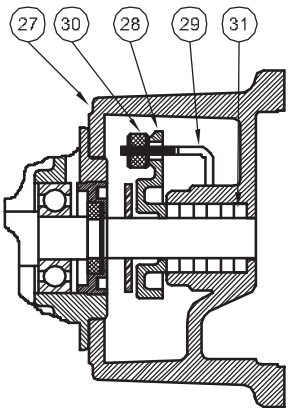


Series: ES

BURK'S
www.cranepumps.com

Turbines - Base Mounted



SECTION TBMP
PAGE 84
DATE 6/06

CRANE

A Crane Co. Company

PUMPS & SYSTEMS

USA: (937) 778-8947 • Canada: (905) 457-6223 • International: (937) 615-3598

SYMBOL NUMBER	PART NUMBER	QTY	DESCRIPTION
26	09789-5	1	Raceway - ES5M
	09789-6	1	Raceway - ES6M
	09789-7	1	Raceway - ES7M
	09789-8	1	Raceway - ES8M
	09789-9	1	Raceway - ES9M
27	09792	1	Frame (for stuffing box)
28	05812-B	1	Gland, Stuffing Box
29	07003	2	Gland Bolt
30	04211	2	Gland Nut
31	05468	5	Packing
32	02953	1	Pipe Plug - 1/2"
	21348	1	Power Frame Assy (Includes symbols 1 thru 8 and 12)
DIFFERING PARTS FOR ALL BRONZE CONSTRUCTION			
15	09787-A	1	Frame (for mechanical seal)
27	09792-A	1	Frame (for packing gland)
20	09790-C	1	Case
25	03121-A	4	Cap Screw
24	08771	4	Cap Screw - SS

REPAIR KITS FOR CT SERIES PUMPS	
CATALOG NO.	FOR USE WITH
20522-5	ES5M
20522-6	ES6M
20522-7	ES7M
20522-8	ES8M
20522-9	ES9M

Kit includes: Impeller, Raceway, Mechanical Seal, Gasket, Suction Sleeve, Raceway Screws, Impeller Locknut, Shaft Key and Instructions

(*) Standard impellers are suitable for fluid temperatures to 250°F (121°C). For higher temperatures, add the designation "HT" to impeller part number.

This includes all "MJ" Jacketed Seal Pumps. EXAMPLE: SA09788-HT-5

NOTE 1: Impeller and Raceways **must** be ordered as a set. NOT available individually.

SYMBOL NUMBER	PART NUMBER	QTY	DESCRIPTION
1	01420	1	Key
2	20939	1	Oil Seal
3	20922	1	Spring
4	01691	2	Plug, 1/8"
5	21463	2	Bearing
6	20921	1	Shaft
7	20920	1	Bearing Housing
8	09781	1	Impeller Adjusting Screw
9	07576	1	Lock, Adjusting Screw
11	07577	1	Screw - #10-24 x 3/8" Lg
12	08324		Slinger Washer
14	08991	1	Mechanical Seal - Buna-N (Std)
	09813-C	1	Mechanical Seal - Viton
	21934	1	Mechanical Seal - EPT
15 16	09787	1	Frame (for mechanical seal)
	09791	1	O-Ring Gasket - Buna-N (Std)
	09817	1	O-Ring Gasket - Viton
	22135	1	O-Ring Gasket - EPT
	22104	1	O-Ring Gasket - Teflon
	02535	2	Screw, Raceway to Frame
* 18	SA09788-5	1	Impeller - ES5M
	SA09788-6	1	Impeller - ES6M
	SA09788-7	1	Impeller - ES7M
	SA09788-HT-8	1	Impeller - ES8M
	SA09788-HT-9	1	Impeller - ES9M
19	01404	1	Impeller Locknut
20	09790-B	1	Case
21	04236	3	Pipe Plug - 1/4"
22	04231	1	Suction Sleeve - Buna-N (Std)
	09695	1	Suction Sleeve - Viton
	20285	1	Suction Sleeve - EPT
23	01457	1	Key, Woodruff (as shown) (repair kit only)
	21748-A	1	Key, Square
24	01931	4	Cap Screw, 7/16-14 x 1 1/4" Lg
25	03121	4	Cap Screw, 1/4-20 x 3/4" Lg