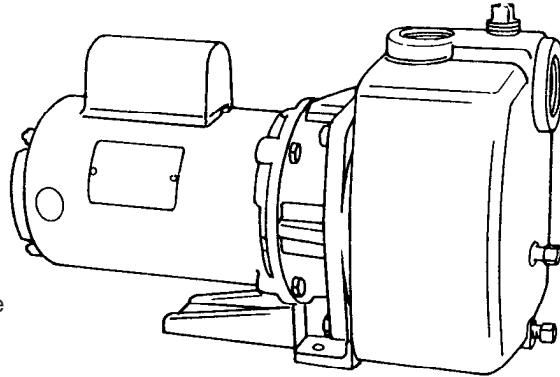


Self-Priming Centrifugal Pumps

APPLICATIONS

- Lawn Sprinkling
- Pressure Boosting
- Sprinkler Systems
- Light Irrigation
- Dewatering clean liquids
- Transfer from underground storage



- Fast Priming pumps stays primed. Flapper and check valves on suction pipe are not required, but are recommended.
- Non-overloading performance at all catalog ratings.
- Continuous duty motors.
- Leak Proof mechanical shaft seal - self adjusting
- Cast Iron Casing with suction, discharge, prime, vacuum gauge and drain tapings.
- All Bronze or All Iron construction available.
- Glass filled Noryl® enclosed impeller with molded-in brass insert.
- Every pump is factory tested and will meet Hydraulic Institute standards

MOTOR INFORMATION

60 Hz - 3500 RPM - ODP

Single Phase: 1 thru 2 Hp - 115/230 Volts; 3 Hp. - 230 Volt

Three Phase: 1 thru 3 Hp. - 208-230/460 Volt

Voltages may differ from some suppliers. Consult factory.

Overload Protection: All single phase ODP and TEFC motors must have built-in overload protection. All three phase motors and all explosion proof motors must be installed with a magnetic starter which provides full 3-leg protection. Failure to use correct starter and overloads will void motor warranty.

MATERIALS OF CONSTRUCTION

| PART | STANDARD | ALL IRON | ALL BRONZE |
|------------|-------------------------------|-------------------------------|-------------------------------|
| Adapter | Cast Iron | Cast Iron | Bronze |
| Case | Cast Iron | Cast Iron | Bronze |
| Diffuser | Cast Iron | Cast Iron | Bronze |
| Impeller | Noryl® | Cast Iron | Bronze |
| Shaft | #303 Stainless | #303 Stainless | #303 Stainless |
| Shaft Seal | Carbon-Ceramic SS - Buna-N | Carbon-Ceramic SS - Buna-N | Carbon-Ceramic SS - Buna-N |

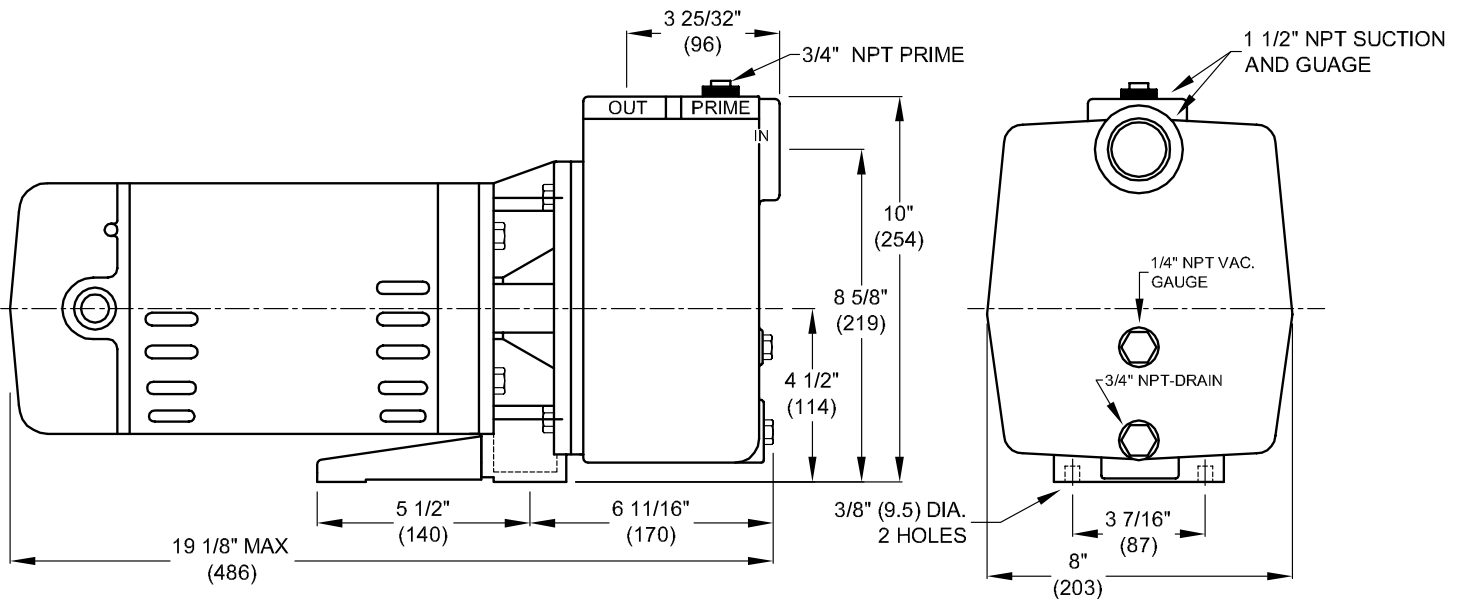
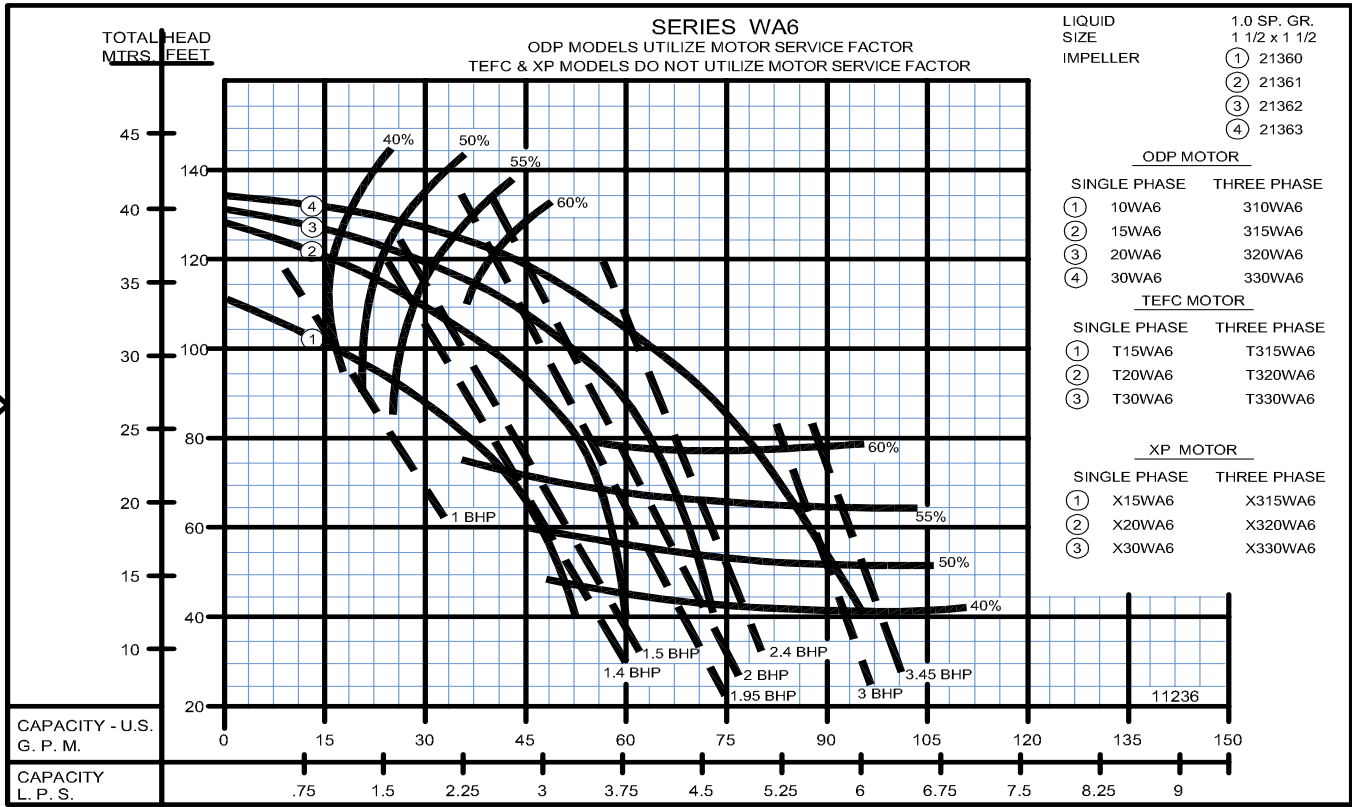
MAXIMUM OPERATING CONDITIONS

| | |
|---|-------------------|
| TEMPERATURE (For Standard Buna-N Seal) | 225°F (107°C) |
| INLET PRESSURE | 100 PSI (689kPa) |
| CASING WORKING PRESSURE | 200 PSI (1379kPa) |

60 HZ - PERFORMANCE AND SELECTION FOR SUCTION LIFT - 3500 RPM

| Catalog No. | HP | Suction & Discharge | Discharge Pressure Pounds | Capacity GPM (LPS) At Suction Lift and Discharge Pressure Shown | | | | | |
|-------------|----|---------------------|---------------------------|---|-------------------|------------------|--------------------|--------------------|--------------------|
| | | | | 0' Suction | 5' (1.5m) Suction | 10" (3m) Suction | 15' (4.5m) Suction | 20' (6.1m) Suction | 25' (7.6m) Suction |
| 10WA6 | 1 | 1½ | 20 (137kpa) | 52 (3.3) | 51 (3.2) | 48 (3.0) | 46 (2.9) | 43 (2.7) | 36 (2.2) |
| | | | 30 (206kpa) | 43 (2.7) | 39 (2.4) | 36 (2.2) | 33 (2.0) | 30 (1.8) | 25 (1.5) |
| | | | 40 (275kpa) | 23 (1.4) | 20 (1.2) | 14 (0.8) | 5 (0.3) | --- | --- |
| 15WA6 | 1½ | 1½ | 20 (137kpa) | 61 (3.8) | 61 (3.8) | 56 (3.5) | 53 (3.3) | 49 (3.0) | 41 (2.5) |
| | | | 30 (206kpa) | 58 (3.6) | 58 (3.6) | 54 (3.4) | 51 (3.2) | 47 (2.9) | 40 (2.5) |
| | | | 40 (275kpa) | 47 (2.9) | 43 (2.7) | 38 (2.3) | 35 (2.2) | 30 (1.8) | --- |
| | | | 50 (344kpa) | 24 (1.5) | 19 (1.1) | 9 (0.5) | --- | --- | --- |
| 20WA6 | 2 | 1½ | 20 (137kpa) | 73 (4.6) | 69 (4.3) | 67 (4.2) | 63 (3.9) | 58 (3.6) | 50 (3.1) |
| | | | 30 (206kpa) | 68 (4.2) | 67 (4.2) | 64 (4.0) | 61 (3.8) | 56 (3.5) | 48 (3.0) |
| | | | 40 (275kpa) | 58 (3.6) | 54 (3.4) | 50 (3.1) | 46 (2.9) | 41 (2.5) | 34 (2.1) |
| | | | 50 (344kpa) | 37 (2.3) | 31 (1.9) | 23 (1.4) | --- | --- | --- |
| 30WA6 | 3 | 1½ | 20 (137kpa) | 93 (5.8) | 93 (5.8) | 93 (5.8) | 92 (5.8) | 82 (5.1) | 66 (4.1) |
| | | | 30 (206kpa) | 85 (5.3) | 83 (5.2) | 83 (5.2) | 80 (5.0) | 76 (4.7) | 64 (4.0) |
| | | | 40 (275kpa) | 72 (4.5) | 68 (4.2) | 64 (4.0) | 59 (3.7) | 55 (3.4) | 46 (2.9) |
| | | | 50 (344kpa) | 50 (3.1) | 43 (2.7) | 35 (2.2) | 22 (1.3) | --- | --- |

Self-Priming Centrifugal Pumps



DO NOT USE FOR CONSTRUCTION PURPOSES. CERTIFIED DRAWINGS AVAILABLE ON REQUEST

SECTION 4B
PAGE 2
DATE 1/06

CRANE[®]
A Crane Co. Company

PUMPS & SYSTEMS