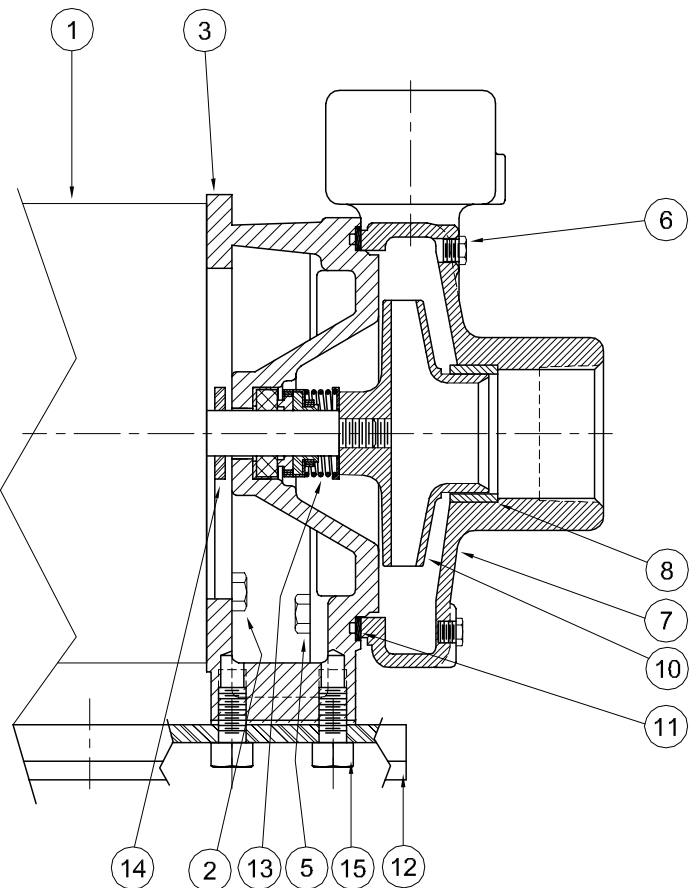
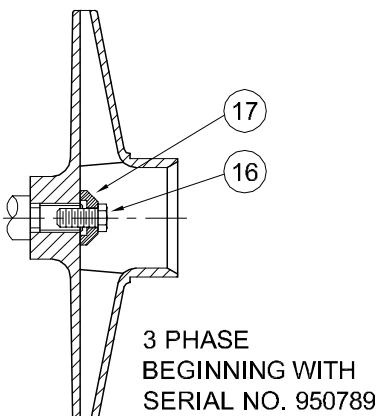


Centrifugals - Close Coupled



1 - MOTORS (All 56J Frame)			
RPM & PHASE	PART NUMBER	HP	
OPEN DRIP PROOF			
3500 RPM Single Phase (ODP)	09581	1/3	
	09582	1/2	
	09625	3/4	
	09650	1	
	09675	1½	
	09677	2	
3500 RPM Three Phase (ODP)	09737	3	
	09661	1/3	
	09662	1/2	
	09652	3/4	
	09653	1	
	09676	1½	
3500 RPM Three Phase (ODP)	09678	2	
	09738	3	
	TOTALLY ENCLOSED		
	3500 RPM Single Phase (TENV / TEFC)	09688	1/2
		09690	3/4
		09692	1
09774		1½	
3500 RPM Three Phase (TENV / TEFC)	09827	2	
	09689	1/2	
	09691	3/4	
	09693	1	
	09758	1½	
3500 RPM Three Phase (TENV / TEFC)	09829	2	
	21697	3	
	EXPLOSION PROOF		
	3500 RPM Single Phase (XP)	20655	1/2
20513		3/4	
20515		1	
20517		1½	
20519		2	
3500 RPM Three Phase (XP)	20656	1/2	
	20514	3/4	
	20516	1	
	20518	1½	
	20520	2	
09909	3		

SYMBOL NUMBER	PART NUMBER	QTY	DESCRIPTION
DIFFERING PARTS FOR ALL BRONZE CONSTRUCTION			
2	03122-A	4	Cap Screw
3	09630-A	1	Adapter - Bronze - G5-1-1/4
	09657-A	1	Adapter - Bronze - G6-1-1/4
5	03288	4	Cap Screw
* 7	22148-A	1	Casing Assy - G5-1-1/4AB
	22149-A	1	Casing Assy - G6-1-1/4AB
15	03289	2	Cap Screw & 20056 Washer
DIFFERING PARTS FOR ALL IRON CONSTRUCTION			
6	00158	5	Pipe Plug 1/8"
7	22148-B	1	Casing Assy - G5-1-1/4AI
	22149-B	1	Casing Assy - G6-1-1/4AI
8	09632-C	1	Wear Ring
10	09680-C-3.25	1	Impeller - 3G5-1-1/4AI
	09680-C-3.63	1	Impeller - 5G5-1-1/4AI
	09680-C-4.00	1	Impeller - 7G5-1-1/4AI
	09680-C-4.25	1	Impeller - 10G5-1-1/4AI
	09680-C-4.75	1	Impeller - 15G5-1-1/4AI
	09680-C-4.97	1	Impeller - 20G5-1-1/4AI
	09680-C-4.25	1	Impeller - 10G6-1-1/4AI
	09680-C-4.75	1	Impeller - 15G6-1-1/4AI
	09680-C-5.13	1	Impeller - 20G6-1-1/4AI
	09680-C-5.66	1	Impeller - 30G6-1-1/4AI
Stock pump Catalog Number shown are for 1 phase units. Use same impellers for 3 phase units.			
17	21181-A	1	Washer - SS
DIFFERING PARTS FOR G5-1¼SS CONSTRUCTION			
3	09630-B	1	Adapter
5	04235-A	4	Cap Screw SS
6	01691-B	5	Pipe Plug - 1/8" SS
7	09633-B	1	Casing Assy
10	09680-B-3.25	1	Impeller - 3G5-1-1/4SS
	09680-B-3.63	1	Impeller - 5G5-1-1/4SS
	09680-B-4.00	1	Impeller - 7G5-1-1/4SS
	09680-B-4.25	1	Impeller - 10G5-1-1/4SS
	09680-B-4.75	1	Impeller - 15G5-1-1/4SS
	09680-B-4.97	1	Impeller - 20G5-1-1/4SS
11	23023	1	O-Ring Gasket - Buna N (Std)
	21021	1	O-Ring Gasket - Viton
	23024	1	O-Ring Gasket - EPT**
	21181-A	1	Washer - SS

(*) Includes Symbol 6 & 8

(**) For hot water or Caustic service.

(+) G5-1¼ and G6-1¼ Series pumps have been manufactured with either a flat or O-ring type gasket. Determine which type is required before ordering. When in doubt, order flat gasket.

SYMBOL NUMBER	PART NUMBER	QTY	DESCRIPTION	
2	03122	4	Cap Screw	
3	09630	1	Adapter - G5-1-1/4	
	09630-C	1	Adapter w/Flush Tap - G5-1-1/4	
	09657	1	Adapter - G6-1-1/4	
	09657-2	1	Adapter w/Flush Tap - G6-1-1/4	
5	04235	4	Cap Screw, 3/8" x 1¼" Lg	
6	01691-A	5	Pipe Plug, 1/8" Brass	
* 7	22148	1	Casing Assy - G5-1-1/4	
	22149	1	Casing Assy - G6-1-1/4	
8	09632-D	1	Wear Ring	
10	09680-3.25	1	Impeller - 3G5-1-1/4	
	09680-3.63	1	Impeller - 5G5-1-1/4	
	09680-4.00	1	Impeller - 7G5-1-1/4	
	09680-4.25	1	Impeller - 10G5-1-1/4	
	09680-4.75	1	Impeller - 15G5-1-1/4	
	09680-4.97	1	Impeller - 20G5-1-1/4	
	09680-4.25	1	Impeller - 10G6-1-1/4	
	09680-4.75	1	Impeller - 15G6-1-1/4	
	09680-5.13	1	Impeller - 20G6-1-1/4	
	09680-5.66	1	Impeller - 30G6-1-1/4	
Stock pump Catalog Number shown are for 1 phase units. Use same impellers for 3 phase units.				
+11	09634	1	Flat Gasket - G5-1-1/4	
	08507	1	Flat Gasket - G6-1-1/4	
	G5-1¼ Series			
	21333	1	O-Ring Gasket - Buna N (Std)	
	21546	1	O-Ring Gasket - Viton	
	22132	1	O-Ring Gasket - EPT**	
	22058	1	O-Ring Gasket - Teflon	
	G6-1¼ Series			
	22021	1	O-Ring Gasket - Buna N (Std)	
	22020	1	O-Ring Gasket - Viton	
22133	1	O-Ring Gasket - EPT**		
22102	1	O-Ring Gasket - Teflon		
12	08827	1	Base	
13	08514	1	Mechanical Seal - Buna N (Std)	
	09762	1	Mechanical Seal - Viton	
	20764-C	1	Mechanical Seal - EPT**	
	08105	1	Slinger Washer	
15	01928	2	Cap Screw & 03503 Washer	
16	21182	1	Screw	
17	21181-C	1	Washer - Bronze	