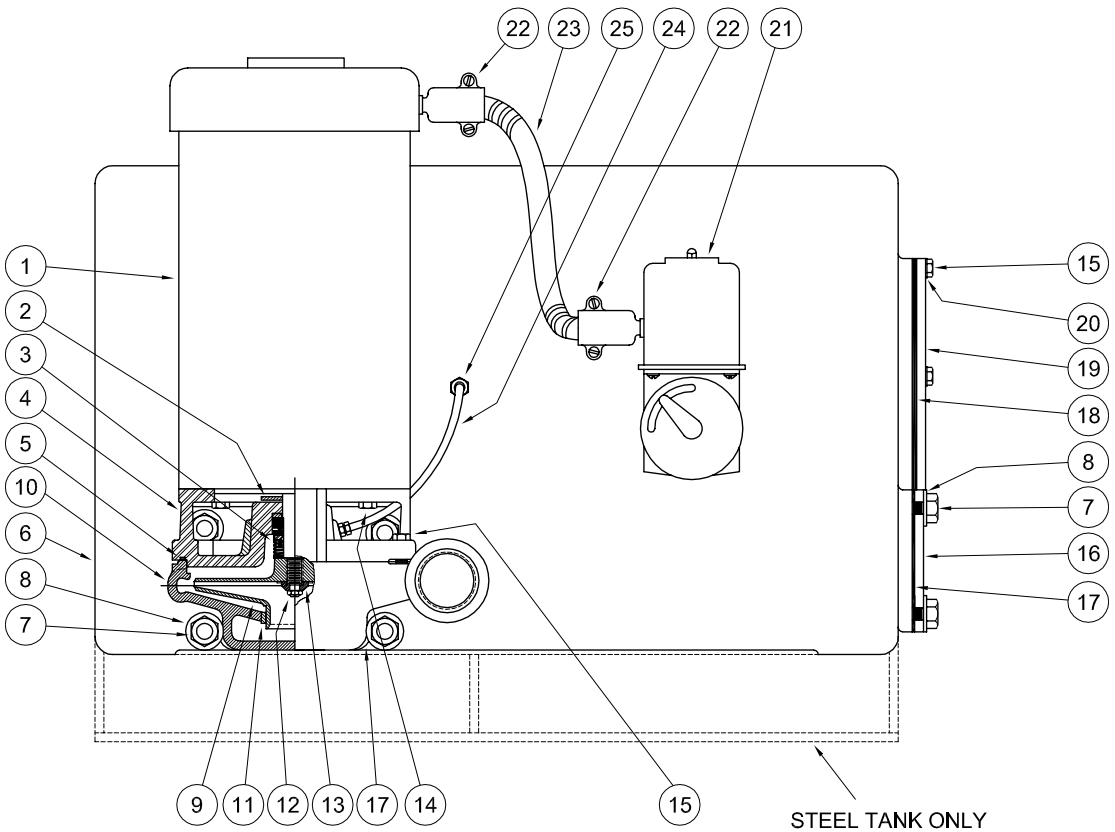


**Condensate Return Systems**



| 1 - MOTORS (All 56J Frame)                |             |     |
|---|-------------|-----|
| RPM & PHASE                               | PART NUMBER | HP  |
| <b>OPEN DRIP PROOF</b>                    |             |     |
| 3500 RPM<br>Single Phase<br>(ODP)         | 09581       | 1/3 |
|   | 09582       | 1/2 |
|   | 09625       | 3/4 |
|   | 09650       | 1   |
|   | 09675       | 1½  |
|   | 09677       | 2   |
|   | 09737       | 3   |
| 3500 RPM<br>Three Phase<br>(ODP)          | 09661       | 1/3 |
|   | 09662       | 1/2 |
|   | 09652       | 3/4 |
|   | 09653       | 1   |
|   | 09676       | 1½  |
|   | 09678       | 2   |
|   | 09738       | 3   |
| <b>TOTALLY ENCLOSED</b>                   |             |     |
| 3500 RPM<br>Single Phase<br>(TENV / TEFC) | 09688       | 1/2 |
|   | 09690       | 3/4 |
|   | 09692       | 1   |
|   | 09774       | 1½  |
|   | 09827       | 2   |
| 3500 RPM<br>Three Phase<br>(TENV / TEFC)  | 09689       | 1/2 |
|   | 09691       | 3/4 |
|   | 09693       | 1   |
|   | 09758       | 1½  |
|   | 09829       | 2   |
|   | 21697       | 3   |
| <b>EXPLOSION PROOF</b>                    |             |     |
| 3500 RPM<br>Single Phase<br>(XP)          | 20655       | 1/2 |
|   | 20513       | 3/4 |
|   | 20515       | 1   |
|   | 20517       | 1½  |
|   | 20519       | 2   |
| 3500 RPM<br>Three Phase<br>(XP)           | 20656       | 1/2 |
|   | 20514       | 3/4 |
|   | 20516       | 1   |
|   | 20518       | 1½  |
|   | 20520       | 2   |
|   | 09909       | 3   |

SECTION CRSP  
PAGE 98  
DATE 2/05



A Crane Co. Company

**PUMPS & SYSTEMS**

USA: (937) 778-8947 • Canada: (905) 457-6223 • International: (937) 615-3598

| SYMBOL NUMBER | PART NUMBER              | QTY | DESCRIPTION                          |
|---------------|--------------------------|-----|--------------------------------------|
| 21            | 22167                    | 1   | Float Switch - Simplex               |
|               | 22166                    | 1   | Mech. Alternator - Duplex            |
|               | 22264                    | 1   | Mech. Alternator - Duplex XP         |
|               | 22266                    | 1   | Float Switch - XP Simplex            |
|               | 22265                    | 1   | Float Switch - Watertight Simplex    |
| 22            | 22263                    | 1   | Mech. Alternator - Watertight Duplex |
|               | 02313                    | A/R | Connector, Conduit - Straight        |
|               | 01622                    |     | Connector, Conduit - 90°             |
| 01623         | Connector, Conduit - 45° |     |                                      |
| 23            | S6518                    | A/R | Conduit (Specify Length)             |
|               | 22043                    |     | Tube                                 |
|               | 21222                    |     | Connector                            |
| Not Shown     | 22334                    | 1   | Float                                |
|               | B8283-1-E4               | 1   | Plate, Switch - 20 Gal. Tanks        |
|               | B8285-1-L13              | 1   | Gasket, Plate - 20 Gal. Tanks        |
|               | A5670-E4                 | A/R | Flange - 20 Gal. Tanks               |
|               | A6579-L6                 | 1   | Gasket, Flange - 20 Gal Tanks        |

| SYMBOL NUMBER | PART NUMBER | QTY | DESCRIPTION                       |
|---------------|-------------|-----|-----------------------------------|
| 2             | 08105       | 1   | Slinger Washer                    |
| 3             | 08514       | 1   | Mechanical Seal - Buna-N          |
| 4             | 09657-1     | 1   | Adapter                           |
| 5             | 22021       | 1   | O-ring Gasket - Buna-N            |
| 6             | 22144       | 1   | Receiver Tank - 9 gal, CI         |
|               | 22145       | 1   | Receiver Tank - 14 gal, CI        |
|               | C5555-10-A2 | 1   | Receiver Tank - 20 gal, CI *      |
|               | 22339       | 1   | Receiver Tank - 23 gal, Steel     |
|               | 22147       | 1   | Receiver Tank - 36 gal, CI        |
|               | 22170       | 1   | Receiver Tank - 36 gal, Steel     |
|               | 22855       | 1   | Receiver Tank - 52 gal, Steel     |
|               | 22856       | 1   | Receiver Tank - 75 gal, Steel     |
|               | 22857       | 1   | Receiver Tank - 120 gal, Steel    |
| 7             | 15-13-6     | A/R | Nut                               |
| 8             | 22234       | A/R | Washer                            |
| 9             | 09680-3.22  | 1   | Impeller - 3GV6/33GV6             |
|               | 09680-3.63  | 1   | Impeller - 5GV6/35GV6             |
|               | 09680-3.88  | 1   | Impeller - 7GV6/37GV6             |
|               | 09680-4.25  | 1   | Impeller - 10GV6/310GV6           |
|               | 09680-4.63  | 1   | Impeller - 15GV6/315GV6           |
|               | 09680-4.88  | 1   | Impeller - 20GV6/320GV6           |
|               | 09680-5.66  | 1   | Impeller - 30GV6/330GV6           |
| 10            | 22016       | 1   | Casing Assy. (Includes Symbol 11) |
| 11            | 22019       | 1   | Wear Ring                         |
| 12            | 21182       | 1   | Screw, Impeller Lock - 3Ph Only   |
| 13            | 21181-C     | 1   | Washer - 3 Ph                     |
| 14            | 03122       | 4   | Cap Screw                         |
| 15            | 04235       | A/R | Cap Screw                         |
| 16            | 22072       | 1   | Cover                             |
| 17            | 22018       | A/R | Gasket, Pump to Tank              |
| 18            | 04177       | 1   | Gasket - 23 & 36 Gal. Tanks       |
| 19            | 22161       | 1   | Cover - 23 & 36 Gal. Tanks        |
| 20            | 01609-A     | 6   | Washer - 23 & 36 Gal. Tanks       |

(\* ) 23 Gal CI Receiver Part Number 22146 No longer Available.