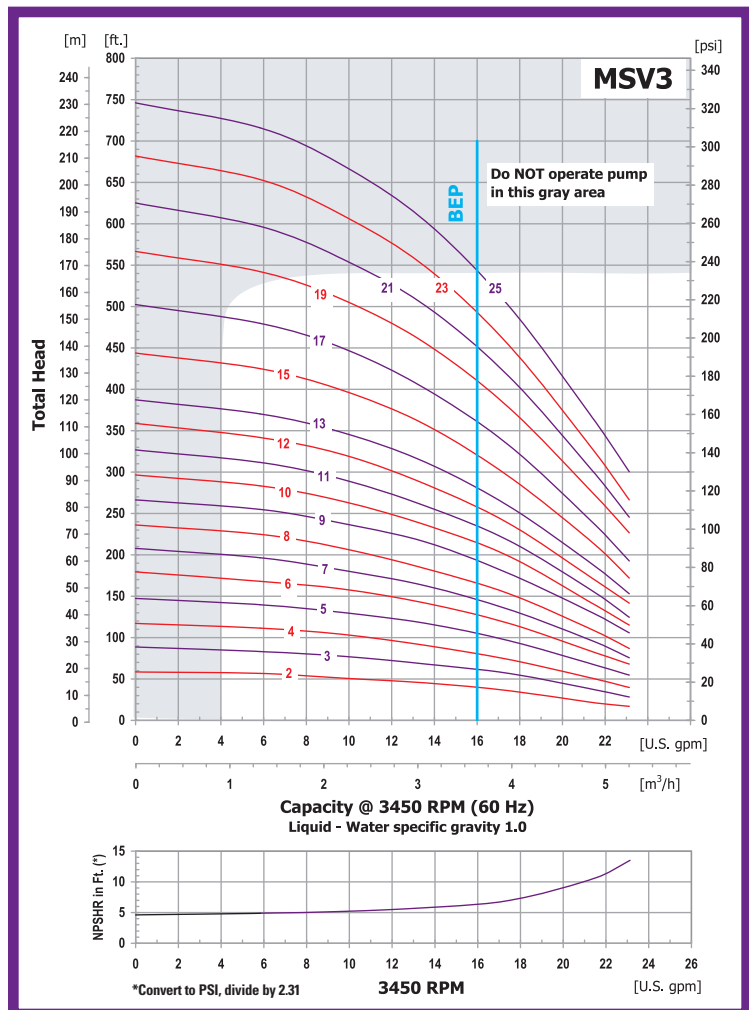


# MSV3 Multistage Pumps

- **304 Series Stainless Steel Components with Teflon® Wear Rings**
- **Cast Iron Base & Adapter**
- **1" NPT Cast Iron Flanges**
- **NEMA 56C or 182/4 TC Dual Cycle 50/60 Hz, Single or Three Phase TEFC Motors**
- **EPDM/Tungsten Carbide Seal with Easy Replacement Feature**
- **Optional ANSI/ASME 250# Flange Kit**
- **Models Available in 2 thru 25 Stages**



These AMT commercial/industrial centrifugal pumps are non-self-priming (gravity feed) units designed to handle high-pressure low flow liquid transfer applications where no suction lift is required. Typical installations include: hot and chilled water, boiler feed, condensate return, irrigation, high pressure washdown, booster service, and fire protection/sprinkler systems—often referred to as a Jockey Pump. These pumps have NOT been investigated for use in potable (drinking) water systems.



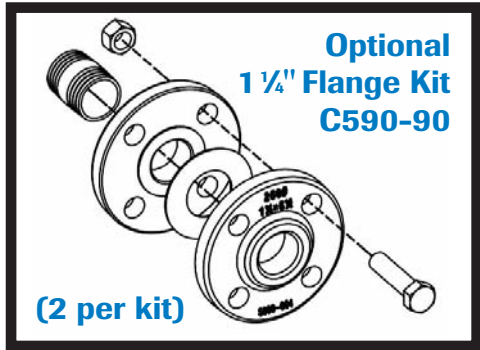
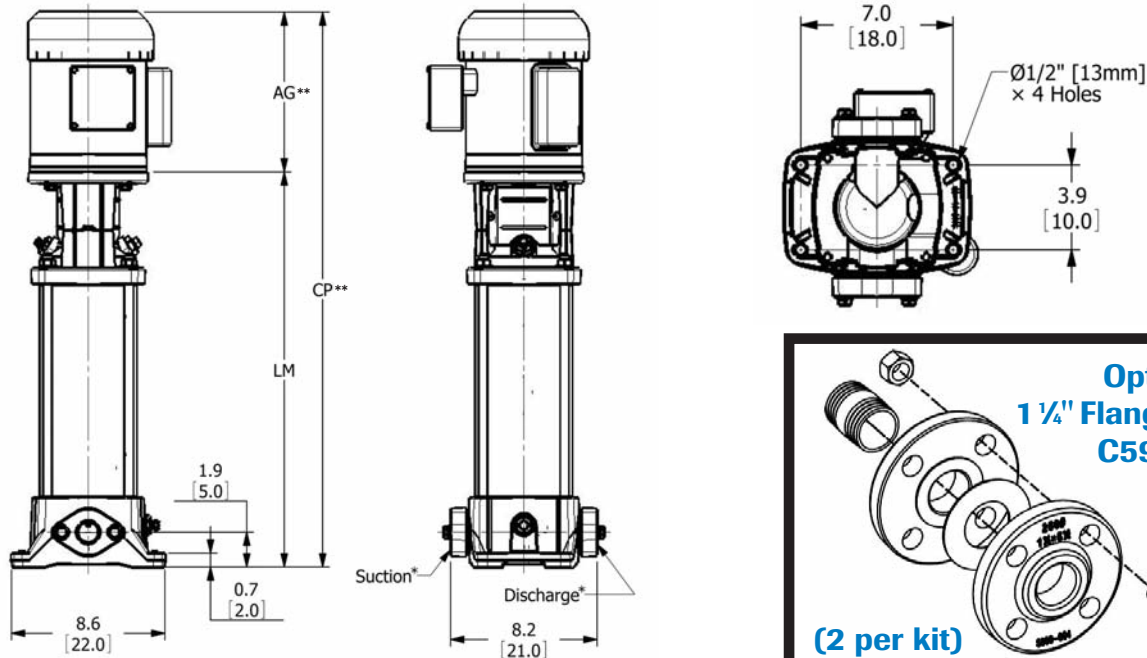
Maximum Working Pressure 232 PSI [1600 kPa]      Maximum Temp 180° F



400 Spring Street • Royersford, PA 19468 USA

[www.amtpump.com](http://www.amtpump.com) • 888-amt-pump (268-7867)

For use with nonflammable liquids compatible with pump component materials. Viton® and Teflon® are registered trademarks of E. I. DuPont.



Pumps are interchangeable with Grundfos CR3 Series

## SPECIFICATIONS AND DIMENSIONS

\*1" NPT (Female) Suction and Discharge Ports

| MODEL ▲  | STAGES | HP | AG**        | LM          | CP**         | Ship Wt.           |                   |
|----------|--------|----|-------------|-------------|--------------|--------------------|-------------------|
|          |        |    |             |             |              | 1 PHASE (-1P)      | 3 PHASE (-3P)     |
| MSV3-2   | 2      | 1  | 10.2 [26.0] | 10.9 [27.9] | 21.1 [53.8]  | 66 lbs. [30 kgs.]  | 62 lbs. [28 kgs.] |
| MSV3-3   | 3      | 1  | 10.2 [26.0] | 10.9 [27.9] | 21.1 [53.8]  | 67 lbs. [30 kgs.]  | 63 lbs. [28 kgs.] |
| MSV3-4   | 4      | 1  | 10.2 [26.0] | 11.6 [29.7] | 21.9 [55.6]  | 68 lbs. [31 kgs.]  | 64 lbs. [29 kgs.] |
| MSV3-5   | 5      | 1  | 10.2 [26.0] | 12.3 [31.5] | 22.6 [57.4]  | 69 lbs. [31 kgs.]  | 64 lbs. [29 kgs.] |
| MSV3-6   | 6      | 1  | 10.2 [26.0] | 13.0 [33.3] | 23.3 [59.2]  | 70 lbs. [32 kgs.]  | 65 lbs. [30 kgs.] |
| MSV3-7   | 7      | 1½ | 10.2 [26.0] | 13.8 [35.1] | 24.0 [61.0]  | 75 lbs. [34 kgs.]  | 69 lbs. [31 kgs.] |
| MSV3-8   | 8      | 1½ | 10.2 [26.0] | 14.5 [36.9] | 24.7 [62.8]  | 75 lbs. [34 kgs.]  | 70 lbs. [32 kgs.] |
| MSV3-9   | 9      | 1½ | 10.2 [26.0] | 15.2 [38.7] | 25.4 [64.6]  | 76 lbs. [35 kgs.]  | 71 lbs. [32 kgs.] |
| MSV3-10  | 10     | 2  | 11.4 [29.0] | 15.9 [40.5] | 27.3 [69.4]  | 84 lbs. [38 kgs.]  | 77 lbs. [35 kgs.] |
| MSV3-11  | 11     | 2  | 11.4 [29.0] | 16.6 [42.3] | 28.0 [71.2]  | 85 lbs. [38 kgs.]  | 77 lbs. [35 kgs.] |
| MSV3-12  | 12     | 2  | 11.4 [29.0] | 17.3 [44.1] | 28.7 [73.0]  | 85 lbs. [39 kgs.]  | 78 lbs. [35 kgs.] |
| MSV3-13  | 13     | 3  | 11.8 [30.0] | 18.0 [45.9] | 29.8 [75.8]  | 95 lbs. [43 kgs.]  | 83 lbs. [38 kgs.] |
| MSV3-15  | 15     | 3  | 11.8 [30.0] | 19.4 [49.5] | 31.2 [79.4]  | 97 lbs. [44 kgs.]  | 85 lbs. [39 kgs.] |
| MSV3-17  | 17     | 3  | 11.8 [30.0] | 20.8 [53.1] | 32.6 [83.0]  | 98 lbs. [45 kgs.]  | 87 lbs. [39 kgs.] |
| MSV3-19  | 19     | 3  | 11.8 [30.0] | 22.3 [56.7] | 34.1 [86.6]  | 100 lbs. [45 kgs.] | 88 lbs. [40 kgs.] |
| MSV3-21+ | 21+    | 5+ | 15.0 [38.3] | 24.5 [62.5] | 39.6 [100.8] | N/A                | 94 lbs. [43 kgs.] |
| MSV3-23+ | 23+    | 5+ | 15.0 [38.3] | 26.0 [66.1] | 41.1 [104.4] | N/A                | 95 lbs. [43 kgs.] |
| MSV3-25+ | 25+    | 5+ | 15.0 [38.3] | 27.4 [69.7] | 42.5 [108.0] | N/A                | 97 lbs. [44 kgs.] |

+ MSV3-21/23/25: Available in 3 HP electric only. These use TC motors with approximate diameter of 8.8 [22.5]

NOTE: Dimensions are in inches (centimeters) and have a tolerance of ±1/8"

\*\* Dimension may vary due to motor manufacturer's specifications.

▲ When Ordering Add the Correct Suffix (-?P) to Model Number Indicating Phase (ex. MSV3-2-1P)

|  |  |
|--|--|
| <b>SINGLE PHASE (-1P)<br/>VOLTAGES</b> | <b>60HZ= 1 HP - 2 HP 115/208-230 VAC and 3 HP 208-230 VAC<br/>50HZ= 110/220 VAC except 3 HP 220 VAC ONLY</b> |
| <b>THREE PHASE (-3P)<br/>VOLTAGES</b>  | <b>60HZ= 1 HP - 5 HP 208-230/460 VAC<br/>50HZ= 190/380 VAC</b>   |

NOTE: Electric supply for ALL motors must be within ± 10% of nameplate voltage rating (e.g. 230V ± 10% = 207 to 253.)