

PARTS LIST AND MAINTENANCE MANUAL

HO SERIES PUMP

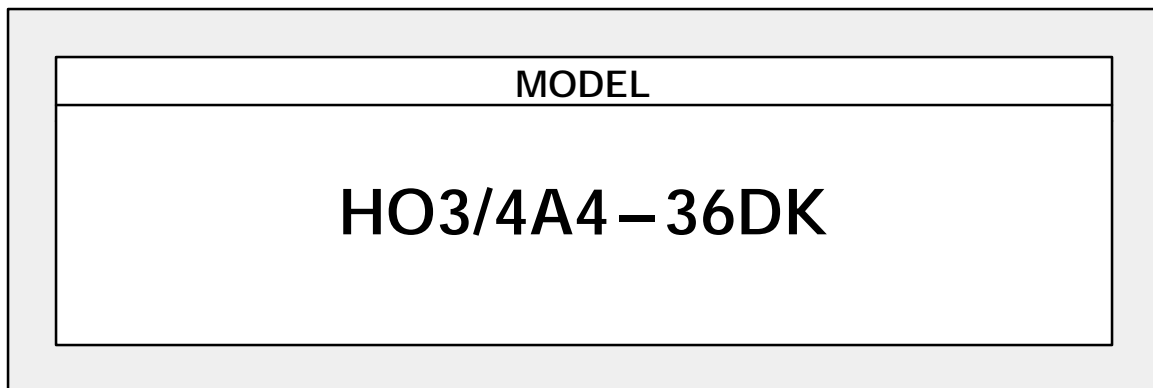


TABLE OF CONTENTS

PUMP MAINTENANCE AND REPAIR	PAGE E – 1
PARTS LIST:	
Pump Model HO3/4A4-36DK	PAGE E – 1
PUMP AND SEAL DISASSEMBLY AND REASSEMBLY	PAGE E – 2

THE GORMAN-RUPP COMPANY • MANSFIELD, OHIO

GORMAN-RUPP OF CANADA LIMITED • ST. THOMAS, ONTARIO, CANADA Printed in U.S.A.

©Copyright by the Gorman-Rupp Company

PUMP MAINTENANCE AND REPAIR - SECTION E

SECTION DRAWING

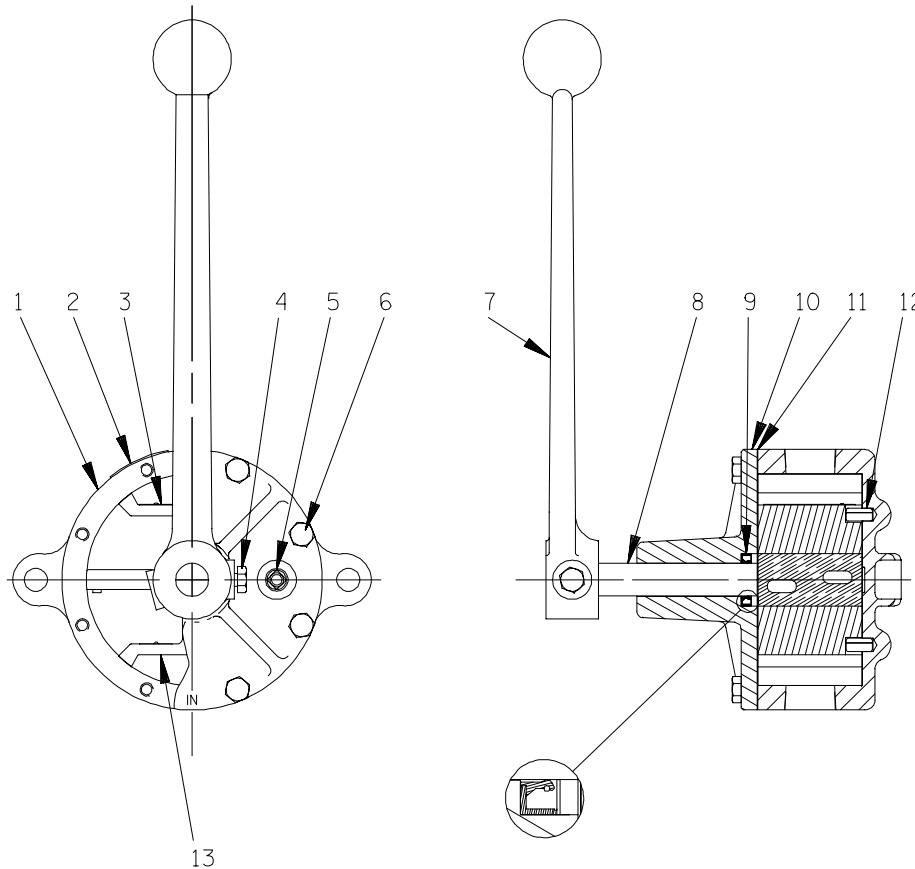


Figure 1. Pump Model HO3/4A4-36DK

PARTS LIST

(From S/N 1251049 up)

If your pump serial number is followed by an "N", your pump is **NOT** a standard production model. Contact the Gorman-Rupp Company to verify part numbers.

ITEM NO.	PART NAME	PART NUMBER	MAT'L CODE	QTY	ITEM NO.	PART NAME	PART NUMBER	MAT'L CODE	QTY
1	PUMP HOUSING	38233-091	10010	1	12	ROLL PIN	21154-786	---	2
2	NAMEPLATE DECAL	38812-065	---	1	13	SUCTION DECK ASSY	46442-007	---	1
3	DISCHARGE DECK ASSY	46442-507	---	1		NOT SHOWN:			
4	HEX HD CAPSCREW	21632-914	---	1		DRUM KIT	26842-012	---	1
5	PIPE PLUG	P02	15079	1		OPTIONS:			
6	HEX HD CAPSCREW	B0403	15991	8		H.O. HANDLE KIT	48152-010	---	1
7	LEVER	38582-020	10000	1		ACCESSORY MOUNTING KIT	48228-003	---	1
8	WING AND SHAFT ASSY	38552-501	14000	1					
9 *	OIL SEAL	25258-071	---	1					
10	LID	38242-706	10000	1					
11 *	HOUSING GASKET SET	48211-055	---	1					

* INDICATES PARTS RECOMMENDED FOR STOCK

PUMP AND SEAL DISASSEMBLY AND REASSEMBLY

Review all warnings in the **INSTALLATION AND OPERATION** manual.

Follow the instructions on all tags, label and decals attached to the pump.

This pump requires little service due to its rugged, minimum-maintenance design. However, if it becomes necessary to inspect or replace the wearing parts, follow these instructions which are keyed to the sectional view (see Figure 1) and the accompanying parts list.

Pump Disassembly

Before attempting to service the pump, close all valves in the system and remove the suction and discharge piping. Remove the hardware securing the pump to its mounting surface, and move the pump to a clean, well-equipped shop for service.

Loosen the capscrew (4) and remove the lever (7). Remove the capscrews (6), and pull the lid (10), wing and shaft assembly (8), and oil seal (9) out of the housing as a single unit. Remove the housing gasket set (11) and clean the mating surfaces.

NOTE

*Note the location of the words "IN" and "OUT" on the lid compared to the suction and discharge ports. This is **very important** for reassembly. The fill plug (5) should be located in the 3 o'clock position.*

Slide the wing and shaft assembly out of the lid. Use a screwdriver or other suitable tool to pry the oil seal out of the lid.

Lift the suction deck assembly (13) and discharge deck assembly (3) out of the housing (1). Inspect the two locating pins (12) for damage. If replacement is required, pull them from the housing.

Pump Reassembly

Clean all component parts with a cloth soaked in fresh cleaning solvent. Use an approved solvent when cleaning parts; **never** use gasoline.



Most cleaning solvents are toxic and flammable. Use them only in a well ventilated area free from excessive heat, sparks, and flame. Read and follow all precautions printed on solvent containers.

Inspect the parts for wear or damage and replace as required. If the shaft or wing are damaged, the complete assembly must be replaced. Individual parts are not sold separately. The same is true of the suction and discharge deck assemblies; valves are not sold separately.

If removed, press new locating pins (12) into the housing.

Install the suction deck assembly (13) in the housing so that the valves are directed **toward** the center of the pump.

Install the discharge deck assembly (3) in the housing so that the valves are directed **away** from the center of the pump.

Lightly lubricate the oil seal (9), and use an arbor (or hydraulic) press and a suitable sized dowel to install it in the lid (10) with the lip positioned as shown in Figure 1.

Carefully slide the wing and shaft assembly (8) into the lid. **Be careful** not to roll the lip of the oil seal.

Position the housing gasket set (11) against the lid, and slide the assembled lid, seal, and wing and shaft assembly into the housing.

NOTE

The raised bosses on the wing should be directed toward the suction deck assembly to provide proper mounting.

Secure the lid to the housing with the capscrews (6). **Be sure** the words "IN" and "OUT" cast into the lid are directed toward the correct ports. The fill plug should be located in the 3 o'clock position. Secure the lever (7) to the shaft with the capscrew (4).

Check the shaft endplay. If endplay is excessive, remove the lid and discard one of the housing gaskets.

WARRANTY

Pumping units manufactured by The Gorman-Rupp Company, Mansfield, Ohio are guaranteed to be free from defects in material and workmanship for one year from date of shipment from factory in Mansfield, Ohio. The obligation under this Warranty, statutory or otherwise, is limited to replacement or repair at Mansfield, Ohio factory or at a point designated by Gorman-Rupp, of such part as shall appear to us upon inspection at such point, to have been defective in material or workmanship.

This Warranty does not obligate The Gorman-Rupp Company to bear the cost of labor or transportation charges in connection with replacement or repair of defective parts; nor shall it apply to a pump upon which repairs or alterations have been made unless authorized by Gorman-Rupp.

No warranty is made in respect to engines, motors, or trade accessories, such being subject to warranties of their respective manufacturers.

In Submersible Pumps, pump and motor are integral and Submersibles are warranted as a unit. Since motor is subject to an important degree upon quality and performance of electrical controls, unit warranty is valid only when controls have been specified and provided by Gorman-Rupp.

No express implied or statutory warranty, other than herein set forth is made or authorized to be made by Gorman-Rupp.

In no event shall The Gorman-Rupp Company be liable for consequential damages or contingent liabilities arising out of the failure of any Gorman-Rupp pump or parts thereof to operate properly.

THE GORMAN-RUPP COMPANY
Mansfield, Ohio

NOTE: In Canada, all above references to "The Gorman-Rupp Company, Mansfield, Ohio" is understood to mean "Gorman-Rupp of Canada Limited, St. Thomas, Ontario."

THE GORMAN-RUPP COMPANY • MANSFIELD, OHIO

GORMAN-RUPP OF CANADA LIMITED • ST. THOMAS, ONTARIO, CANADA Printed in

U.S.A.

©Copyright by the Gorman-Rupp Company