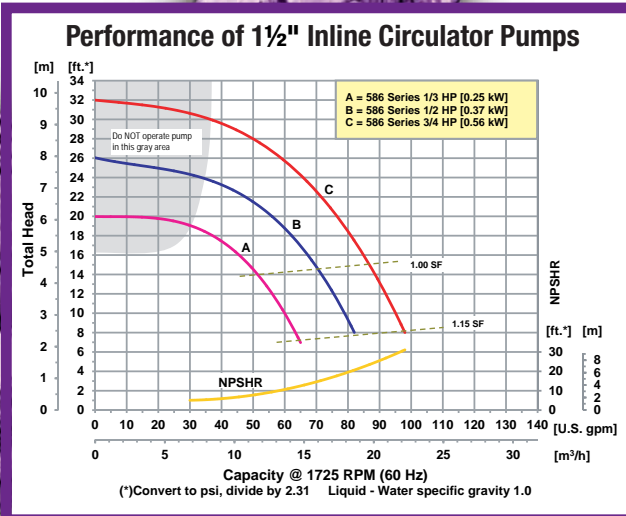


# Inline 1-1/2" Circulator Pumps



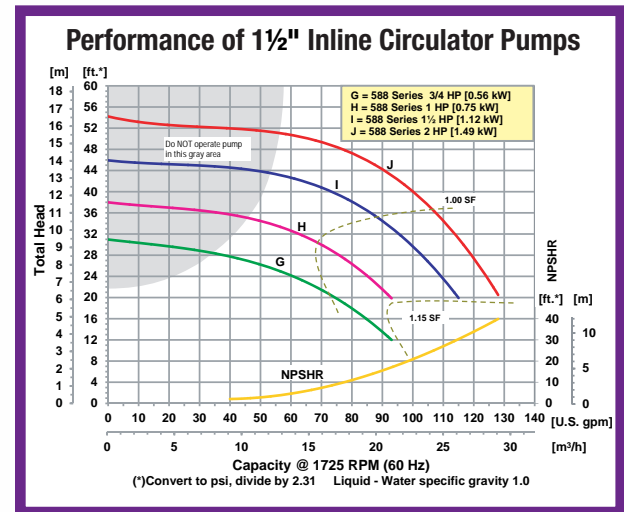
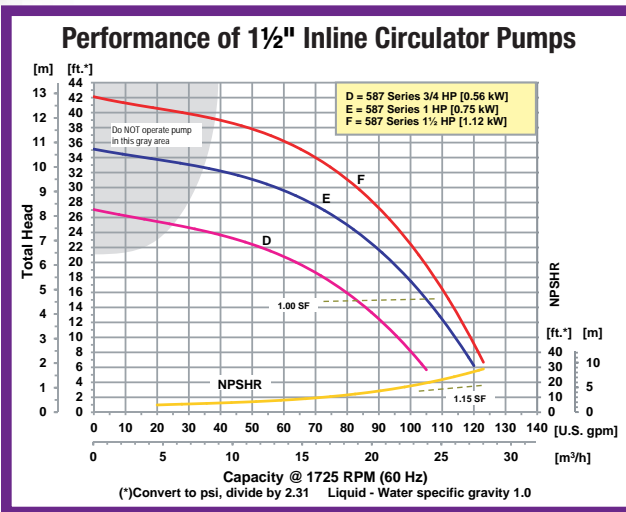
5860-95  
Cast Iron  
Circulator  
Pump

- **Cast Iron or Silicon Bronze Construction with Silicon Bronze Impeller**
- **EPDM/EPR Mechanical Seal and Casing O-Ring Standard, Viton® Option Available**
- **Includes Mounting Flange Kit for 1-1/2" NPT**
- **Special Flange Designed to Accept B&G Flange or Standard 150lb 4-Bolt Flange**
- **Maximum Water Temperature 225° F (107° C)\***
- **Maximum Flow 130 GPM**
- **Maximum Head 53 Ft. (23 PSI)**
- **1/8" NPT Seal Wash/Vent Port**
- **Single Phase or Three Phase TEFC 56C Motor**



AMT Inline Circulator Pumps are designed for continuous duty industrial/commercial systems. Pumps are available in a variety of material configurations to meet your specifications. Pumps are powered by a 56C NEMA Totally Enclosed Fan Cooled (TEFC) frame electric motor with 1/2" conduit connection. Pumps are interchangeable with other manufacturers.

\* Maximum temperature applies to water only.



## Pump Dimensional & Specification Data

| Model ‡      | Curve | HP    | PH     | ENC  | Voltage @ 60 Hz +  | Full Load Amps | A          | B          | C         | D         | E         | F          | G          | L**         | W          | H           | B & G Cast Iron Equiv | B & G Bronze Equiv | ‡ Ship Wt. (Lbs.) |
|--------------|-------|-------|--------|------|--------------------|----------------|------------|------------|-----------|-----------|-----------|------------|------------|-------------|------------|-------------|-----------------------|--------------------|-------------------|
| 5864<br>5865 | A     | 1/3   | 1<br>3 | TEFC | 115/230<br>230/460 | 7/4<br>2/1     | 5.4 [13.7] | 6.5 [16.5] | 3.1 [7.8] | 1.4 [3.5] | 0.5 [1.3] | 4.0 [10.2] | 4.0 [10.2] | 19.5 [49.5] | 8.0 [20.3] | 11.5 [29.2] | S607S<br>607T         | B607S<br>B607T     | 80<br>77          |
| 5862<br>5863 | B     | 1/2   | 1<br>3 | TEFC | 115/230<br>230/460 | 9/5<br>3/2     | 5.4 [13.7] | 6.5 [16.5] | 3.1 [7.8] | 1.4 [3.5] | 0.5 [1.3] | 4.0 [10.2] | 4.0 [10.2] | 19.5 [49.5] | 8.0 [20.3] | 11.5 [29.2] | 608S<br>608T          | B608S<br>B608T     | 84<br>80          |
| 5860<br>5861 | C     | 3/4   | 1<br>3 | TEFC | 115/230<br>230/460 | 12/6<br>3/2    | 5.4 [13.7] | 6.5 [16.5] | 3.1 [7.8] | 1.4 [3.5] | 0.5 [1.3] | 4.0 [10.2] | 4.0 [10.2] | 19.5 [49.5] | 8.0 [20.3] | 11.5 [29.2] | 609S<br>609T          | B609S<br>B609T     | 90<br>84          |
| 5874<br>5875 | D     | 3/4   | 1<br>3 | TEFC | 115/230<br>230/460 | 12/6<br>3/2    | 5.4 [13.7] | 7.0 [17.8] | 3.6 [9.1] | 1.0 [2.5] | 0.7 [1.8] | 4.6 [11.7] | 4.0 [10.2] | 20.0 [50.8] | 8.6 [21.8] | 13.5 [34.3] | 621S<br>621T          | B621S<br>B621T     | 87<br>86          |
| 5872<br>5873 | E     | 1     | 1<br>3 | TEFC | 115/230<br>230/460 | 14/7<br>4/2    | 5.4 [13.7] | 7.0 [17.8] | 3.6 [9.1] | 1.0 [2.5] | 0.7 [1.8] | 4.6 [11.7] | 4.0 [10.2] | 20.0 [50.8] | 8.6 [21.8] | 13.5 [34.3] | 613S<br>613T          | B613S<br>B613T     | 92<br>90          |
| 5870<br>5871 | F     | 1-1/2 | 1<br>3 | TEFC | 115/230<br>230/460 | 17/9<br>5/3    | 5.4 [13.7] | 7.0 [17.8] | 3.6 [9.1] | 1.0 [2.5] | 0.7 [1.8] | 4.6 [11.7] | 4.0 [10.2] | 20.0 [50.8] | 8.6 [21.8] | 13.5 [34.3] | 614S<br>614T          | B614S<br>B614T     | 102<br>94         |
| 5886<br>5887 | G     | 3/4   | 1<br>3 | TEFC | 115/230<br>230/460 | 12/6<br>3/2    | 5.5 [13.9] | 7.0 [17.8] | 3.4 [8.6] | 1.0 [2.5] | 0.7 [1.8] | 5.0 [12.7] | 4.3 [10.9] | 19.9 [50.5] | 9.3 [23.6] | 13.5 [34.3] | 622S<br>622T          | B622S<br>B622T     | 89<br>87          |
| 5884<br>5885 | H     | 1     | 1<br>3 | TEFC | 115/230<br>230/460 | 14/7<br>4/2    | 5.5 [13.9] | 7.0 [17.8] | 3.4 [8.6] | 1.0 [2.5] | 0.7 [1.8] | 5.0 [12.7] | 4.3 [10.9] | 19.9 [50.5] | 9.3 [23.6] | 13.5 [34.3] | 623S<br>623T          | B623S<br>B623T     | 94<br>92          |
| 5882<br>5883 | I     | 1-1/2 | 1<br>3 | TEFC | 115/230<br>230/460 | 17/9<br>5/3    | 5.5 [13.9] | 7.0 [17.8] | 3.4 [8.6] | 1.0 [2.5] | 0.7 [1.8] | 5.0 [12.7] | 4.3 [10.9] | 19.9 [50.5] | 9.3 [23.6] | 13.5 [34.3] | 617S<br>617T          | B617S<br>B617T     | 104<br>96         |
| 5880<br>5881 | J     | 2     | 1<br>3 | TEFC | 115/230<br>230/460 | 22/11<br>6/3   | 5.5 [13.9] | 7.0 [17.8] | 3.4 [8.6] | 1.0 [2.5] | 0.7 [1.8] | 5.0 [12.7] | 4.3 [10.9] | 19.9 [50.5] | 9.3 [23.6] | 13.5 [34.3] | 618S<br>618T          | B618S<br>B618T     | 105<br>97         |

\*\* This dimension may vary due to the motor manufacturer's specifications.

(+) 3-Phase models can also operate on 50 Hz. (This will change full load amps, service factor and RPM.)

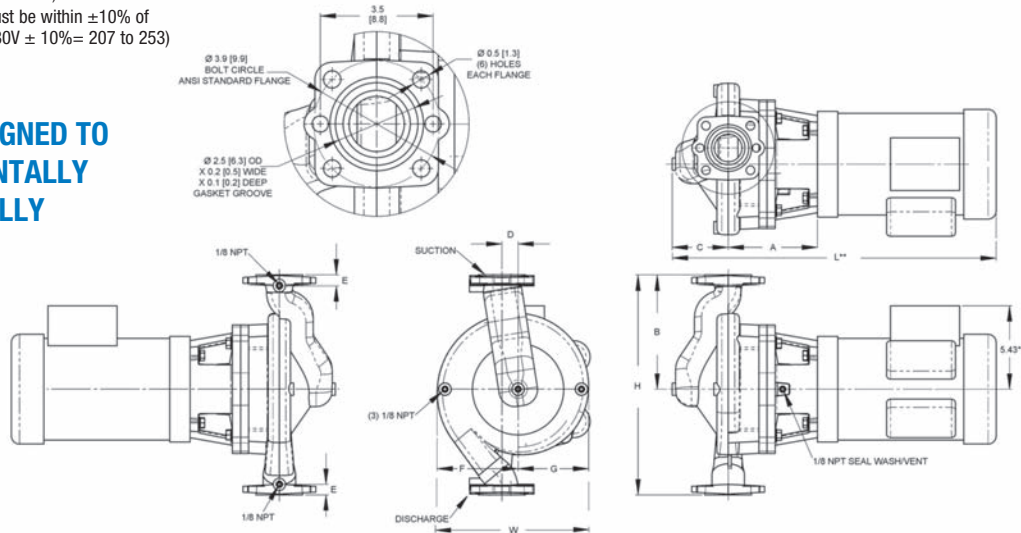
NOTE: Dimensions are in inches (centimeters) and have a tolerance of ± 1/8"

NOTE: Electric supply for all motors must be within ±10% of nameplate voltage rating (Ex. 230V ± 10%= 207 to 253)

XCI (-95) = Cast Iron Construction with Bronze Impeller  
XB (-97) = Cast Bronze Construction with Bronze Impeller

**PUMPS ARE DESIGNED TO MOUNT HORIZONTALLY OR VERTICALLY**

**‡ When Ordering Add the Correct Suffix (-9x) Suffix to Model Number Indicating Material Selection.**



## Standard Features

- Includes Mounting Flange Kit for 1-1/2" NPT; Includes (2) Flanges, (2) Gaskets and Fasteners
- Steel Shaft with Sealed Ball Bearing Design Permits Removal of Motor Without Disconnecting Pump or Loss of Liquid
- Special Flange Designed to Accept B&G Flange or Standard 150 Lb. 4 bolt Flanges
- High Efficiency Closed Bronze Impeller
- 1/8" NPT Seal Wash/Vent Port
- Available in Either Single or Three Phase TEFC 56C Motors with Standard NEMA Mounting Dimensions
- EPDM/EPR Mechanical Seal and Casing O-Ring Standard
- Maximum Working Pressure 150 PSI
- Optional Viton® Mechanical Seals and O-Rings Available
- Stainless Steel (300 Series) Sleeve Protects Stub Shaft from Liquid