

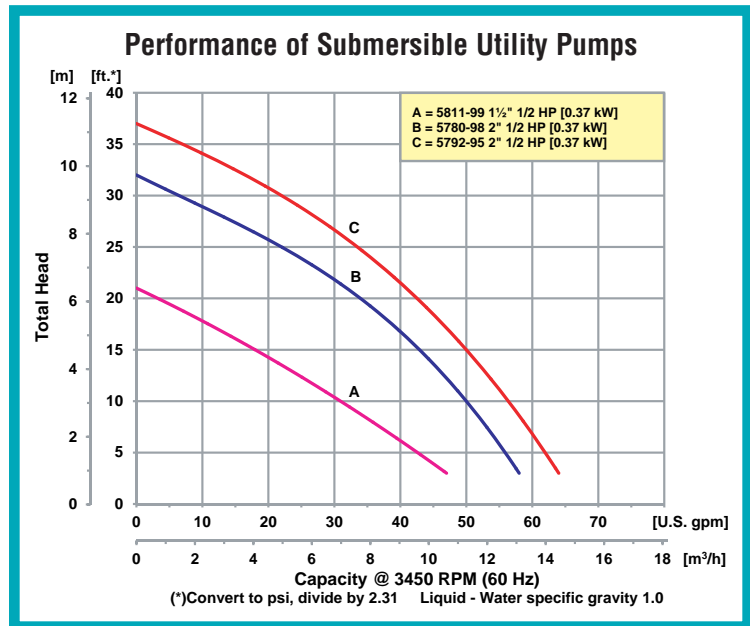
# Submersible Drainage/ Sump Utility Pump

- **Stainless Steel, Cast Iron and Plastic Construction**
- **Built-in Thermal Protection**
- **Triplex Seal System; Double Mechanical Seals Plus Shaft Seal**
- **Automatic Mercury Free Float Switch Included (Except Stainless Steel Model 5780-98)**
- **U.L./CSA Listed**
- **1/2 HP, 115 VAC UL/SJT Cord with 3 Prong Plug**
- **1-1/2" to 2" NPT Port Sizes**
- **Clog Resistant Impellers**
- **Oil Filled, Quiet Run Motor Design**



Model 5792-95

AMT Submersible Sump pumps are designed for many applications including sump pits, drainage pits, overflow tanks, basements, dewatering, excavation, grain elevators, construction drainage, cooling towers and other applications requiring clear water removal. AMT Submersible pumps (except stainless steel model 5780-98) include automatic float switch, thermal overload protector and suction screen.



400 Spring Street • Royersford, PA 19468 USA

[www.amtpump.com](http://www.amtpump.com) • 888-amt-pump (268-7867)

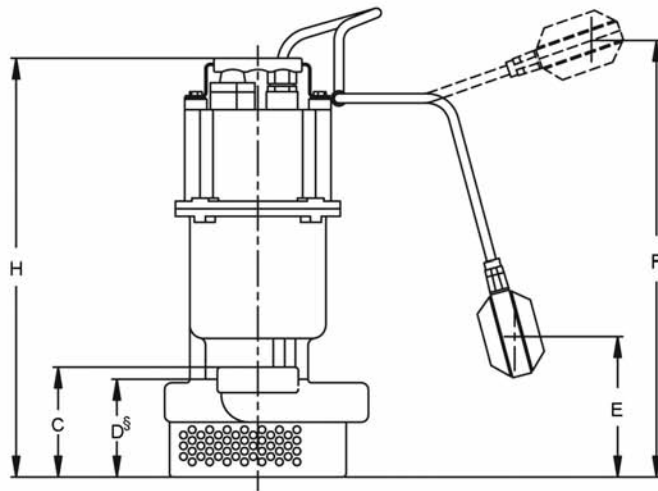
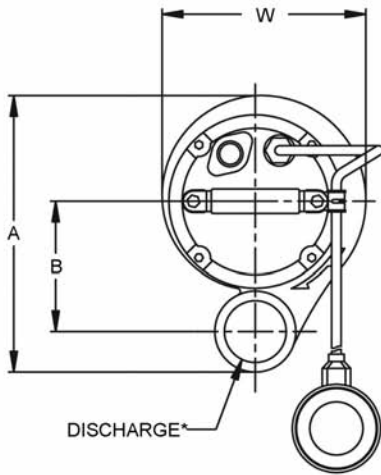
For use with nonflammable liquids compatible with pump component materials. Viton® is a registered trademark of E.I. DuPont.

## Pump Dimensional & Specification Data

Model	Curve	HP	DIS*	Construction Materials	Type	Voltage @ 60 Hz	Full Load Amps	Cord Length (Ft.)	Ship Wt. (Lbs.)
5811-99	A	1/2	1.5"	Plastic	Vortex	115	5	12	15
5780-98	B	1/2	2"	Stainless Steel	Drainage	115	5	20	26
5792-95	C	1/2	2"	Cast Iron	Drainage	115	7	20	42

(\*) Standard NPT (Female) pipe thread

NOTE: Electric Supply for ALL motors must be within ± 10% of nameplate voltage (Ex: 230V = 203 to 253)



Model	Screen	A	B	C	D <sup>§</sup>	E	F	W	H
5811-99	1/2 x 1-1/2	9.4 [23.8]	5.0 [12.7]	4.6 [11.6]	4.1 [10.4]	3.0 [7.6]	13.0 [33.0]	6.2 [15.7]	12.6 [32.0]
5780-98	3/16 Dia.	9.0 [22.8]	4.7 [11.9]	3.9 [9.9]	3.1 [7.9]	N/A	N/A	6.3 [16.0]	16.3 [41.4]
5792-95	1/4 Dia.	10.0 [25.4]	4.7 [11.9]	3.9 [9.9]	3.3 [8.4]	3.5 [8.9]	17.7 [45.0]	7.4 [18.8]	16.1 [41.4]

NOTE: Dimensions are in inches (centimeters) and have a tolerance of ±1/8".

(§) Minimum Liquid Height

## Standard Features

- UL/CSA Listed
- Automatic Float Switch (except Stainless Steel Model 5780-98)
- Double Mechanical Seal Construction
- Model 5811-99: Plastic Submersible Includes Hose Adapter
- Maximum Temperature 104° F
- Suction Screen
- 115 VAC UL/SJTW Cord with 3 Prong Plug
- Carry Handle Built-In
- Thermally Protected (except Stainless Steel Model 5780-98)
- Oil Filled, Quiet Run Motor Design
- QSP – Quick Ship Pumps