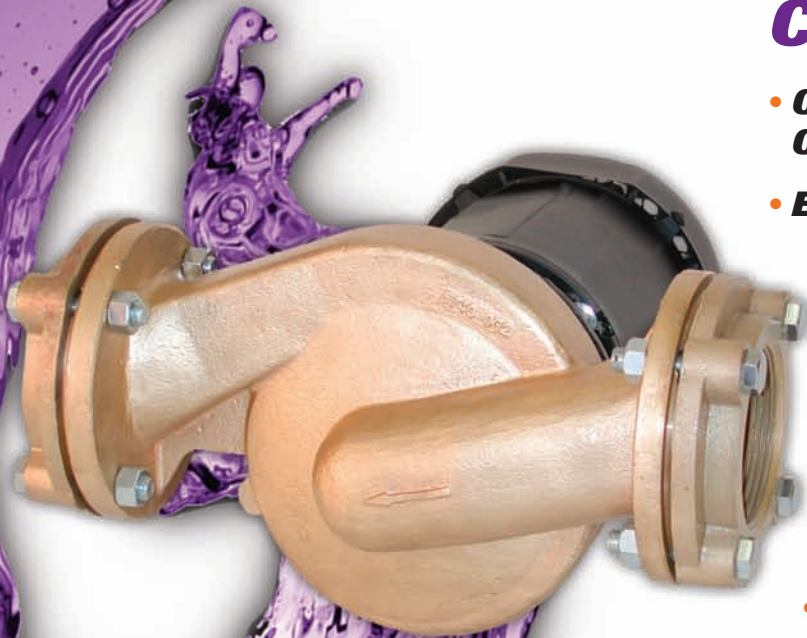


# Inline 3" Circulator Pumps

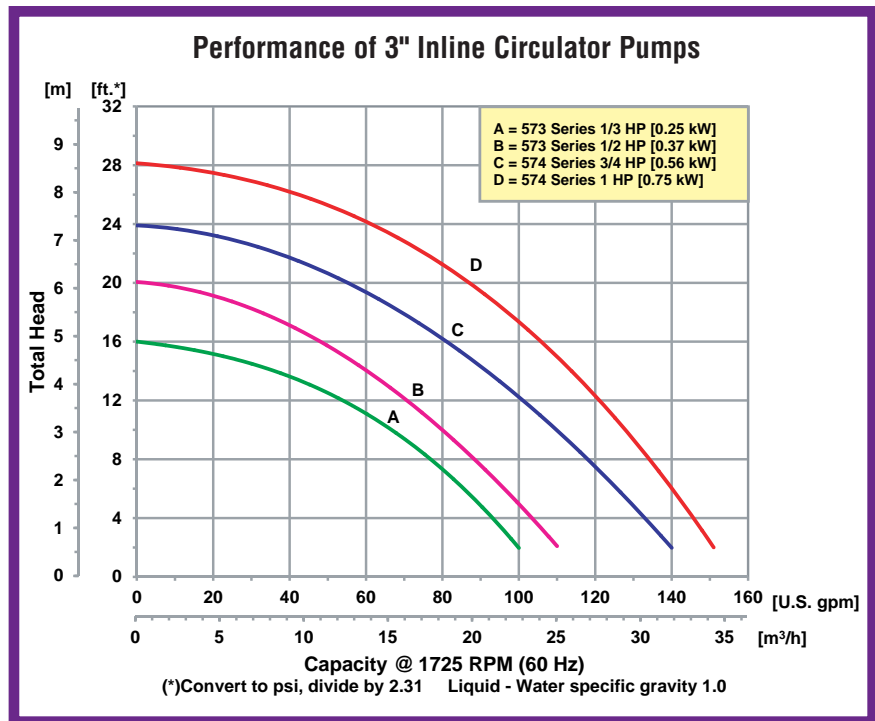
- **Cast Iron or Silicon Bronze Construction**
- **EPDM/EPR Mechanical Seal and Casing O-Ring, Buna-N Option Available**
- **Silicon Bronze Impeller**
- **Mounting Flange Kit for 3" NPT Included**
- **Maximum Working Pressure 150 PSI**
- **Maximum Temperature 225° F (107° C)\***
- **Maximum Flow 150 GPM**
- **Maximum Head 28 Ft. (12 PSI)**
- **Single Phase or Three Phase TEFC 56C Motor**



Model 5740-97  
Bronze Circulator

AMT Inline Circulator Pumps are designed for continuous duty industrial/commercial systems. Pumps are available in a variety of material configurations to meet your specifications. Pumps are powered by a 56C NEMA frame electric motor with 1/2" conduit connection. Pumps are interchangeable with other manufacturers, see cross reference on specification page.

\*Maximum temperature applies to water only.



## Pump Dimensional & Specification Data

Model ‡	Curve	HP	PH	ENC	Voltage @ 60 Hz +	Full Load Amps	A**	B	C	L**	W	H	‡ Ship Wt. (Lbs.)
5735 5736	A	1/3	1 3	TEFC	115/230 230/460	7/4 2/1	14.0 [35.5]	10.0 [25.4]	3.0 [7.6]	17.0 [43.2]	8.0 [20.3]	11.1 [28.2]	78 75
5730 5731	B	1/2	1 3	TEFC	115/230 230/460	9/5 3/2	14.0 [35.5]	10.0 [25.4]	3.0 [7.6]	17.0 [43.2]	8.0 [20.3]	11.1 [28.2]	84 77
5745 5746	C	3/4	1 3	TEFC	115/230 230/460	12/6 3/2	15.0 [38.1]	12.0 [30.5]	3.2 [8.2]	18.0 [45.7]	8.2 [20.3]	13.2 [33.5]	90 84
5740 5741	D	1	1 3	TEFC	115/230 230/460	14/7 4/2	15.0 [38.1]	12.0 [30.5]	3.2 [8.2]	18.0 [45.7]	8.2 [20.3]	13.2 [33.5]	97 91

\*\*This dimension may vary due to motor manufacturer's specifications

(+) 3-Phase models can also operate on 50 Hz. (This will change full load amps, service factor and RPM.)

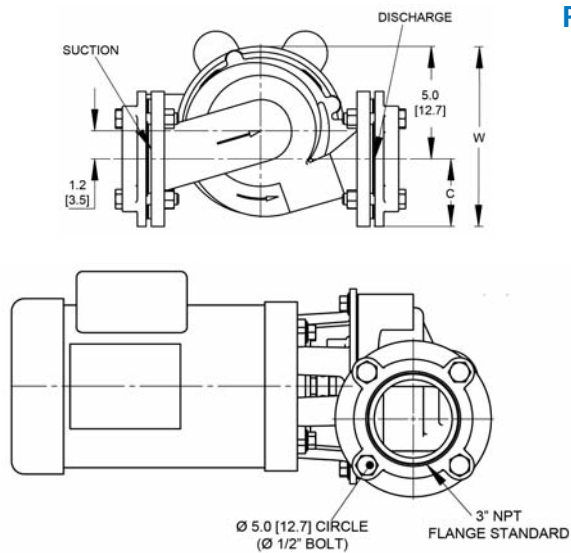
NOTE: Dimensions are in inches (centimeters) and have a tolerance of  $\pm 1/8"$

NOTE: Electric supply for ALL motors must be within  $\pm 10\%$  of nameplate voltage rating (Ex. 230V  $\pm 10\%$  = 207 to 253)

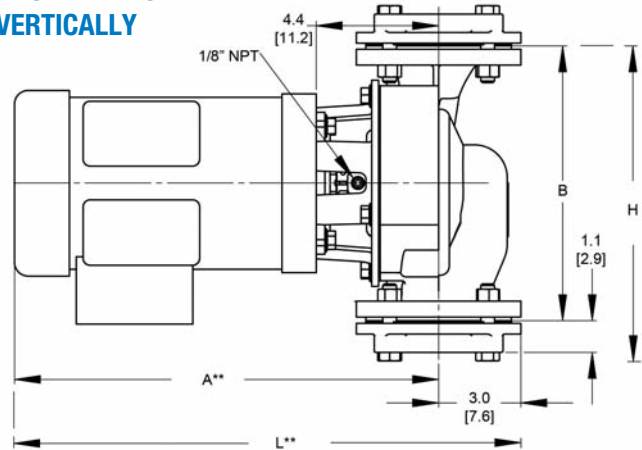
‡ When ordering add the correct -9x suffix to model number indicating material selection

XCI (-95) = Cast Iron Construction

XB (-97) = Cast Bronze Construction



**PUMPS ARE DESIGNED TO MOUNT HORIZONTALLY OR VERTICALLY**



### Manufacturer Cross Reference

Model Series	Flange to Flange Width	Bell & Gossett Series (C.Iron)	Bell & Gossett Series (Bronze)	Armstrong Series	TACO Series	Dayton (C.Iron)
5735/5736	10	LD3	LD3AB	S-45	122	4RC99
5730/5731	10	HD3	HD3AB	S-46	131	4RD12
5745/5746	12	PD-35S	PDB35S	S-55	132	4RD13
5740/5741	12	PD-37S	PDB37S	S-56	133	4RD14

### Standard Features

- Mounting Flange Kit for 3" NPT, Which Includes (2) Flanges, (2) Gaskets, and Fasteners
- 4-Bolt Flange Allows 360° Mounting Rotation in 90° Increments
- 1/8" NPT Seal Wash/Vent Port
- EPDM/EPR Mechanical Seal and O-Rings
- Optional Buna-N Mechanical Seal and O-Ring Available
- Stainless Steel (300 Series) Stub Shaft
- High Efficiency Closed Impeller
- Standard NEMA 56C Motor Mounting Dimensions
- Available in either Single Phase or Three Phase TEFC 56C Motors
- Maximum Working Pressure 150 PSI
- QSP: Quick Ship Pump for Many Models