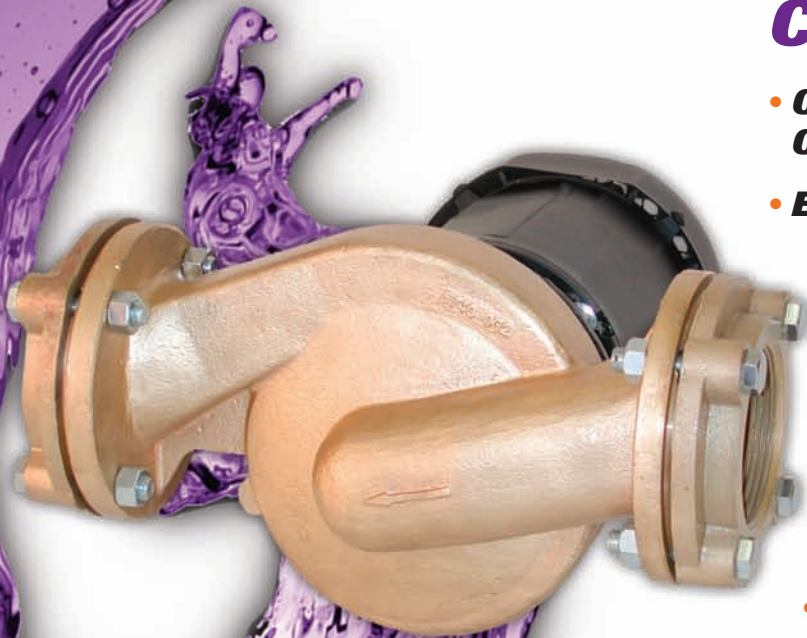


Inline 3" Circulator Pumps

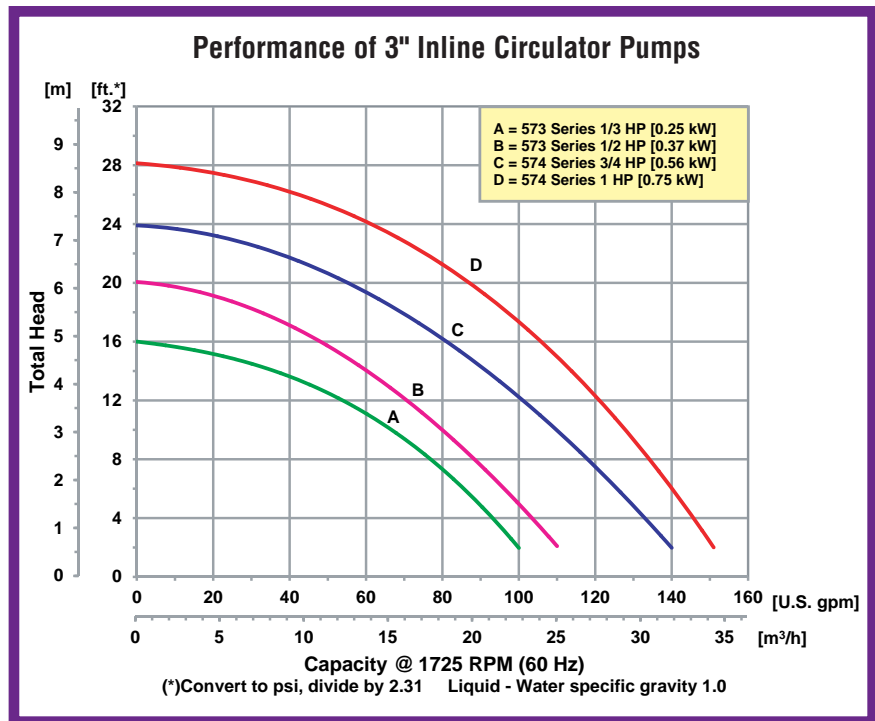
- **Cast Iron or Silicon Bronze Construction**
- **EPDM/EPR Mechanical Seal and Casing O-Ring, Buna-N Option Available**
- **Silicon Bronze Impeller**
- **Mounting Flange Kit for 3" NPT Included**
- **Maximum Working Pressure 150 PSI**
- **Maximum Temperature 225° F (107° C)***
- **Maximum Flow 150 GPM**
- **Maximum Head 28 Ft. (12 PSI)**
- **Single Phase or Three Phase TEFC 56C Motor**



Model 5740-97
Bronze Circulator

AMT Inline Circulator Pumps are designed for continuous duty industrial/commercial systems. Pumps are available in a variety of material configurations to meet your specifications. Pumps are powered by a 56C NEMA frame electric motor with 1/2" conduit connection. Pumps are interchangeable with other manufacturers, see cross reference on specification page.

*Maximum temperature applies to water only.



Pump Dimensional & Specification Data

| Model ‡ | Curve | HP | PH | ENC | Voltage @ 60 Hz + | Full Load Amps | A** | B | C | L** | W | H | ‡ Ship Wt. (Lbs.) |
|--------------|-------|-----|--------|------|--------------------|----------------|-------------|-------------|-----------|-------------|------------|-------------|-------------------|
| 5735 5736 | A | 1/3 | 1 3 | TEFC | 115/230 230/460 | 7/4 2/1 | 14.0 [35.5] | 10.0 [25.4] | 3.0 [7.6] | 17.0 [43.2] | 8.0 [20.3] | 11.1 [28.2] | 78 75 |
| 5730 5731 | B | 1/2 | 1 3 | TEFC | 115/230 230/460 | 9/5 3/2 | 14.0 [35.5] | 10.0 [25.4] | 3.0 [7.6] | 17.0 [43.2] | 8.0 [20.3] | 11.1 [28.2] | 84 77 |
| 5745 5746 | C | 3/4 | 1 3 | TEFC | 115/230 230/460 | 12/6 3/2 | 15.0 [38.1] | 12.0 [30.5] | 3.2 [8.2] | 18.0 [45.7] | 8.2 [20.3] | 13.2 [33.5] | 90 84 |
| 5740 5741 | D | 1 | 1 3 | TEFC | 115/230 230/460 | 14/7 4/2 | 15.0 [38.1] | 12.0 [30.5] | 3.2 [8.2] | 18.0 [45.7] | 8.2 [20.3] | 13.2 [33.5] | 97 91 |

**This dimension may vary due to motor manufacturer's specifications

(+) 3-Phase models can also operate on 50 Hz. (This will change full load amps, service factor and RPM.)

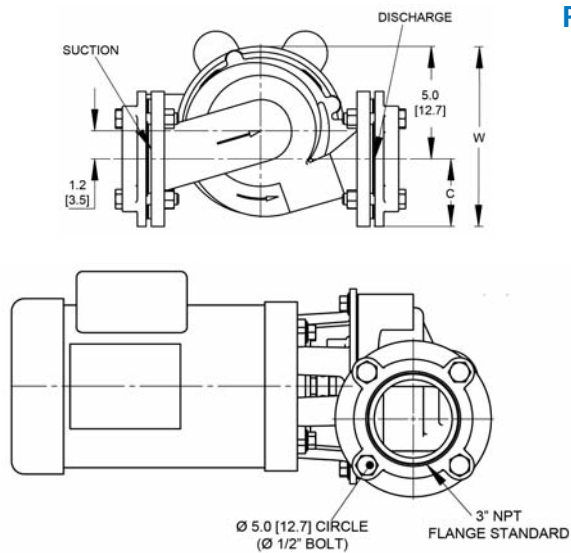
NOTE: Dimensions are in inches (centimeters) and have a tolerance of $\pm 1/8"$

NOTE: Electric supply for ALL motors must be within $\pm 10\%$ of nameplate voltage rating (Ex. 230V $\pm 10\%$ = 207 to 253)

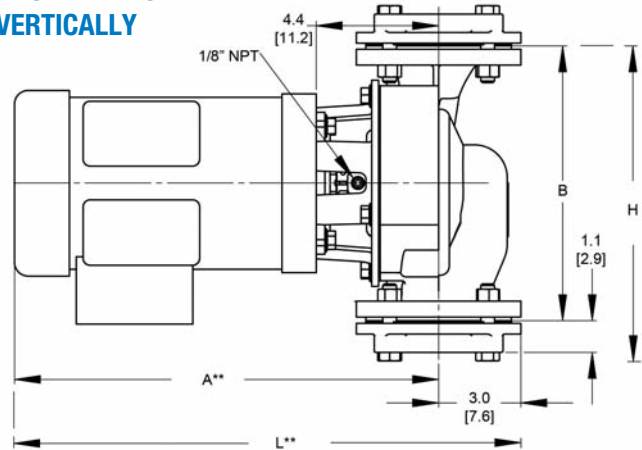
‡ When ordering add the correct -9x suffix to model number indicating material selection

XCI (-95) = Cast Iron Construction

XB (-97) = Cast Bronze Construction



PUMPS ARE DESIGNED TO MOUNT HORIZONTALLY OR VERTICALLY



Manufacturer Cross Reference

| Model Series | Flange to Flange Width | Bell & Gossett Series (C.Iron) | Bell & Gossett Series (Bronze) | Armstrong Series | TACO Series | Dayton (C.Iron) |
|--------------|------------------------|--------------------------------|--------------------------------|------------------|-------------|-----------------|
| 5735/5736 | 10 | LD3 | LD3AB | S-45 | 122 | 4RC99 |
| 5730/5731 | 10 | HD3 | HD3AB | S-46 | 131 | 4RD12 |
| 5745/5746 | 12 | PD-35S | PDB35S | S-55 | 132 | 4RD13 |
| 5740/5741 | 12 | PD-37S | PDB37S | S-56 | 133 | 4RD14 |

Standard Features

- Mounting Flange Kit for 3" NPT, Which Includes (2) Flanges, (2) Gaskets, and Fasteners
- 4-Bolt Flange Allows 360° Mounting Rotation in 90° Increments
- 1/8" NPT Seal Wash/Vent Port
- EPDM/EPR Mechanical Seal and O-Rings
- Optional Buna-N Mechanical Seal and O-Ring Available
- Stainless Steel (300 Series) Stub Shaft
- High Efficiency Closed Impeller
- Standard NEMA 56C Motor Mounting Dimensions
- Available in either Single Phase or Three Phase TEFC 56C Motors
- Maximum Working Pressure 150 PSI
- QSP: Quick Ship Pump for Many Models