

Please read and save this Repair Parts Manual. Read this manual and the General Operating Instructions carefully before attempting to assemble, install, operate or maintain the product described. Protect yourself and others by observing all safety information. The Safety Instructions are contained in the General Operating Instructions. Failure to comply with the safety instructions accompanying this product could result in personal injury and/or property damage! Retain instructions for future reference. AMT reserves the right to discontinue any model or change specifications at any time without incurring any obligation.

©2012 American Machine & Tool Co., Inc. of PA, A Subsidiary of The Gorman-Rupp Company, All Rights Reserved.

Periodic maintenance and inspection is required on all pumps to insure proper operation. Unit must be clear of debris and sediment. Inspect for leaks and loose bolts. Failure to do so voids warranty.

# Cast Iron Rotary Drum Pump

## DESCRIPTION

This rotary oil pump has cast iron housing and carbon vanes. Applications include dispersing and transferring lubricating oil, antifreeze (ethylene-glycol), fuel oil, gasoline, and other non-corrosive liquids which are compatible with pump component materials. Liquids must be clean and free of debris and solids to avoid excessive wear or vane failure. It is capable of siphoning at 2 GPM.

Pump is supplied with a 2" bung adapter and adjustable suction tube which fits most 15, 30, and 55 gallon drums or tanks.

## SPECIFICATIONS

Flow.....	10 GPM @ 135 RPM (4821-95)
	15 GPM @ 135 RPM (5541-95)
Maximum liquid temperature.....	10 F
Mounting.....	2" Bung Adapter
Inlet.....	1" NP
Outlet.....	3/4" NP (4821-95)
	1" NP (5541-95)
Weight.....	15 lbs. (4821-95)
	20 lbs. (5541-95)
Basic Construction.....	Cast Iron
Vanes.....	Carbon
Rod, Spring.....	Steel
Shaft Seal.....	Buna N
Cover Gaskets.....	Buna N
Suction tube Assembly, Discharge Spout.....	Plated Steel
Fasteners (non-wetted).....	Plated Steel

## UNPACKING

When unpacking the unit, inspect carefully for any damage that may have occurred during transit. Check for loose, missing, or damaged parts. Transit damage claims should be made to the shipping company.

## GENERAL SAFETY INFORMATION

### ▲ WARNING

*It is the responsibility of the user to operate the pump in conformance with OSHA rules for dispensing liquids. Pump containers should be grounded when using with flammable liquids to avoid static electricity. Pump should be washed out before usage since processing lubricants could contaminate the fluid.*

- When using a hand pump (especially when pumping flammable, combustible or hazardous liquids) follow all electrical and safety codes, as well as the United States Occupational Safety and Health Act (OSHA), most recent National Electrical Code (NEC), National Fire Protection Association, Inc.\* (NFPA) Code 30 (Flammable and Combustible Code), NFPA 56A (Standard for use of Inhalation Anesthetics), NFPA 77 (Static Electricity), NFPA 78 (Lighting Protection Code), NFPA 80 (Standard for Fire Doors and Windows), NFPA 251 (Standard Method of Fire Test of Building Construction), NFPA 704 (Identification of the Fire Hazards of Materials), other NFPA codes, local codes and ordinances, as needed in a particular application.

(\*Any of the NFPA Codes can be obtained from: National Fire Protection Association, Inc., 1 Batterymarch Park, Quincy, MA 02269, telephone 1-800-344-3555. Write or call for listing and prices.

- Know the pump application, limitations, and potential hazards. The WARNING statements indicate potentially hazardous conditions for the operator or equipment. TAKE NECESSARY STEPS TO PROTECT PERSONNEL AND EQUIPMENT.

Pump should only be used with liquids compatible with pump component materials. Consult PUMP CHEMICAL COMPATIBILITY CHART and PUMP SPECIFICATIONS. Also, the chemical supplier should be consulted regarding any questions of chemical compatibility, proper and safe use and handling of chemical. Misapplication of pump or use of incompatible liquids will void warranty.

### ▲ WARNING

*In order to properly use this product familiarize yourself with this pump and also with the liquid (chemical, etc.) that is going to be pumped through the unit. Although this pump is suitable for many liquids, it is not suitable for all liquids or liquids with debris or solids!*

- Pumping hazardous, flammable, or combustible liquids should only be done in buildings, rooms, or areas suited for this purpose. (See NFPA 30, NFPA 78, NFPA 80, NFPA 251, NFPA 704, other suitable NFPA codes, OSHA, insurance companies, local codes and ordinances.)

### ▲ WARNING

*When filling cans, drums, etc. with combustible or flammable liquids, both containers (container pumping from and container pumping to), should be bonded and grounded to dissipate possible accumulations of static electricity and minimize sparks caused by static electricity. (Refer to NFPA 77 for specifics and further details.) Removal of outer garments in work areas where there may be flammable or explosive liquids, which are ignitable with low electrical energy can be fatal and/or cause property damage. (Refer to NFPA 56A and NFPA 77 for further details.)*

- The WARNING and instructions that follow pertain not only to gasoline, but to any flammable, combustible or hazardous fluid.

### ▲ WARNING

*Gasoline is a highly flammable fuel. The improper use, handling, or storage of gasoline can be dangerous. Prevent accidents by following these safety rules.*

- Use gasoline only as fuel, never as a cleaning fluid.
- Use only an approved container to hold or store gasoline. Never store gasoline in familiar containers such as milk containers or soda pop bottles.
- Store gasoline in a cool location, out of the reach of children. Never store gasoline near heat or an open flame.
- Provide a fire extinguisher nearby when working with gasoline. Be sure extinguisher is in operating condition – check the pressure gauge of indicator. Be familiar with its

# Cast Iron Rotary Drum Pump

## GENERAL SAFETY INFORMATION (Continued)

- proper use. Consult local fire department for the correct type of extinguisher for your application. Extinguishers rated ABC by the National Fire Protection Association are appropriate for most applications.
- Provide positive shut-off valves on all permanent fuel supplies. Fuel lines must be of steel piping, adequately secured, and free from leaks.
  - Provide adequate ventilation, and clean up any spills when handling or pumping flammable liquids.
  - POSITIVELY NO SMOKING!**
- Do not use torches or apply fire to this pump for any reason.
  - Secure the discharge line before starting the pump. An unsecured discharge line will slip, possibly causing personal injury and/or property damage.
  - Do not over tighten nonmetallic, threaded fittings. One full turn past hand tight is usually enough to prevent leakage. Teflon® sealant tape is provided and should be used on all threaded joints, including the spout.
  - Check hoses for weak or worn conditions before each use, making certain that all connections are secure.
  - Periodically inspect pump and system components. Perform routine maintenance as required.
  - Drain all liquids from the system before servicing.

### **▲ WARNING**

*Any pump used to transfer flammable liquids must be stored in a well-ventilated area after use.*

## PERSONAL SAFETY

- Wear safety glasses at all times when working with pump.
- Wear a face shield, proper apparel and suitable respiratory equipment when pumping hazardous chemicals.
- Keep work area clean, uncluttered, and properly lighted. Replace all unused tools and equipment.
- Keep visitors at a safe distance from the work area.
- Make workshop childproof with padlocks, master switches, and by removing starter keys.

### **▲ WARNING**

*Failure to follow all General Safety Information can result in a fatality, personal injury and/or property damage!*

## ASSEMBLY AND INSTALLATION

(Refer to Figure 1)

- Screw bung adapter (Ref. No. 3) into drum with threaded end down.
- Screw spout (Ref. No. 1) into pump casing (Ref. No. 2).
- Screw suction tube (Ref. No. 4) into base of pump casing. Use Teflon® Sealant tape provided.
- Insert pump assembly into drum through bung adapter and tighten butterfly screw by hand. Do not use wrench or tool to tighten butterfly screw.

### **▲ CAUTION**

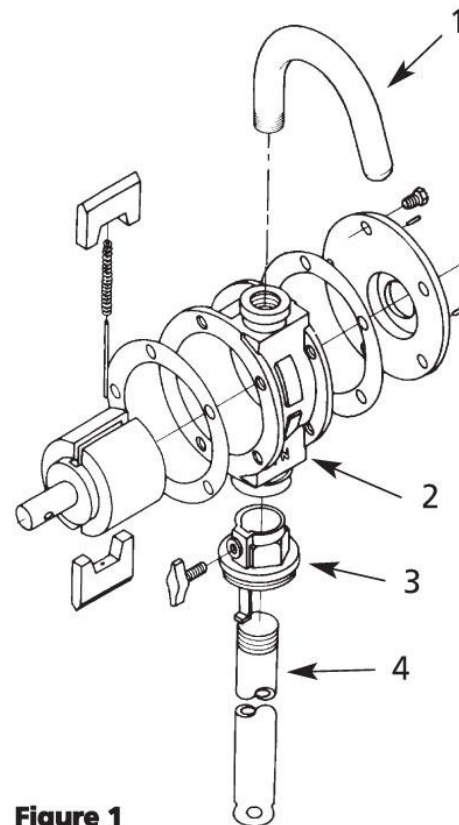
*Not for use with water or other liquids that may cause corrosion.*

## OPERATION

- Rotate handle clockwise several times.
- For siphoning, set handle straight down.
- To stop siphoning, rotate handle ¼ turn.
- After using pump, set handle straight down. Oil will drain back to container.
- To keep unit from sticking or rusting, pour in oil and turn a few times.

## MAINTENANCE

In some applications, condensation or water in the liquid will cause accumulation of residue buildup, liquid hardening, or jelling inside the pump, which may cause the pump to stick. Pouring penetrating oil into the pipe opening then cranking several times usually will free the pump.



**Figure 1**

## Troubleshooting Chart

Symptom	Possible Cause(s)	Corrective Action
Pump does not prime	<ol style="list-style-type: none"> <li>Suction line above liquid</li> <li>Pump speed too slow</li> <li>Unsuitable suction line</li> <li>Clogged suction line and/or filter</li> <li>Suction line air leakage</li> <li>Cover air leakage</li> <li>Shaft air leakage</li> <li>Housing air leakage</li> <li>△9. Shifted or worn rotor</li> <li>Damaged/worn pump parts</li> </ol>	<ol style="list-style-type: none"> <li>Ensure that open end of suction line remains completely below surface of liquid</li> <li>Operate pump handle rapidly until pump primes (up to 30 cycles)</li> <li>Pumps are intended for use with suction line supplied. Longer or collapsible suction line may prohibit priming. Use short length rigid line similar in diameter to suction port. (Maximum pump height above liquid 3")</li> <li>Clean suction line and/or filter (where applicable)</li> <li>Verify that all suction line connections are sealed tightly. Use Teflon® tape or appropriate sealant if necessary</li> <li>Inspect pump cover(s) for looseness and damaged or slipped gaskets. Replace damaged gaskets and snug-up cover(s)</li> <li>Verify shaft seal is properly seated and in good condition. Replace seal if worn or damaged</li> <li>Inspect entire pump housing, cover(s), and shaft for cracks. Replace damaged parts</li> <li>Loosen all cover bolts. View pump from side with suction/discharge ports in vertical position and on right hand side. Reposition rotor by grasping covers and sliding towards 3 o'clock position. Do not use excessive force. Hold in position and re-tighten cover bolts</li> <li>Remove pump cover and inspect for broken pieces. Components should have smooth finish, no large grooves or voids. Replace damaged parts. Piston type pumps may include a poppet valve which is designed to prevent back-flow. If excessive leakage past valve is found, replace valve (some leakage is normal)</li> </ol>
Handle difficult or impossible to move	<ol style="list-style-type: none"> <li>Pump has not been used for some time</li> <li>Damaged/worn pump parts</li> <li>Corroded pump parts</li> <li>†4. Damaged/worn gear drive parts</li> </ol>	<ol style="list-style-type: none"> <li>Remove pump cover and inspect for crystallized, solidified, or gummy remains. Clean parts. To prevent future occurrences, flush pump with appropriate solvent after pumping problem liquid</li> <li>Remove pump cover and inspect internal parts. Components should have smooth finish, no large grooves or voids. Replace damaged parts</li> <li>Remove pump cover and inspect for corrosion. Clean parts and use pump only for liquids which are compatible with pump component materials</li> <li> <ol style="list-style-type: none"> <li>Remove oil plug from gear case and verify oil level is correct, top-up if necessary. See "Maintenance" for proper lubricant</li> <li>If pump is still difficult to turn, drain gear oil and inspect oil for contaminants indicating damaged gears. Replace damaged parts</li> </ol> </li> </ol>
Insufficient flow	<ol style="list-style-type: none"> <li>Clogged, collapsed, or undersized filter, suction and/or discharge line</li> <li>Also see above "Pump does not prime"</li> </ol>	<ol style="list-style-type: none"> <li>Pumps are intended for use with supplied rigid line and filter (where applicable). Verify line and filter are clean, not pinched closed, and of similar size of port connection</li> <li>Check and repair as necessary</li> </ol>

(\*) For pumps supplied without suction/discharge lines, see "Description" for appropriate line.

(r) Applies only to vane (not lobe or piston) type pumps.

(†) Applies only to lobe (not vane or piston) type pumps, which use a gear drive unit.

# For Repair Parts contact dealer where pump was purchased.

Please provide following information:

- Model Number
- Serial Number (if any)
- Part description and number as shown in parts list

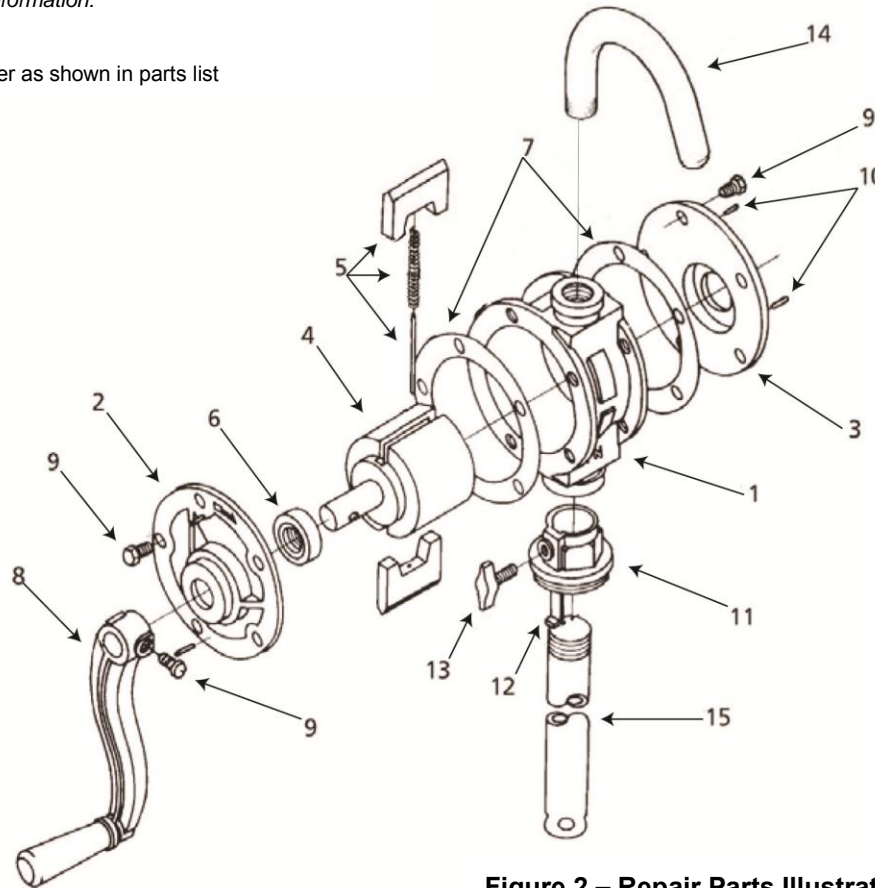


Figure 2 – Repair Parts Illustration

## Repair Parts List

Ref. No.	Description	Part Number for Models:		Qty.
		4821-95	5541-95	
1	Pump Casing	Replace Pump	Replace Pump	1
2	Front Cover	Replace Pump	Replace Pump	1
3	Rear Cover	Replace Pump	Replace Pump	1
4	Pump Shaft	Replace Pump	Replace Pump	1
5	Vane Kit, Carbon	4821-010-90	5541-010-90	1
6	Lip Seal	4821-300-90	5541-300-90	1
7	O-Ring Kit (2)	4821-301-90	5541-301-90	1
8	Crank Arm with Handle	4821-100-90	5541-100-90	1
9	Fastener	*	*	11
10	Taper Pin	N/A	N/A	4
11	Bung Adapter (includes Ref. No. 13)	C209-170-90	C209-170-90	1
12	Shim Clip	C209-100-00	C209-100-00	1
13	Butterfly Screw	Incl. w/ Ref. 11	Incl. w/ Ref. 11	1
14	Spout	4821-171-90	5541-171-90	1
15	Suction Tube Assembly	4820-172-90	4820-172-90	1

(\*) Standard Hardware Item, Available Locally