

Industrial/Commercial Sump Pumps

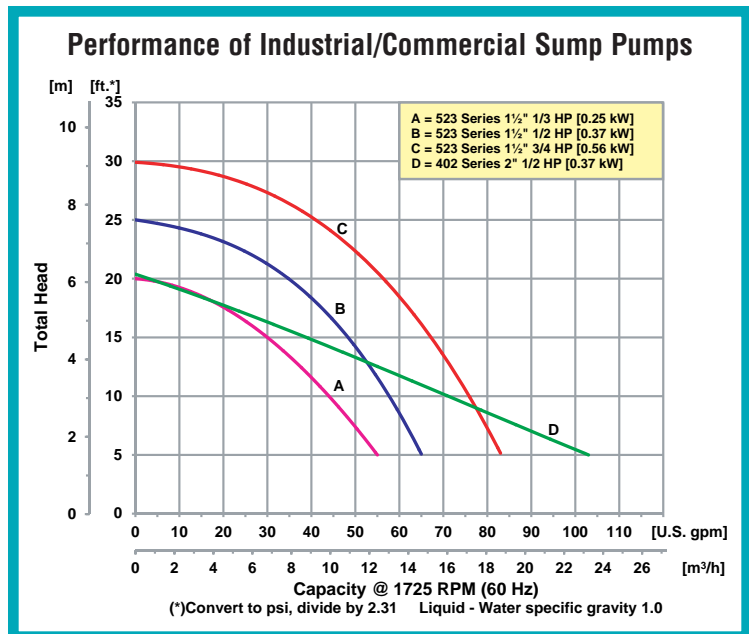


Stainless Steel
TEFC Model
Sump Pump



- **Stainless Steel, Bronze and Cast Iron Construction**
- **Stainless Steel Shaft & Float**
- **Carbon Bearings**
- **29" to 44" Column Height**
- **1-1/2" or 2" NPT Discharge**
- **Maximum Head 30 Ft.**
- **Maximum Flow 103 GPM**
- **Semi-Open, Clog Resistant Impellers**
- **Available with Totally Enclosed Fan Cooled (TEFC) 1/3, 1/2 and 3/4 HP 115 VAC, Single Phase Motors**

The AMT line of Industrial/Commercial Sump pumps is designed for heavy duty commercial applications, as well as residential use where a combination of durability and high performance is required. AMT Sump pumps are available in stainless steel, bronze and cast iron constructions with TEFC motors in 1/3 through 3/4 HP for proper pump selection in most applications. All models include stainless steel shaft, screen and float. All motors are fitted with automatic switch and an 8 foot 16/3 115 VAC line cord. Pumps require minimum sump pit of 14" diameter and 24" depth.



400 Spring Street • Royersford, PA 19468 USA

www.amtpump.com • 888-amt-pump (268-7867)

For use with nonflammable liquids compatible with pump component materials. Viton® is a registered trademark of E.I. DuPont.

Pump Dimensional & Specification Data

Model #	Curve	DIS*	HP	PH	ENC	Voltage @ 60 Hz	Full Load Amps	Motor Frame	A	B	C	D	E	F	G	J	W	H**	‡ Ship Wt. (Lbs.)
5239	A	1-1/2	1/3	1	TEFC	115	6	56C	8.5 [21.7]	4.6 [11.8]	4.2 [10.9]	29.9 [75.9]	3.5 [8.9]	3.2 [8.1]	50.7 [128.8]	16.7 [42.5]	11.0 [28.0]	38.4 [97.7]	42
523C	B	1-1/2	1/2	1	TEFC	115	9	56C	9.0 [22.9]	4.6 [11.8]	4.2 [10.9]	29.9 [75.9]	3.5 [8.9]	3.2 [8.1]	50.7 [128.8]	16.7 [42.5]	11.0 [28.0]	39.9 [98.8]	43
523D									9.0 [22.9]	4.6 [11.8]	4.2 [10.9]	41.9 [106.4]	3.5 [8.9]	3.2 [8.1]	62.7 [159.3]	28.7 [73.0]	11.0 [28.0]	50.9 [129.3]	45
523F	C	1-1/2	3/4	1	TEFC	115	12	56C	9.2 [23.4]	4.6 [11.8]	4.2 [10.9]	29.9 [75.9]	3.5 [8.9]	3.2 [8.1]	50.7 [128.8]	16.7 [42.5]	11.0 [28.0]	39.1 [99.4]	47
4020+	D	2	1/2	1	TEFC	115	9	56C	9.0 [22.9]	5.5 [14.0]	5.0 [12.8]	30.9 [78.5]	4.5 [11.5]	3.4 [8.8]	51.7 [131.4]	17.7 [45.1]	12.6 [32.2]	39.9 [101.4]	51
4021+									9.0 [22.9]	5.5 [14.0]	5.0 [12.8]	30.9 [78.5]	4.5 [11.5]	3.4 [8.8]	51.7 [131.4]	17.7 [45.1]	12.6 [32.2]	39.9 [101.4]	50
4022+									9.0 [22.9]	5.5 [14.0]	5.0 [12.8]	42.9 [109.0]	4.5 [11.5]	3.4 [8.8]	63.7 [161.9]	17.7 [45.1]	12.6 [32.2]	51.9 [131.9]	54

(* Standard NPT (female) pipe thread.

(**) This dimension may vary due to motor manufacturer's specifications.

NOTE: All dimensions are in inches (centimeters) and have a tolerance of ±1/8"

NOTE: Electric Supply for ALL motors must be within ± 10% of nameplate voltage (Ex: 230V = 203 to 253)

(+) Handles up to 3/4" Solids

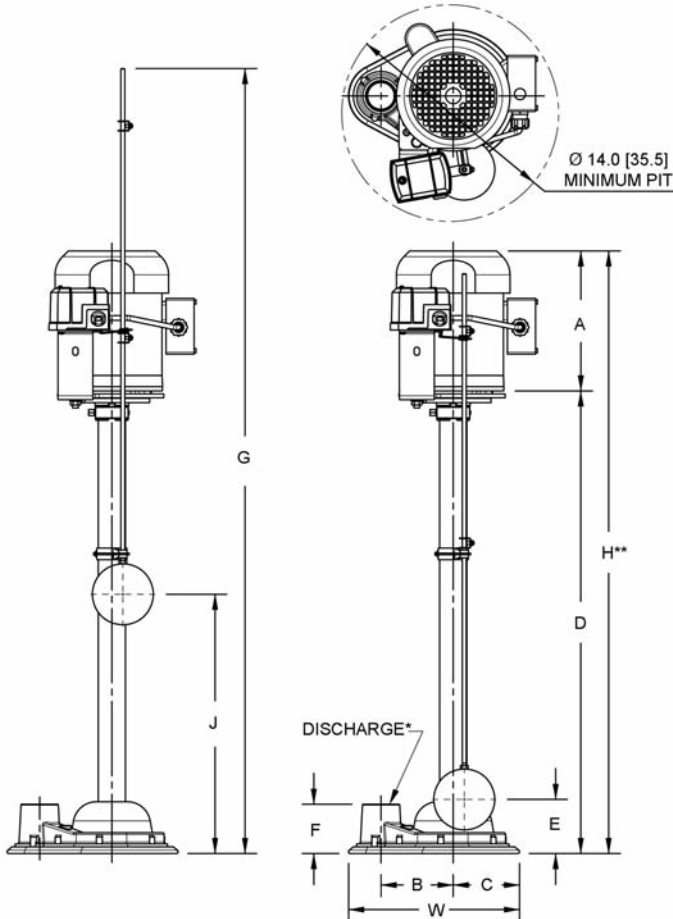
NOTE: Check Price Book for Specific Pump Construction/Material Availability.

‡ When Ordering Add the Correct-9? Suffix to Model Number Indicating Material Selection (Ex: 5239-95)

XCI (-95) = Cast Iron Construction with Stainless Steel Impeller

XB (-97) = Cast Bronze Construction with Stainless Steel Impeller (Refer to Pricebook for Available Models)

XSS (-98) = Stainless Steel Construction with Stainless Steel Impeller (Refer to Pricebook for Available Models)



Standard Features

- Stainless Steel Screen and Float
- Semi-Open, Clog Resistant Impellers
- 1/3, 1/2 or 3/4 HP TEFC 115 VAC Single Phase 56C Frame Motors
- 8 Ft. 16/3 115 VAC Line Cord
- Maximum Head 30 ft.
- Maximum Flow 103 GPM
- Stainless Steel Shaft
- Carbon Bearings
- 29" to 44" Column Height
- Maximum Temperature 200° F
- Solids Handling Design up to 3/4" Diameter (25% Maximum Solids)
- QSP - Quick Ship Pumps