

12 Volt DC High Head Washdown Pumps



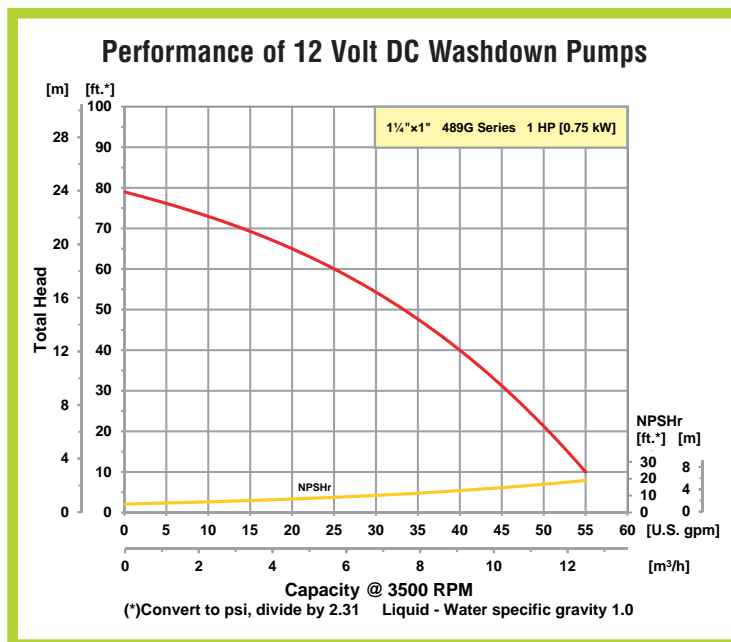
Model 489G-95
Cast Iron

- **300 Series Investment Cast Stainless Steel and Cast Iron with Stainless Steel Impeller Construction**
- **Viton® Mechanical Seal and O-Ring with Stainless Steel Models**
- **Buna-N Mechanical Seal and O-Ring with Cast Iron Models**
- **Discharge Port Rotates in 90° Increments**
- **(4) Front Drain Plugs**
- **Maximum Flow 56 GPM**
- **Maximum Head 80 Ft. (35 PSI)**
- **High Efficiency Closed Impeller**
- **1 HP 12 Volt DC Premium Washdown Duty Motor for Severe and Damp/Wet Operating Conditions**

AMT 12 Volt DC Washdown pumps are designed for OEM, septic service, pumper and marine applications requiring a DC motor.

The motor has a one hour duty rating and is furnished with a stainless steel shaft. This washdown duty pump is available in a variety of construction and seal materials to meet your specifications. Pull-from-rear design for easy servicing without disturbing any piping. High efficiency impeller maximizes performance. **Pumps are not self-priming and require flooded suction.**

Premium 12 Volt DC washdown duty motors are built to handle high pressure washdown and damp/wet environments. The motor features epoxy paint, condensate drains, interior coating to protect against moisture or corrosion, special shaft seals to retard water, 12 Volt DC stud connections with o-ring seals, oversized brushes assuring longer brush life and base mount. **Units are not submersible in liquids.**

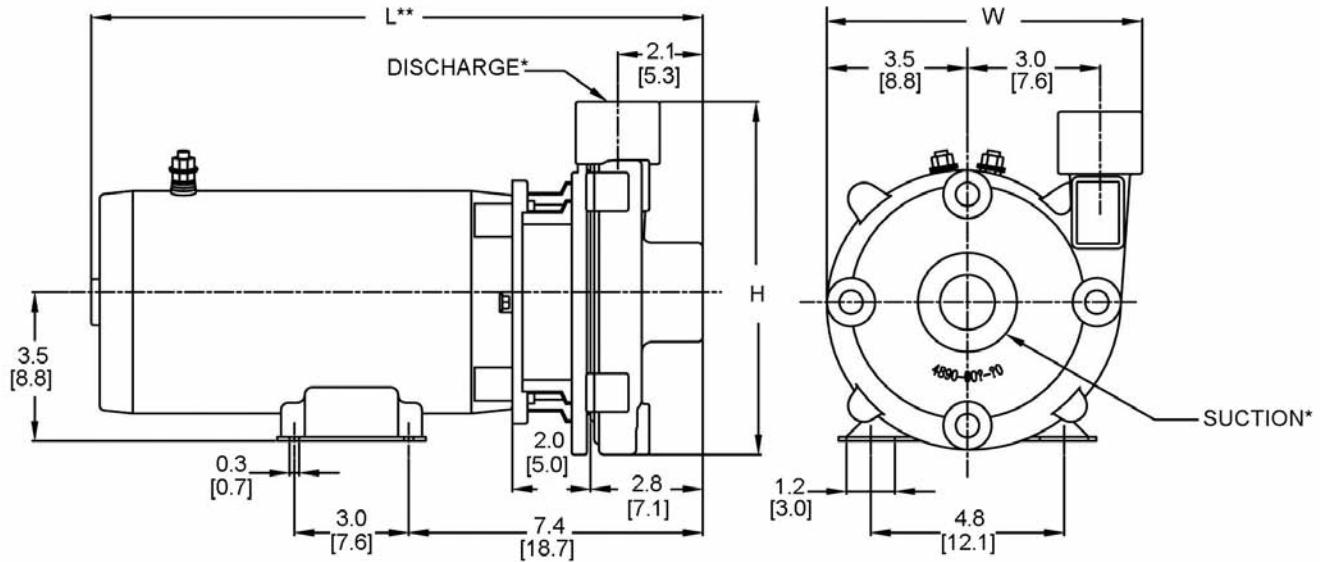


400 Spring Street • Royersford, PA 19468 USA

www.amtpump.com • 888-amt-pump (268-7867)

For use with nonflammable liquids compatible with pump component materials. Viton® and Teflon® are registered trademarks of E. I. DuPont.

Pump Dimensional & Specification Data



Model ‡	SUC*	DIS*	L**	W	H	‡ Ship Wt. (Lbs.)
489G	1¼	1	15.5 [39.3]	7.9 [20.0]	8.5 [21.6]	57

Maximum Solids Handling Capacity: 3/16" Diameter

(*) Standard NPT (Female) pipe thread.

(**) This dimension may vary due to motor manufacturer's specifications.

NOTE: Dimensions are in inches (centimeters) and have a tolerance of $\pm 1/4$ ".

NOTE: Electric supply for ALL motors must be within $\pm 10\%$ of nameplate voltage rating (e.g. 230V $\pm 10\%$ = 207 to 253).

‡ When Ordering, Add the Correct (-9X) Suffix to Model Number Indicating Material Selection (Ex. 489G-95)

XCI (-95) Cast Iron Construction with Buna-N Seals

XSS (-98) Cast Stainless Steel Construction with Viton® Seals

(All Models Come Standard with Stainless Steel Impeller)

Standard Features

- 300 Investment Cast Stainless Steel and Cast Iron Construction
- Buna-N or Viton® Mechanical Seal and O-ring, Depending on Model
- 12 Volt DC 1 HP Washdown Duty Motor with Stainless Steel Shaft
- Maximum Working Pressure 150 PSI
- Premium Washdown Duty Motor for Severe and Wet Operating Conditions
- Discharge Rotates in 90° Increments
- Maximum Temperature
 - ◆ Viton® 200° F
 - ◆ Buna-N 180° F
- High Efficiency Closed Stainless Steel Impeller
- (4) Front Drain Plugs, Located 90° Apart
- QSP – Quick Ship Pumps