

High Head Straight Centrifugal Pumps

- **300 Series Investment Cast Stainless Steel, Cast Bronze and Cast Iron Construction with Stainless Steel Impeller**
- **Viton® Mechanical Seal and O-Ring with Stainless Steel and Bronze Models**
- **Buna-N Mechanical Seal and O-Ring with Cast Iron Models**
- **Optional Silicon Carbide Mechanical Seals Available**
- **Discharge Port Rotates in 90° Increments**
- **489 Series: 1-1/4" x 1" Ports**
- **490 Series: 1-1/2" x 1-1/4" Ports**
- **High Efficiency Closed Impeller**
- **Maximum Flow 118 GPM**
- **Maximum Head 149 Ft. (65 PSI)**



Model 490A-98
Stainless Steel

AMT High Head End Suction Centrifugal pumps are designed for continuous-duty OEM, Industrial/Commercial and processing applications including circulation, chemical processing, liquid transfer, heating and cooling, sprinkler/fire protection systems and pressure boosting.

These heavy duty high pressure pumps are available in a variety of construction and seal materials to meet your specification. Pull-from-rear design for easy servicing without disturbing any piping. High efficiency closed impeller maximizes performance. Pumps are close coupled to Totally Enclosed Fan Cooled (TEFC) or Open Drip Proof (ODP) motors. **Pumps are not self-priming and require flooded suction.**



400 Spring Street • Royersford, PA 19468 USA

www.amtpump.com • 888-amt-pump (268-7867)

For use with nonflammable liquids compatible with pump component materials. Viton® and Teflon® are registered trademarks of E. I. DuPont.

Pump Dimensional & Specification Data

Model ‡	Curve	HP	PH	ENC	Voltage @ 60 Hz +	Full Load Amps	SUC*	DIS*	A**	B**	C**	D	E	F	L**	W**	H	‡ Ship Wt. (Lbs.)
4893	A	1/2	1	ODP	115/230	10/5	1 1/4	1	N/A	5.1 [13.0]	7.4 [18.9]	0.2 [0.6]	2.1 [5.3]	3.3 [8.5]	14.0 [35.5]	8.2 [20.8]	8.6 [21.8]	43
489C		3/4	1	TEFC	115/230	9/5	1 1/4	1	5.4 [13.8]	5.1 [13.0]	7.4 [18.9]	0.2 [0.6]	2.1 [5.3]	3.3 [8.5]	14.7 [37.3]	10.0 [25.4]	8.6 [21.8]	51
489D		3/4	3	TEFC	230/460	3/2	1 1/4	1	5.4 [13.8]	N/A	7.4 [18.9]	0.2 [0.6]	2.1 [5.3]	3.3 [8.5]	14.2 [36.0]	10.0 [25.4]	8.6 [21.8]	43
489E	B	1	1	TEFC	115/230	12/6	1 1/4	1	5.4 [13.8]	5.1 [13.0]	7.4 [18.9]	0.2 [0.6]	2.1 [5.3]	3.3 [8.5]	14.9 [37.8]	10.0 [25.4]	8.6 [21.8]	57
489F		1	3	TEFC	208-230/460	3/2	1 1/4	1	5.4 [13.8]	N/A	7.4 [18.9]	0.2 [0.6]	2.1 [5.3]	3.3 [8.5]	13.5 [34.3]	10.0 [25.4]	8.6 [21.8]	47
4890	C	1	1	ODP	115/230	17/9	1 1/4	1	N/A	5.1 [13.0]	8.1 [20.6]	0.2 [0.6]	2.1 [5.3]	3.3 [8.5]	14.7 [37.3]	8.2 [20.8]	8.6 [21.8]	54
489A		1 1/2	1	TEFC	115/230	19/9	1 1/4	1	5.4 [13.8]	5.1 [13.0]	7.4 [18.9]	0.2 [0.6]	2.1 [5.3]	3.3 [8.5]	15.4 [39.1]	10.0 [25.4]	8.6 [21.8]	61
489B		1 1/2	3	TEFC	230/460	5/3	1 1/4	1	5.4 [13.8]	N/A	7.4 [18.9]	0.2 [0.6]	2.1 [5.3]	3.3 [8.5]	15.2 [38.6]	10.0 [25.4]	8.6 [21.8]	50
4902	D	1 1/2	1	ODP	115/230	22/11	1 1/2	1 1/4	N/A	5.1 [13.0]	8.7 [22.1]	0.5 [1.4]	3.0 [7.6]	3.4 [8.9]	15.8 [40.1]	8.7 [22.1]	9.0 [22.8]	58
490C		2	1	TEFC	115/230	22/11	1 1/2	1 1/4	5.4 [13.8]	5.1 [13.0]	8.0 [20.4]	0.5 [1.4]	3.0 [7.6]	3.4 [8.9]	16.8 [42.6]	10.2 [25.9]	9.0 [22.8]	66
490D		2	3	TEFC	230/460	6/3	1 1/2	1 1/4	5.4 [13.8]	N/A	8.0 [20.4]	0.5 [1.4]	3.0 [7.6]	3.4 [8.9]	16.3 [41.4]	10.2 [25.9]	9.0 [22.8]	59
4904	E	2	1	ODP	115/230	28/14	1 1/2	1 1/4	N/A	5.1 [13.0]	8.7 [22.1]	0.5 [1.4]	3.0 [7.6]	3.4 [8.9]	15.8 [40.1]	8.7 [22.1]	9.0 [22.8]	66
490A		3	1	TEFC	230	16	1 1/2	1 1/4	5.4 [13.8]	5.0 [12.7]	8.0 [20.4]	0.5 [1.4]	3.0 [7.6]	3.4 [8.9]	17.3 [43.9]	10.2 [25.9]	9.0 [22.8]	75
490B		3	3	TEFC	230/460	8/4	1 1/2	1 1/4	5.4 [13.8]	N/A	8.0 [20.4]	0.5 [1.4]	3.0 [7.6]	3.4 [8.9]	16.8 [42.6]	10.2 [25.9]	9.0 [22.8]	63
4900	F	3	1	ODP	230	18	1 1/2	1 1/4	N/A	5.0 [12.7]	8.7 [22.1]	0.5 [1.4]	3.0 [7.6]	3.4 [8.9]	17.1 [43.4]	8.7 [22.1]	9.0 [22.8]	73
4901		3	3	ODP	208-230/460	9/5	1 1/2	1 1/4	N/A	N/A	8.0 [20.4]	0.5 [1.4]	3.0 [7.6]	3.4 [8.9]	16.8 [42.6]	8.7 [22.1]	9.0 [22.8]	73

(*) Standard NPT (Female) pipe thread.

Maximum Solids Handling Capacity: 1/8" Diameter

(**) This dimension may vary due to motor manufacturer's specifications.

(+) 3-Phase motors can also operate on 50 Hz. (This will change full load amps, service factor and RPM)

NOTE: Dimensions are in inches (centimeters) and have a tolerance of ± 1/4".

NOTE: Electric supply for ALL motors must be within ±10% of nameplate voltage rating (e.g. 230V ±10%= 207 to 253).

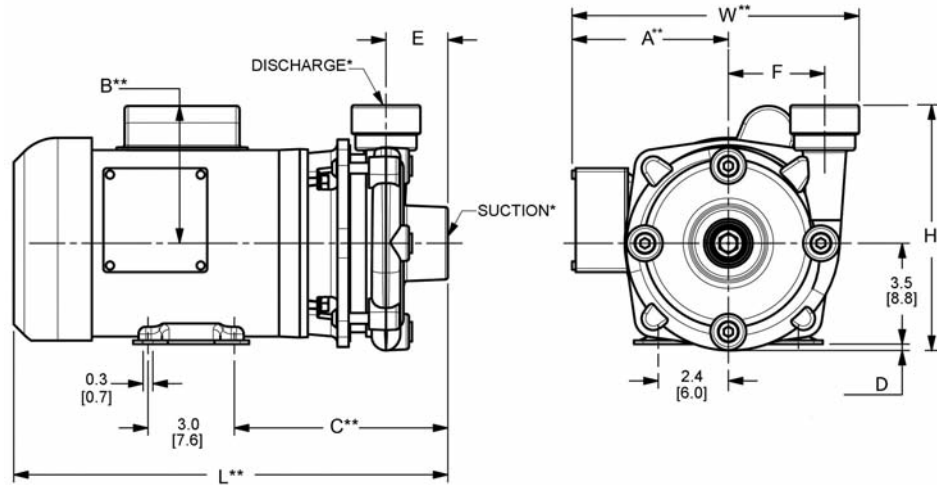
‡ When Ordering, Add the Correct (-9X) Suffix to Model Number Indicating Material Selection (Ex. 4893-95)

XCI (-95) Cast Iron Construction with Buna-N Seals

XB (-97) Cast Bronze Construction with Viton® Seals

XSS (-98) Cast Stainless Steel Construction with Viton® Seals

(All Models Come Standard with Stainless Steel Impeller)



Standard Features

- Stainless Steel, Bronze and Cast Iron Construction
- Buna-N or Viton® Mechanical Seal and O-ring, Depending on Model
- Optional Silicon Carbide Mechanical Seals Available
- Stainless Steel Motor Shaft and Hardware
- NEMA TEFC Single or Three Phase 3450 RPM Motors, Optional ODP Motors Available
- NEMA Base Mounted Motor
- High Efficiency Closed Stainless Steel Impeller
- Discharge Rotates in 90° Increments
- Maximum Working Pressure 150 PSI
- Maximum Temperature
 - ◆ Viton® 200° F
 - ◆ Buna-N 180° F
- (4) Front Drain Plugs, Located 90° Apart
- QSP – Quick Ship Pump for Many Models

Hazardous Duty/Explosion Proof motors available from stock ranging from 1 to 10 HP; CALL FOR QUOTATION & LEAD TIME!