

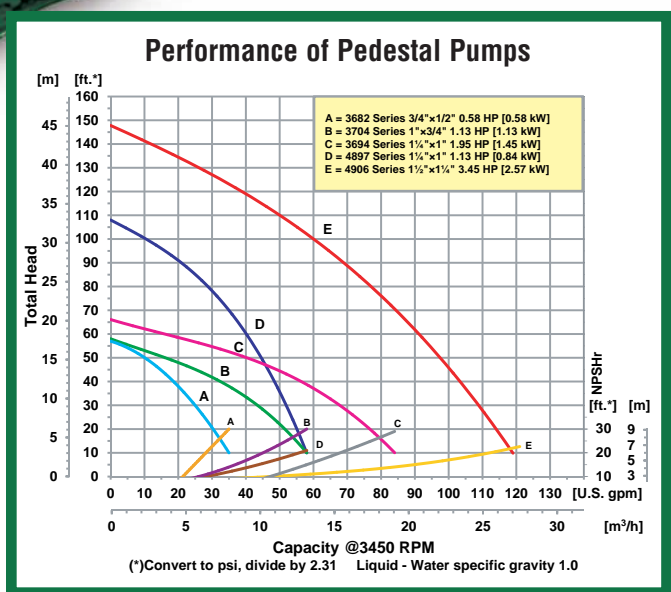
# Straight Centrifugal Pedestal Pumps

- **Available in: 300 Series Investment Cast Stainless Steel, Stainless Steel Fitted Cast Iron or Cast Bronze Construction (See Pricebook for Specific Model Availability)**
- **Mechanical Seal**
  - ◆ **Stainless Steel** Viton®
  - ◆ **Cast Bronze** Viton®
  - ◆ **Cast Iron** Buna-N
  - ◆ **Optional** Silicon Carbide
- **3/4" to 1-1/2" NPT Suction Port Sizes**
- **1/2" to 1-1/4" NPT Discharge Ports**
- **Maximum Temperature**
  - ◆ **Buna-N 180° F**
  - ◆ **Viton® 200° F**
- **Maximum 4000 RPM**
- **High Head Models 4897 & 4906 for High Pressure/Booster Applications**
- **General Service Models 3682, 3694 & 3704 for Low Pressure Applications**



High Head Pedestal

Bronze Straight Pedestal



AMT Straight Centrifugal Pedestal pumps are designed for continuous duty OEM, Industrial/ Commercial and processing applications including: circulation, chemical processing, liquid transfer, heating and cooling. The high head models are ideal for sprinkler systems and pressure boosting.

These units are available in a variety of construction and seal materials. Pull-from-the-rear design permits easy servicing without disturbing any piping. Pedestals feature CNC machined shafts with sealed ball bearings. Models 4897 and 4906 pedestal drive are epoxy coated and include stainless steel shafts.



400 Spring Street • Royersford, PA 19468 USA  
[www.amtpump.com](http://www.amtpump.com) • 888-amt-pump (268-7867)

*For use with nonflammable liquids compatible with pump component materials. Viton® and Teflon® are registered trademarks of E. I. DuPont.*

## Pump Dimensional & Specification Data

Model	A	B	C	D	E	F	G	J	K	M (Dia.)	L	W	H
<b>GENERAL SERVICE MODELS</b>													
3694	1.5 [3.8]	2.0 [5.0]	N/A	3.2 [8.1]	1.3 [3.3]	0.3 [0.7]	0.3 [0.7]	3.0 [7.6]	1.3 [3.3]	5/8	6.7 [17.0]	6.4 [16.3]	5.7 [14.4]
3704	1.5 [3.8]	2.1 [5.3]	N/A	3.2 [8.1]	1.4 [3.5]	0.3 [0.7]	0.3 [0.7]	3.0 [7.6]	1.3 [3.3]	5/8	6.7 [17.0]	6.4 [16.3]	5.6 [14.2]
3682	1.5 [3.8]	1.9 [4.8]	N/A	3.2 [8.1]	1.4 [3.5]	0.3 [0.7]	0.3 [0.7]	3.0 [7.6]	1.3 [3.3]	5/8	6.6 [16.7]	5.7 [14.6]	5.1 [12.9]
<b>HIGH HEAD MODELS</b>													
4906	2.2 [5.5]	3.5 [8.8]	3.0 [7.6]	4.2 [10.6]	3.0 [7.6]	0.5 [1.2]	0.5 [1.2]	4.9 [12.4]	1.9 [4.8]	3/4	12.1 [30.7]	8.6 [21.8]	9.1 [23.1]
4897	2.2 [5.5]	3.3 [8.3]	3.0 [7.6]	4.2 [10.6]	2.1 [5.3]	0.5 [1.2]	0.5 [1.2]	4.4 [11.1]	1.9 [4.8]	3/4	11.5 [29.2]	8.1 [20.7]	9.0 [22.8]

Model ‡	Curve	SUC*	DIS*	Minimum BHP Required @ 3450 RPM	‡ Ship Wt. (Lbs.)
3682	A	3/4	1/2	0.58	10
3704	B	1	3/4	1.13	11
3694	C	1 1/4	1	1.95	13
4897	D	1 1/4	1	1.13	38
4906	E	1 1/2	1 1/4	3.45	40

(\*) Standard NPT (Female) pipe thread.

NOTE: Dimensions are in inches (centimeters) and have a tolerance of  $\pm 1/8"$ .

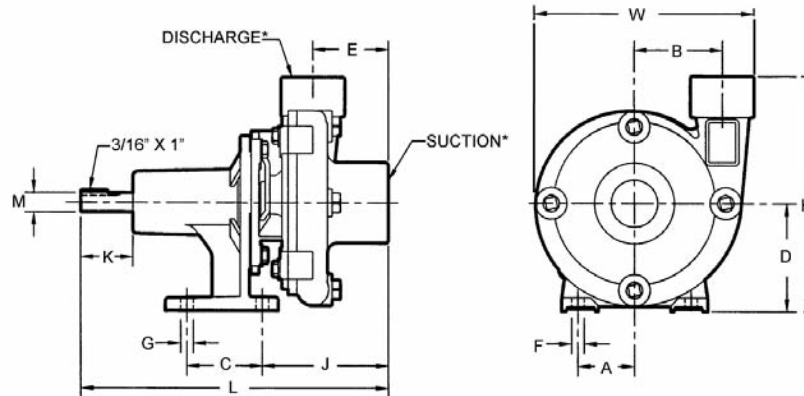
‡ When Ordering Add the Correct (-9x) Suffix to Model Number Indicating Material Selection (Ex. 4897-95).

XCI (-95) Cast Iron Construction with Stainless Steel Impeller and Buna-N Seals

XB (-97) Cast Bronze Casing with Stainless Steel Impeller, Pedestal with Viton® Seals

XSS (-98) Cast Stainless Steel Construction with Viton® Seals

(Check Pricebook for Availability on Models)



## Standard Features

- 300 Series Investment Cast Stainless Steel, Stainless Steel Fitted Cast Iron or Cast Bronze Construction (See Pricebook for Specific Model Availability)
- Mechanical Seal:
  - Cast Iron Buna-N
  - Stainless Steel Viton®
  - Cast Bronze Viton®
  - Optional Silicon Carbide
- Maximum Temperature:
  - Buna-N 180° F
  - Viton® 200° F
- 3/4" to 1-1/2" NPT Suction Ports
- 1/2" to 1-1/4" NPT Discharge Ports
- Maximum Working Pressure:
  - General Service 75 PSI
  - High Head 150 PSI
- Self-cleaning Impeller on General Service Models
- Maximum Flow 118 GPM
- Maximum Head 148 Ft.
- Epoxy Coated Pedestal Drive and Discharge Port Rotates in 90° Increments on High Head Models
- QSP – Quick Ship Pump for Many Models