

Please read and save this Repair Parts Manual. Read this manual and the General Operating Instructions carefully before attempting to assemble, install, operate or maintain the product described. Protect yourself and others by observing all safety information. The Safety Instructions are contained in the General Operating Instructions. Failure to comply with the safety instructions accompanying this product could result in personal injury and/or property damage! Retain instructions for future reference.

3/4-Inch Industrial Coolant Pumps

Refer to form 1808-634-00 for General Operating and Safety Instructions.

Description

These coolant/recirculating pumps are heavy-duty industrial units suitable for a variety of applications involving evaporation coolers, fountains, laboratories, bilge pumping, etc. Each pump is constructed using cast iron column and base parts and stainless steel impeller, shaft and hardware. All units are manual models, no controls are supplied.

NOTE: These pumps are for use with nonflammable liquids compatible with pump component materials. The motor on these pumps is not intended to be submersed in liquid.

Specifications

Motor 1/8 HP, Totally Enclosed Fan Cooled, 1725 RPM

Power supply:

4410-95 . . . 115/230VAC, 60Hz (1 phase)

4411-95. . . . 230 VAC, 60 Hz (3 phase)

NOTE: Driver data is subject to change without notice, see label on driver for actual specifications.

Liquid temp. . . 40° to 200°F (4° to 93 ° C)

Max. liquid viscosity 500 SSU

Discharge outlet. 3/4" NPT

Pump construction. Cast iron

Impeller material Stainless steel

Weight 15 lbs.

Performance Charts

Outlet Piping	GPM of Water at Total Head in Feet			Shut**
	3 ft	6 ft	8 ft	
3/4 NPT	14	11	6	12 ft

Outlet Piping	GPM of 500 SSU Liquid at Total Head in Feet			Shut**
	3 ft	6 ft	8 ft	
3/4 NPT	8	6	5	10 ft

(**) To convert to psi, multiply by specific gravity and divide by 2.31.

Operation

1. Liquid level should always be below opening located in top of column. Motor is NOT submersible.

2. Activate unit. No controls are supplied with this unit. Dry running will not harm pump or motor.

Maintenance

WARNING Make certain that the unit is disconnected from the power source before attempting to service or remove any component! Failure to do so could result in electrical shock.

Dimensions (Inches)

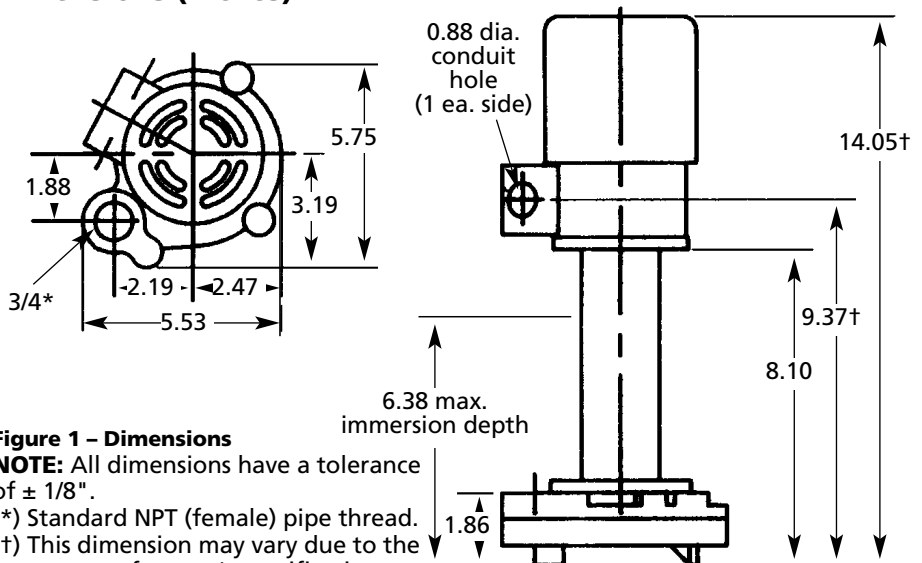


Figure 1 – Dimensions
NOTE: All dimensions have a tolerance of ± 1/8".
 (*) Standard NPT (female) pipe thread.
 (†) This dimension may vary due to the motor manufacturer's specifications.

IMPELLER/MOTOR REPAIR PROCEDURE

1. Remove pump assembly from tank or reservoir.
2. Remove base volute housing (Ref. No. 12), and gasket (Ref. No. 11) by removing four hex head cap screws (Ref. No. 7).
3. Remove impeller (Ref. No. 9) from motor shaft (Ref. No. 1) by loosening set screw (Ref. No. 10) in hub of impeller. This is accessible through opening between column (Ref. No. 4) and cover plate (Ref. No. 8).
4. Remove motor by removing four hex nuts (Ref. No. 3) and lift motor and shaft from column.
5. Reassemble in reverse order using a new gasket between base volute and cover plate.

NOTE: A proper running clearance is 0.020" between impeller and cover plate.

For Repair Parts, contact dealer where pump was purchased.

Please provide following information:

- Model number
- Serial number (if any)
- Part description and number as shown in parts list

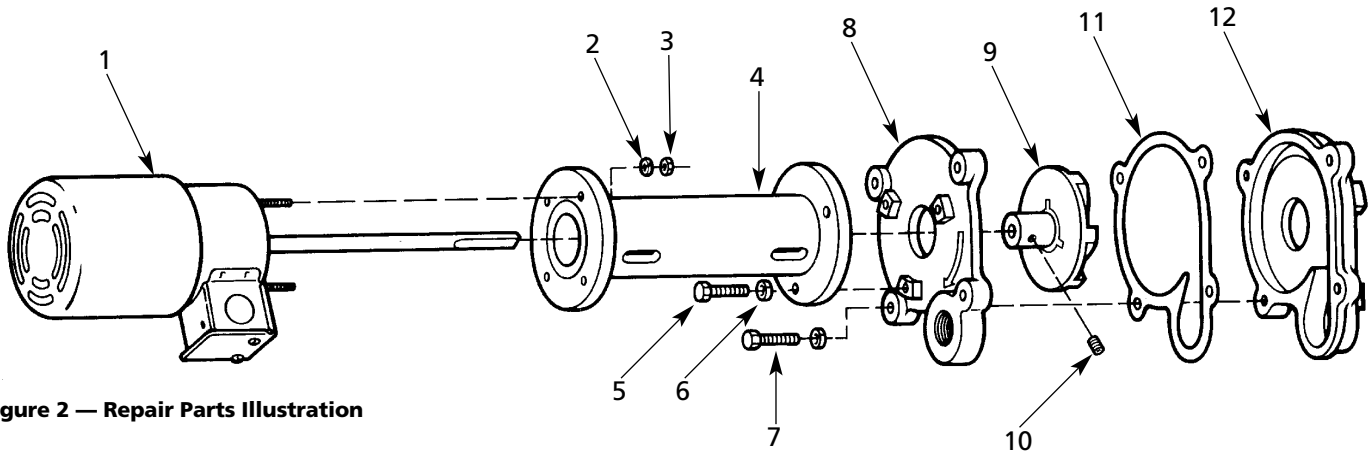


Figure 2 — Repair Parts Illustration

Repair Parts List

Reference Number	Description	Part Number	Quantity
1	Motor (4410-95)	1626-007-00	1
	Motor (4411-95)	1626-019-00	
2	#10 Ext tooth lock wash	1787-002-00	4
3	#10-32 UNF Hex nut	1772-010-00	4
4	Column	4410-030-09	1
5	1/4\"-20 UNC x 7/8\" Hex cap screw	1718-001-00	3
6	1/4\" Split lock washer	1788-001-00	7
7	1/4\"-20 UNC x 1\" Hex cap screw	1719-001-00	4
8	Volute cover	4410-020-09	1
9	Impeller	4410-011-09	1
10	1/4\"-20 UNC x 1/4\" Socket set screw	1711-010-00	1
11	Gasket	4410-300-00	1
12	Volute base	4410-001-09	1