



1" Self-Priming Stainless Steel Centrifugal Pumps

- **Investment Cast 316 Stainless Steel Construction**
- **Viton® Mechanical Seal and O-Ring**
- **Handles Liquids and Chemicals with Specific Gravities up to 1.6**
- **1" NPT Suction and Discharge Ports**
- **Maximum Working Pressure 75 PSI**
- **Maximum Temperature 200° F**
- **Maximum Flow 66 GPM**
- **Maximum Head 68 Ft.**
- **Self-priming to 6 Ft.**
- **Self-cleaning, Semi-open Impellers**
- **Available with Open Drip Proof (ODP) or Totally Enclosed Fan Cooled (TEFC) Motor**
- **1/3 to 2 HP Single or Three Phase Motor**

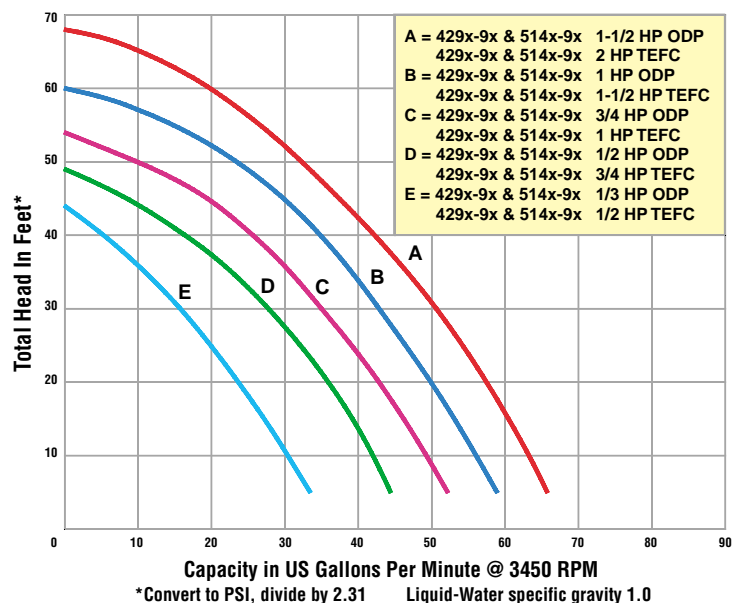
AMT 316 Stainless Steel Transfer pumps are designed to handle liquids and chemicals with specific gravities to 1.6. The pumps are particularly well suited to applications involving perchloroethylene (PCE) and are recommended for use with nonflammable liquids. These pumps are fitted with Viton® mechanical seal and O-ring. Self-priming to 6 feet.

AMT Stainless Steel Transfer pumps are reliable, cost effective and low maintenance. Many are readily available "Off-the-Shelf" for fast, same day shipment. For use with nonflammable liquids compatible with pump component materials.

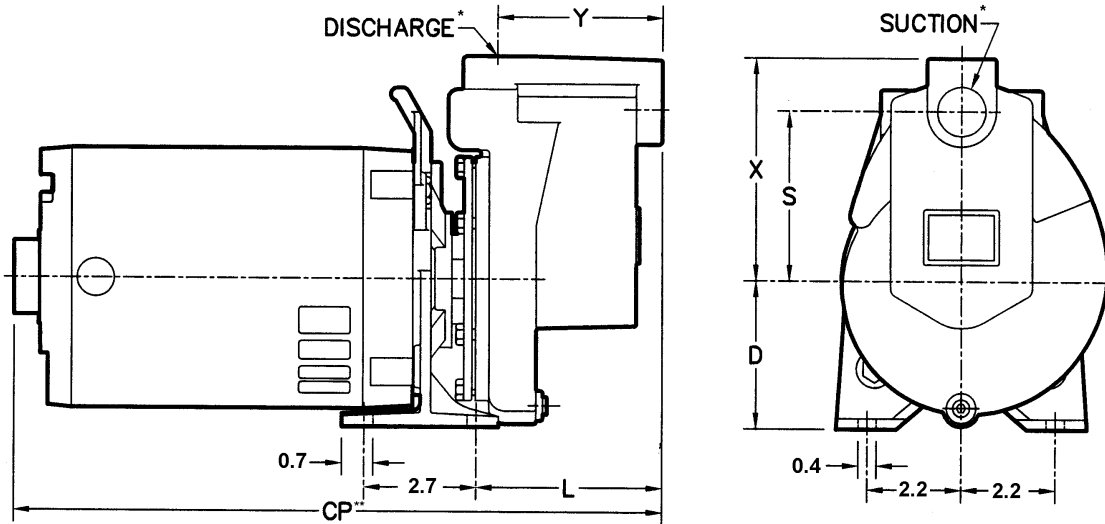


Model 429A-98

Performance of Stainless Steel Pumps



1" Self-Priming Stainless Steel Centrifugal Pump



Pump Dimensional & Specification Data

Model No.	HP	PH	ENC	Voltage @ 60 Hz+	Full Load Amps	SUC*	DIS*	CP**	D	L	S	X	Y	Ship Wt.
4294-98	1/3	1	ODP	115/230	8 / 4	1"	1"	14.1	3.5	4.4	4.0	5.2	3.9	34 Lbs.
4295-98	1/2	1	ODP	115/230	10 / 5	1"	1"	14.1	3.5	4.4	4.0	5.2	3.9	38 Lbs.
4296-98	3/4	1	ODP	115/230	13 / 7	1"	1"	14.6	3.5	4.4	4.0	5.2	3.9	39 Lbs.
4297-98	1	1	ODP	115/230	17 / 9	1"	1"	15.1	3.5	4.4	4.0	5.2	3.9	42 Lbs.
4298-98	1-1/2	1	ODP	115/230	22 / 11	1"	1"	15.4	3.5	4.4	4.0	5.2	3.9	45 Lbs.
5141-98	1/2	3	ODP	230/460	4 / 2	1"	1"	14.6	3.5	4.4	4.0	5.2	3.9	35 Lbs.
5142-98	3/4	3	ODP	230/460	4 / 2	1"	1"	14.8	3.5	4.4	4.0	5.2	3.9	36 Lbs.
5143-98	1	3	ODP	230/460	5 / 3	1"	1"	15.2	3.5	4.4	4.0	5.2	3.9	39 Lbs.
5144-98	1-1/2	3	ODP	230/460	7 / 4	1"	1"	15.7	3.5	4.4	4.0	5.2	3.9	45 Lbs.
429A-98	1/2	1	TEFC	115/230	9 / 5	1"	1"	15.5	3.5	4.4	4.0	5.2	3.9	41 Lbs.
429B-98	3/4	1	TEFC	115/230	9 / 5	1"	1"	16.0	3.5	4.4	4.0	5.2	3.9	43 Lbs.
429C-98	1	1	TEFC	115/230	12 / 6	1"	1"	16.4	3.5	4.4	4.0	5.2	3.9	46 Lbs.
429D-98	1-1/2	1	TEFC	115/230	18 / 9	1"	1"	17.3	3.5	4.4	4.0	5.2	3.9	54 Lbs.
429E-98	2	1	TEFC	115/230	22 / 11	1"	1"	17.6	3.5	4.4	4.0	5.2	3.9	65 Lbs.
514A-98	3/4	3	TEFC	230/460	3 / 2	1"	1"	15.4	3.5	4.4	4.0	5.2	3.9	40 Lbs.
514B-98	1	3	TEFC	230/460	4 / 2	1"	1"	16.0	3.5	4.4	4.0	5.2	3.9	43 Lbs.
514C-98	1-1/2	3	TEFC	230/460	5 / 3	1"	1"	16.4	3.5	4.4	4.0	5.2	3.9	51 Lbs.
514D-98	2	3	TEFC	230/460	6 / 3	1"	1"	16.5	3.5	4.4	4.0	5.2	3.9	62 Lbs.

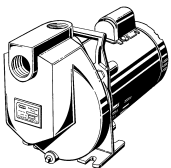
(*) Standard NPT (female) pipe thread.

(**) This dimension may vary due to motor manufacturer's specifications.

(+) 3-Phase models can also operate on 50 Hz (This will change Full Load Amps and Service Factor, RPM and Priming Capabilities).

NOTE: Dimensions have a tolerance of $\pm 1/8"$.

NOTE: Electric supply for ALL motors must be within $\pm 10\%$ of nameplate voltage rating (e.g. 230V $\pm 10\%$ = 207 to 253).



American Machine & Tool Co.

400 Spring Street
 Royersford, PA 19468
 (610) 948-3800 Fax (610) 948-5300
 E-mail: amt@fast.net
 www.amtpump.com

Standard Features

- ▶ Investment Cast 316 Stainless Steel Construction
- ▶ Viton® Mechanical Seal and O-Ring
- ▶ ODP & TEFC Single and Three Phase Motors
- ▶ Self-cleaning, Semi-open Impeller
- ▶ Maximum Working Pressure 75 PSI
- ▶ Maximum Temperature 200° F
- ▶ "Off-the-Shelf" Availability for Many Models