

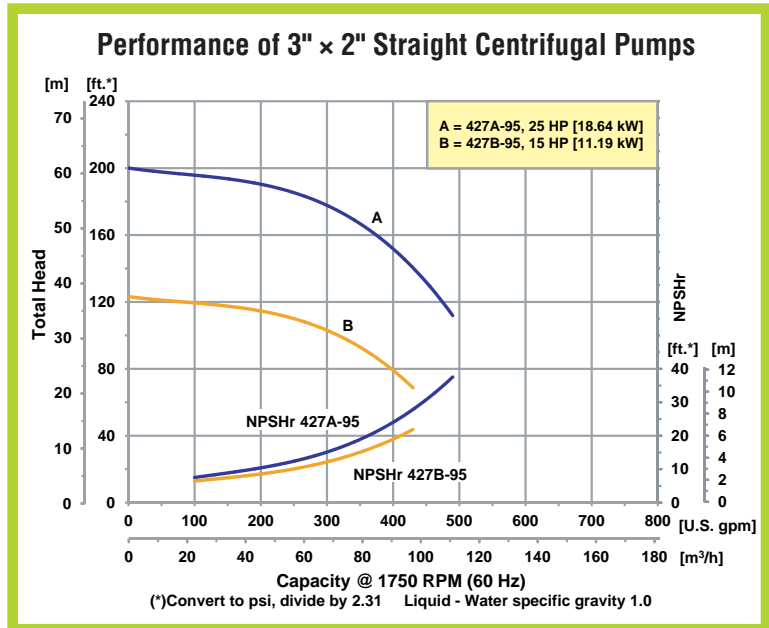
1750 RPM Straight Centrifugal Pumps

Model 427B-95

- **Cast Iron Construction**
- **Silicon Bronze Precision Cast Dynamically Balanced Impeller**
- **Viton® Silicon Carbide/Carbon Mechanical Seal**
- **Bronze Case Wear Ring**
- **3" x 2" 125 Lb. 4-Bolt Flanged Ports**
- **Pull-From-Rear Design Permits Easy Servicing Without Disturbing Piping**
- **1/4" NPT Gauge Taps on Suction & Discharge Ports For System Monitoring**
- **Bronze Shaft Sleeve to Protect Motor Shaft**
- **Maximum Casing Pressure 175 PSI**
- **Maximum Temperature 200° F**
- **Includes Seal Flush/Air Relief Valve**
- **Front Drain Plugs**
- **TEFC JM NEMA Frame IE2/EPAC Energy Efficient Motors**



The AMT Cast Iron 1750 RPM Solids Handling End Suction Centrifugal pump delivers high efficiency performance that minimizes operation and energy costs. Built to last, each pump features a precision cast bronze impeller that is dynamically balanced to minimize vibration and maximize motor bearing life. Pull-from-rear design simplifies maintenance without disturbing piping connection. Gauge taps at the suction and discharge ports allow for system monitoring. Maximum 1/4" diameter solids handling and optional seal flush/air relief valve is available for vertical installations. **Pumps require a flooded suction and positive suction pressure.**



400 Spring Street • Royersford, PA 19468 USA

www.amtpump.com • 888-amt-pump (268-7867)

For use with nonflammable liquids compatible with pump component materials. Viton® and Teflon® are registered trademarks of E. I. DuPont.

Pump Dimensional & Specification Data

| Model# | Curve | HP | PH | Frame | ENC | Voltage @ 60 Hz + | Full Load Amps | SUC* | DIS* | A** | B | C | D | E | F | G | J | L** | W** | H | Ship Wt. (Lbs.) |
|---------|-------|----|----|-------|------|-------------------|----------------|------|------|-------------|------------|-------------|------------|------------|------------|------------|-------------|-------------|-------------|-------------|-----------------|
| 427B-95 | A | 15 | 3 | 254JM | TEFC | 208-230/460 | 41/19 | 3* | 2* | 10.0 [25.6] | 6.2 [15.9] | 14.0 [35.6] | 7.6 [19.4] | 4.5 [11.4] | 8.2 [21.0] | 6.5 [16.5] | 10.0 [25.4] | 30.5 [77.6] | 21.0 [53.3] | 15.6 [39.6] | 345 |
| 427A-95 | B | 25 | 3 | 284JM | TEFC | 208-230/460 | 67/30 | 3* | 2* | 10.8 [27.6] | 7.0 [17.8] | 14.5 [36.8] | 8.7 [22.2] | 4.5 [11.4] | 9.5 [24.1] | 8.0 [20.3] | 11.0 [27.9] | 31.7 [80.6] | 23.0 [58.4] | 17.0 [43.1] | 525 |

(*) Standard NPT (Female) pipe thread.

Maximum Solids Handling Capacity: 1/4" Diameter

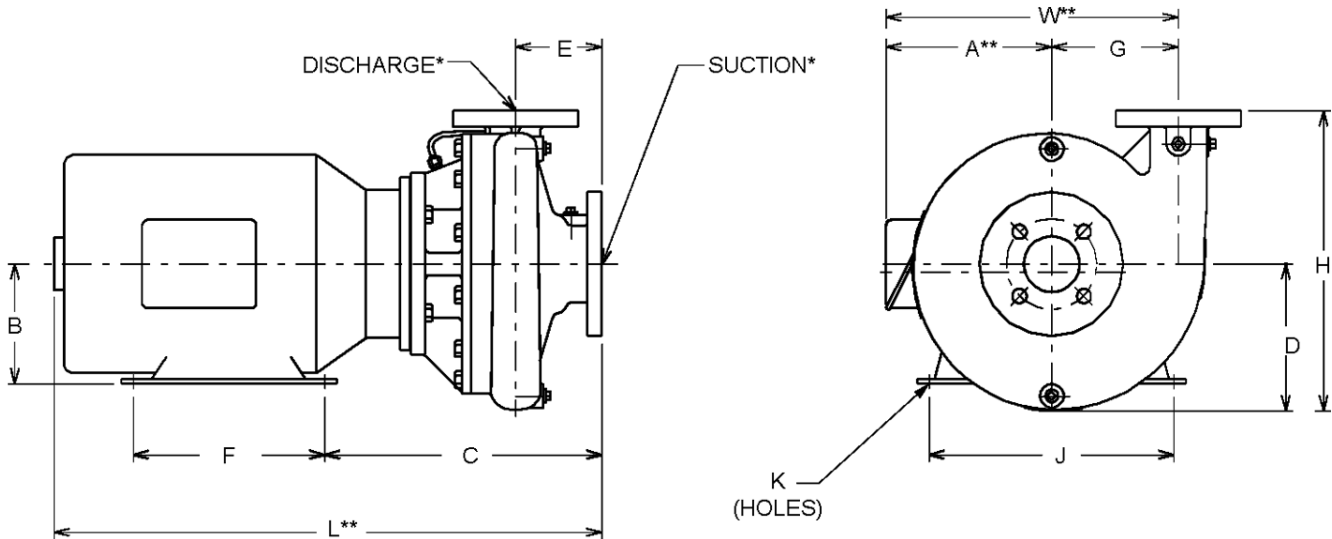
(**) This dimension may vary due to motor manufacturer's specifications.

♦ Standard 125# Flange

(+) 3-Phase motors can also operate on 50 Hz. (This will change full load amps, service factor and RPM)

NOTE: Dimensions are in inches (centimeters) and have a tolerance of ± 1/4".

NOTE: Electric supply for **ALL** motors must be within ±10% of nameplate voltage rating (e.g. 230V ±10%= 207 to 253).



Standard Features

- Cast Iron Construction
- Viton® Silicon Carbide/Carbon Mechanical Seal
- Silicon Bronze Precision Cast Dynamically Balanced Impeller
- Bronze Case Wear Ring
- 3" x 2" 125 Lb. 4-Bolt Flanged Ports
- 1/4" NPT Gauge Taps on Suction & Discharge Ports for System Monitoring
- Bronze Shaft Sleeve to Protect Motor Shaft
- Maximum Casing Pressure 175 PSI
- Maximum Temperature 200° F
- Includes Seal Flush/Air Relief Valve
- Front Drain Plugs
- 1750 RPM TEFC JM NEMA Frame IE2/EPAC Energy Efficient Motors