



3/8" Bronze Coolant Recirculating Pump

- **Cast Bronze Construction**
- **No Bottom Bearing!!!**
- **Brass Column and Impeller Shaft**
- **Bronze Self-cleaning Open Impeller**
- **3/8" NPT Discharge Port**
- **Fiber Gasket**
- **Maximum Temperature 200° F**
- **Maximum Flow 8 GPM**
- **Maximum Head 10 Ft.**
- **Available with 115VAC Single Phase or 230VAC Three Phase Motors, 1590 RPM**
- **1/25 HP Totally Enclosed Fan Cooled (TEFC) Motor**

The AMT Bronze Coolant/Recirculating pump has been manufactured for a wide variety of Industrial/Commercial Coolant and Recirculating applications. The absence of a bottom bearing makes the unit ideal for handling erosive liquids. A 36" 3-conductor power cord is included.

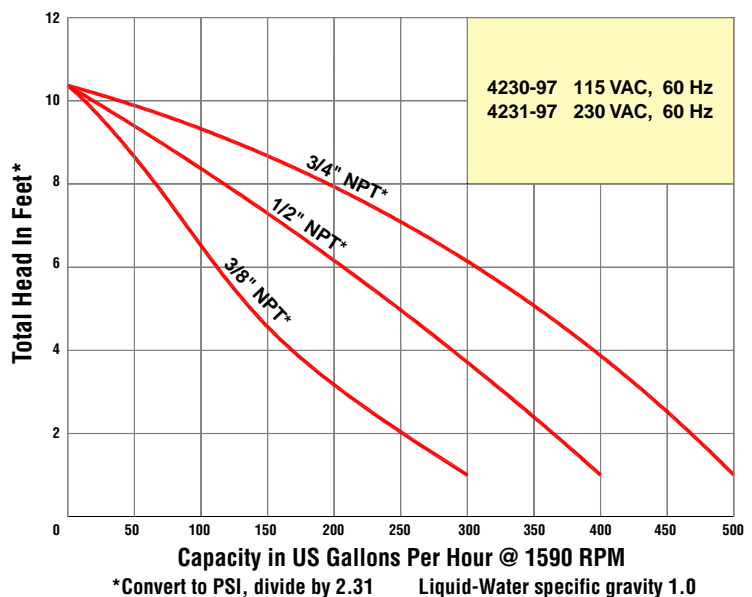
NOTE: The motor on this pump is not intended to be submerged in liquid. The liquid level should always be at least 2" below motor bottom. (Maximum depth of liquid is 6")

AMT Bronze Coolant/Recirculating pumps are reliable, cost effective and low maintenance. Many are readily available "Off-the-Shelf" for fast, same day shipment. For use with nonflammable liquids compatible with pump component materials.

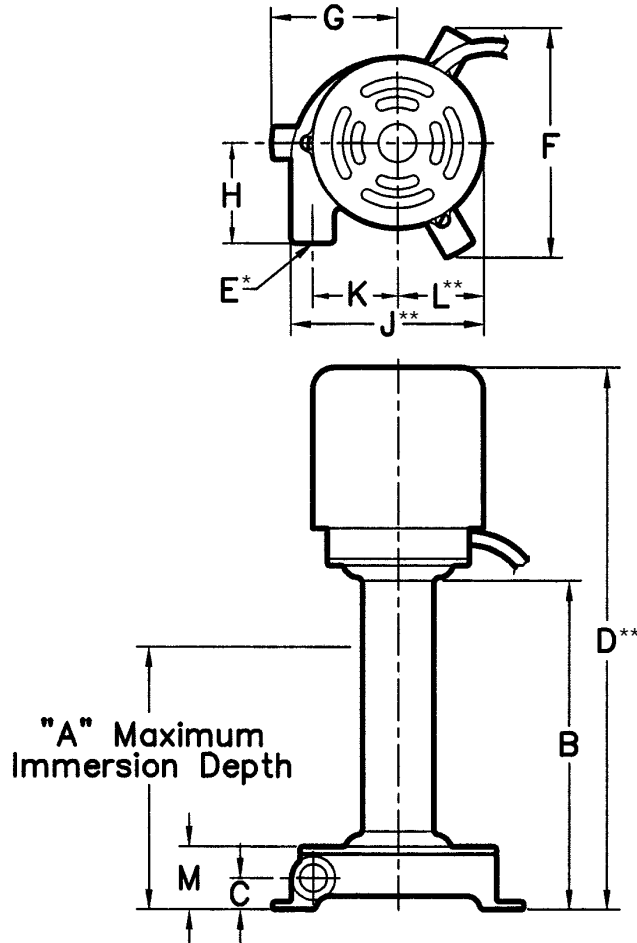
Model 4230-97



Performance of Coolant/Recirculating Pumps



3/8" Bronze Coolant / Recirculating Pump



Pump Dimensional & Specification Data

Model No.	HP	PH	ENC	Voltage @ 60 Hz	Full Load Amps	A	B	C	D**	E*	F	G	H	J**	K	L**	M	Ship Wt.
4230-97	1/25	1	TEFC	115 VAC	1.50	6.0	7.5	0.7	12.4	3/8"	5.3	2.9	2.3	4.4	1.9	2.0	1.4	9 Lbs.
4231-97	1/25	1	TEFC	230VAC	0.75	6.0	7.5	0.7	12.4	3/8"	5.3	2.9	2.3	4.4	1.9	2.0	1.4	9 Lbs.

(*) Standard NPT (female) pipe thread.

(**) This dimension may vary due to motor manufacturer's specifications.

NOTE: Dimensions have a tolerance of $\pm 1/8"$.

NOTE: Electric supply for ALL motors must be within $\pm 10\%$ of nameplate voltage rating (e.g. 230V $\pm 10\%$ = 207 to 253).

Standard Features

- > Cast Bronze Construction
- > **No Bottom Bearing!!!**
- > Brass Column and Impeller Shaft
- > Bronze Self-cleaning Open Impeller
- > 3/8" NPT Discharge Port
- > Fiber Gasket
- > Available with 115VAC Single Phase or 230VAC 3-Phase Motors
- > 1/25 HP Totally Enclosed Fan Cooled (TEFC) Motor



400 Spring Street
 Royersford, PA 19468
 (610) 948-3800 Fax (610) 948-5300
 E-mail: amt@fast.net
 www.amtpump.com