

3/8" Bronze Coolant Recirculating Pump

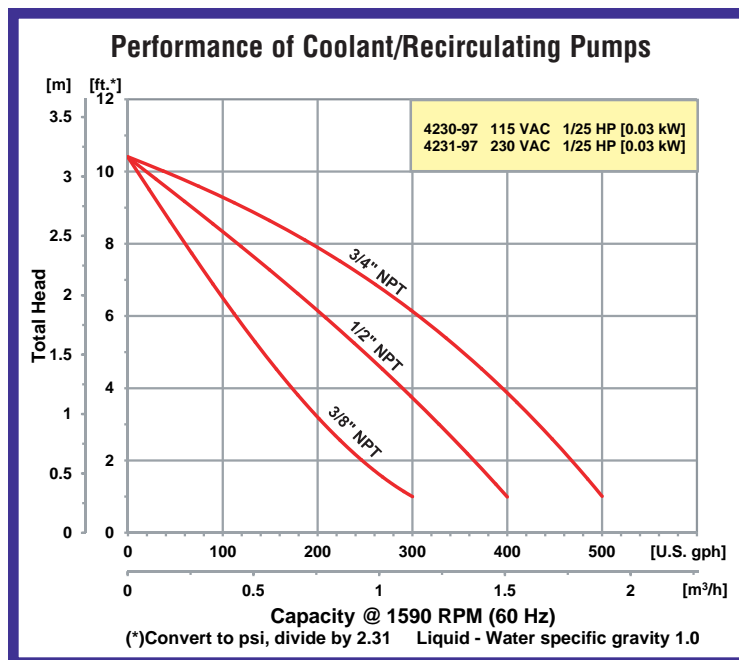
- **Cast Bronze Construction**
- **No Bottom Bearing!!!**
- **Brass Column and Impeller Shaft**
- **Bronze Self-Cleaning Open Impeller**
- **3/8" NPT Discharge Port**
- **Fiber Gasket**
- **Maximum Temperature 200° F**
- **Maximum Flow 8 GPM**
- **Maximum Head 10 Ft.**
- **Available with 115 VAC Single Phase or 230 VAC Single Phase Motors, 1590 RPM**
- **1/25 HP Totally Enclosed Fan Cooled (TEFC) Motor**



Model 4230-97

The AMT Bronze Coolant/Recirculating pump has been manufactured for a wide variety of Industrial/Commercial Coolant and Recirculating applications. The absence of a bottom bearing makes the unit ideal for handling erosive liquids. A 36" 3-conductor power cord is included.

NOTE: The motor on this pump is not intended to be submerged in liquid. The liquid level should always be at least 2" below motor bottom. (Maximum depth of liquid is 6".)

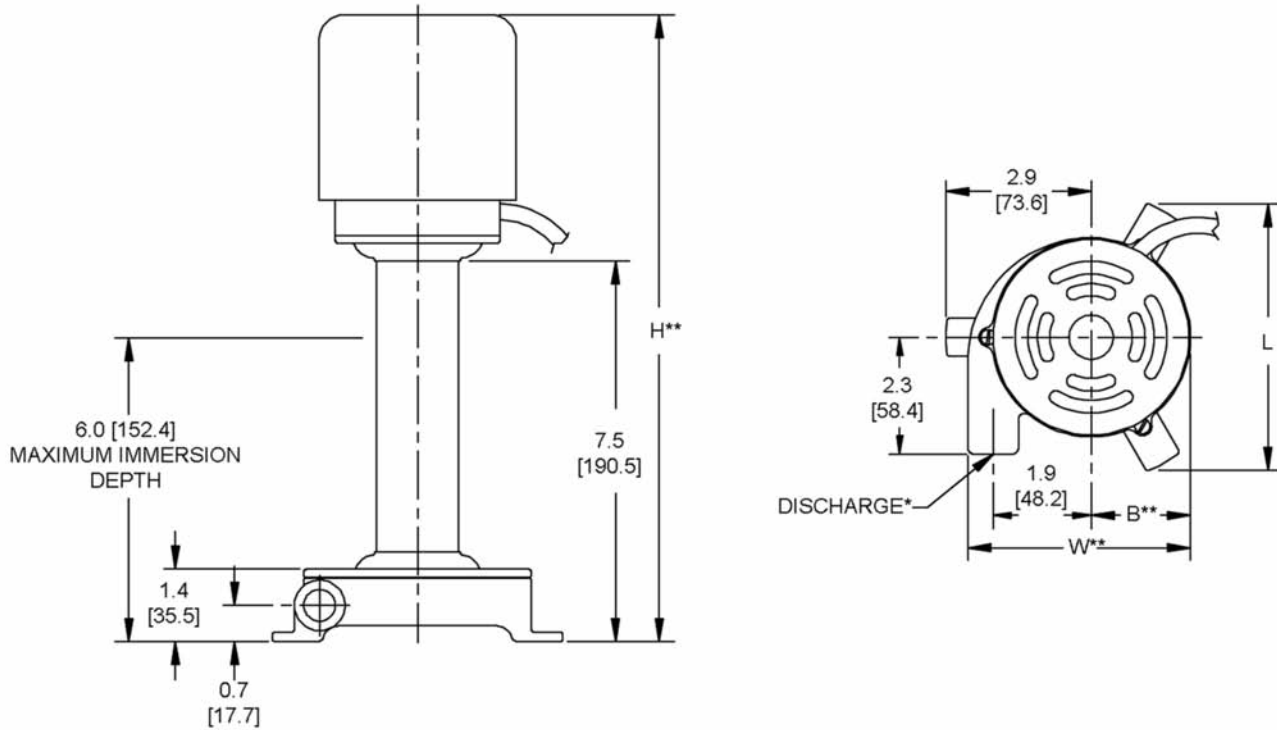


400 Spring Street • Royersford, PA 19468 USA

www.amtpump.com • 888-amt-pump (268-7867)

For use with nonflammable liquids compatible with pump component materials.

Pump Dimensional & Specification Data



| Model | HP | PH | ENC | Voltage @ 60 Hz | Full Load Amps | DIS* | A | B** | L | W** | H** | Ship Wt. (Lbs.) |
|---------|------|----|------|-----------------|----------------|------|-------------|------------|-------------|-------------|--------------|-----------------|
| 4230-97 | 1/25 | 1 | TEFC | 115 | 1.50 | 3/8 | 6.0 [152.4] | 2.0 [50.8] | 5.3 [134.6] | 4.4 [111.7] | 12.4 [314.9] | 9 |
| 4231-97 | 1/25 | 1 | TEFC | 230 | 0.75 | | | | | | | |

(*) Standard NPT (female) pipe thread.

(**) This dimension may vary due to motor manufacturer's specifications.

NOTE: Dimensions are in inches (millimeters) and have a tolerance of $\pm 1/8"$.

NOTE: Electric supply for ALL motors must be within $\pm 10\%$ of nameplate voltage rating (e.g. 230V $\pm 10\%$ = 207 to 253).

Standard Features

- Cast Bronze Construction
- **No Bottom Bearing!!!**
- Brass Column and Impeller Shaft
- Bronze Self-cleaning Open Impeller
- 3/8" NPT Discharge Port
- Fiber Gasket
- Available with 115 VAC or 230 VAC Single Phase Motors
- 1/25 HP Totally Enclosed Fan Cooled (TEFC) Motor
- QSP – Quick Ship Pumps

Maximum Recommended Viscosity: 900 SSU