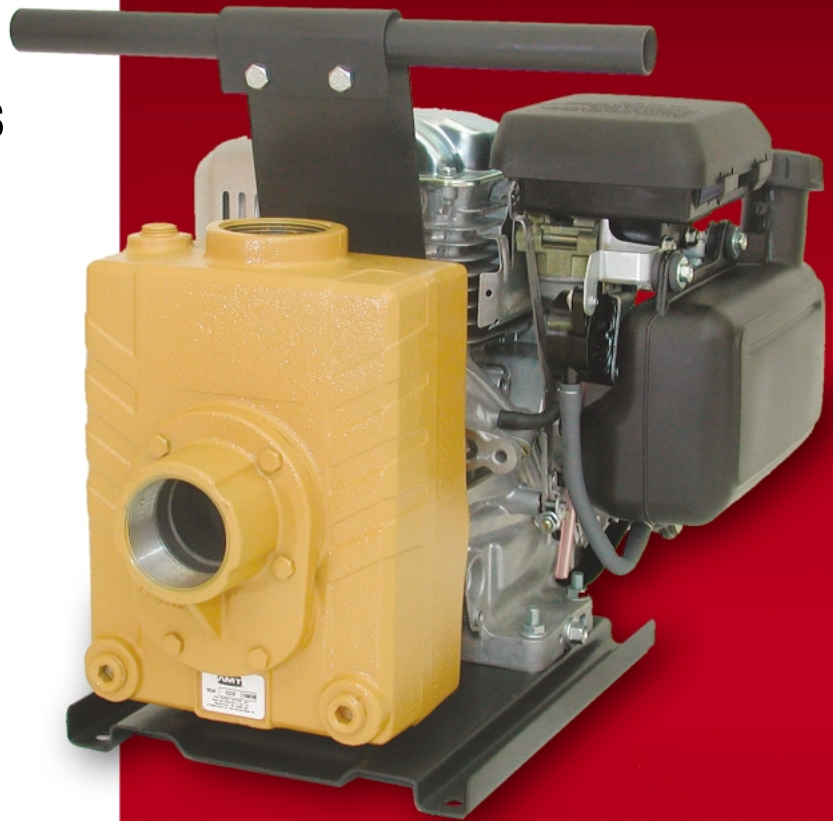




**NEW
BUILT-IN
CHECK VALVE
ON CAST IRON
PUMPS**

2" Engine Driven AG/Dewatering Pumps

- **Cast Iron or Thermoplastic Construction**
- **Buna or Viton® Mechanical Seal**
- See Spec Chart for Specific Model
- **Optional Seals Available**
(See Price Sheet for Specific Model Options)
- **2" NPT Port Sizes**
- **Self-Priming up to 20 ft.**
- **Semi-Open, Clog Resistant Impellers**
- **Engine Options: Honda and Briggs & Stratton**
- **Pumps Include Carrying Handle**
- **Heavy Duty Steel Base on Cast Iron Models**
- **Built in Flapper/Check Valve**



2" Dewatering Pump (Cast Iron)



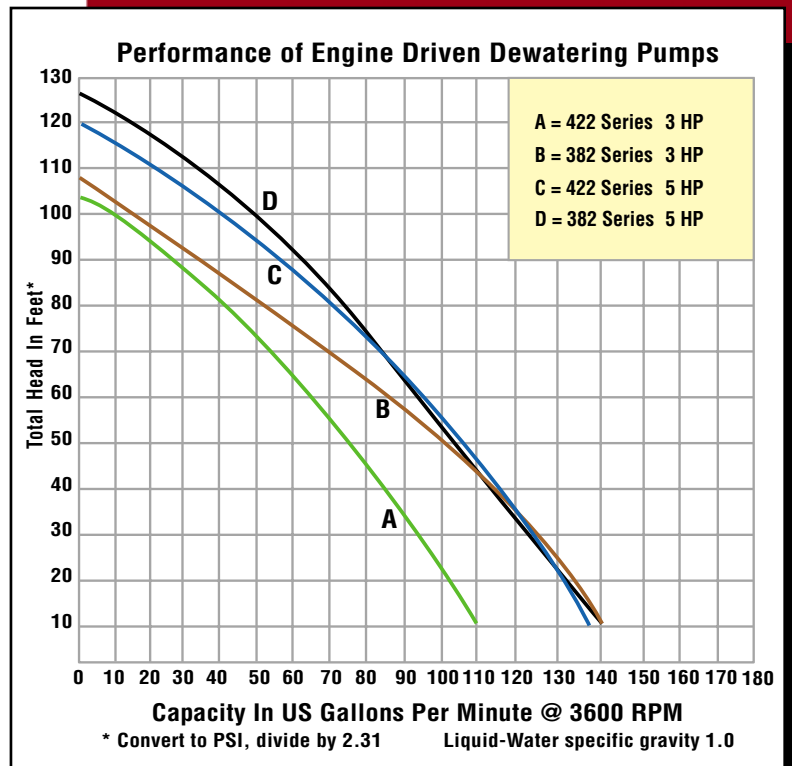
2" Thermoplastic Pump

The AMT line of Engine Driven Dewatering pumps offers economy, durability, portability and performance all in one neat package. Ideal for general purpose dewatering, irrigation, spraying, washdown and agricultural applications. Cast Iron pumps feature dual volute design that reduces radial load on engine. Built in flapper/check valves enable constant self-priming to 20 ft. Pump construction materials range from Cast Iron to corrosion resistant thermoplastic components featuring removable/replaceable volutes, impellers and wearplates. Pumps are available with Briggs & Stratton or Honda engines. Viton®, EPDM and Silicon Carbide mechanical seal options are available on specific models.

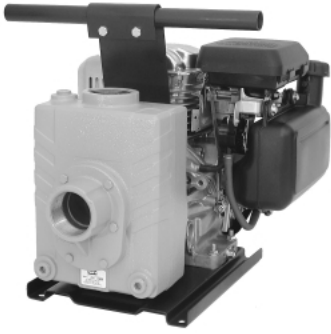
AMT Engine Driven Dewatering pumps are reliable, cost effective and low maintenance. Many are readily available "Off-the-Shelf" for fast 24 hour shipment. For use with non-flammable liquids which are compatible with pump component materials.

Viton® is a registered trademark of E.I. DuPont

INDUSTRIAL DUTY



2" Cast Iron AG/Dewatering Pumps



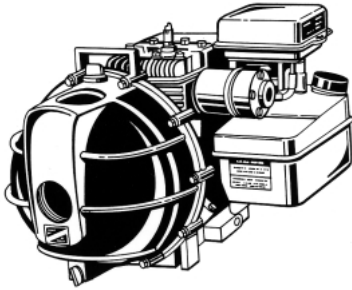
| Model# | Curve | Ports | Driver | Construction | Seal | Ship Wt. | Run Time | Tank size |
|---------|-------|--------|-------------|--------------|--------|----------|----------|-----------|
| 4222-95 | A | 2" NPT | B&S 525 | Cast Iron | Buna | 65 | 180 min. | 3 qt. |
| 4222-V5 | A | 2" NPT | B&S 525 | Cast Iron | Viton® | 65 | 180 min. | 3 qt. |
| 4223-95 | C | 2" NPT | B&S CP650 | Cast Iron | Buna | 76 | 90 min. | 3 qt. |
| 4223-V5 | C | 2" NPT | B&S CP650 | Cast Iron | Viton® | 76 | 90 min. | 3 qt. |
| 4225-95 | C | 2" NPT | HONDA GC160 | Cast Iron | Buna | 70 | 60 min. | 1.8 qt. |
| 4225-V5 | C | 2" NPT | HONDA GC160 | Cast Iron | Viton® | 70 | 60 min. | 1.8 qt. |

Maximum Solids Handling Capability: 3/8" Diameter

Standard Features

- Two NPT Pipe Nipples
- Buna-N Mechanical Seal
- Optional Viton® or Silicon Carbide Mechanical Seals
- Built in flapper/check valve
- Fiber Gasket Casing Seal
- Self-primes to 20 ft.
- Semi-Open, Clog Resistant Impeller
- Stainless Steel Shaft Sleeve
- Maximum Temperature 180° F
- Maximum Working Pressure 60 PSI
- Delivers up to 52 PSI and 8400 GPH (Maximum)
- Dual Volute Design

2" Thermoplastic AG/Dewatering Pumps

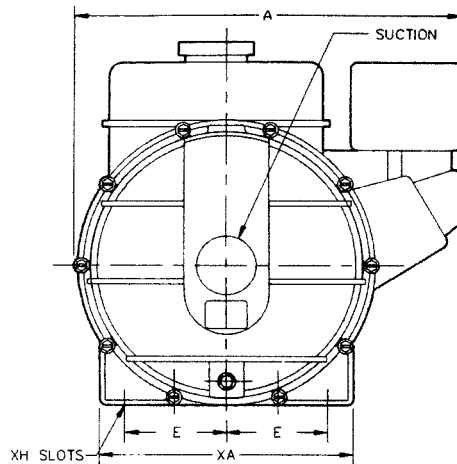
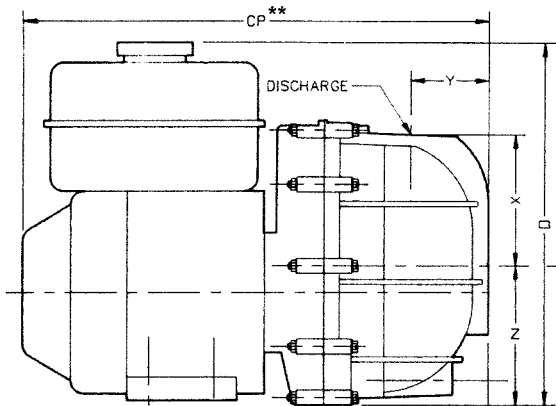


| Model# | Curve | Ports | Driver | Construction | Seal | Ship Wt. | Run Time | Tank size |
|---------|-------|--------|-------------|---------------|------|----------|----------|-----------|
| 3824-99 | B | 2" NPT | B&S 525 | Polypropylene | Buna | 38 | 180 min. | 3 qt. |
| 3825-99 | D | 2" NPT | B&S CP550 | Polypropylene | Buna | 43 | 90 min. | 3 qt. |
| 382A-99 | D | 2" NPT | HONDA GC160 | Polypropylene | Buna | 45 | 60 min. | 1.8 qt. |

Maximum Solids Handling Capability: 7/16" Diameter

Standard Features

- Two NPT Pipe Nipples
- Buna-N Mechanical Seal and Flapper Valve
- Optimal EPDM Mechanical Seal Available 1000-999-E0
- O-Ring Casing Seal
- Self-primes to 20 ft. with Built in Check Valve
- Replaceable Volute
- Maximum Temperature 130° F
- Maximum Working Pressure 60 PSI
- Delivers up to 54 PSI and 8460 GPH (Maximum)



| MODEL# | HP CLASS++ | A | XA | CP** | E | XH | O | X | Y | Z |
|-------------|------------|------|-----|------|-----|-----------|------|-----|-----|-----|
| 3824-99 | 3.5 | 16.5 | 7.3 | 17.8 | 3.6 | .44 X .64 | 13.2 | 4.8 | 2.8 | 5.5 |
| 3825-99 | 5.5 | 16.5 | 7.3 | 17.8 | 3.6 | .44 X .64 | 13.2 | 4.8 | 2.8 | 5.5 |
| 382A-99 | 5.0 | 16.5 | 7.3 | 17.8 | 3.6 | .44 X .64 | 13.2 | 4.8 | 2.8 | 5.5 |
| 4222 Series | 3.5 | 17.4 | 8.4 | 17.6 | 4.2 | .40 X .40 | 16.1 | 6.8 | 4.4 | 4.9 |
| 4223 Series | 5.5 | 17.4 | 8.4 | 17.6 | 4.2 | .40 X .40 | 16.1 | 6.8 | 4.4 | 4.9 |

(++) HP Class represents market category and is not intended to define actual horsepower Viton® is a registered trademark of E.I. DuPont
 (*) Standard NPT (female) pipe thread.
 (**) This dimension may vary due to engine manufacturer's specifications.
 NOTE: Dimensions have a tolerance of ±1/8".