

# Industrial/Commercial Sump Pumps

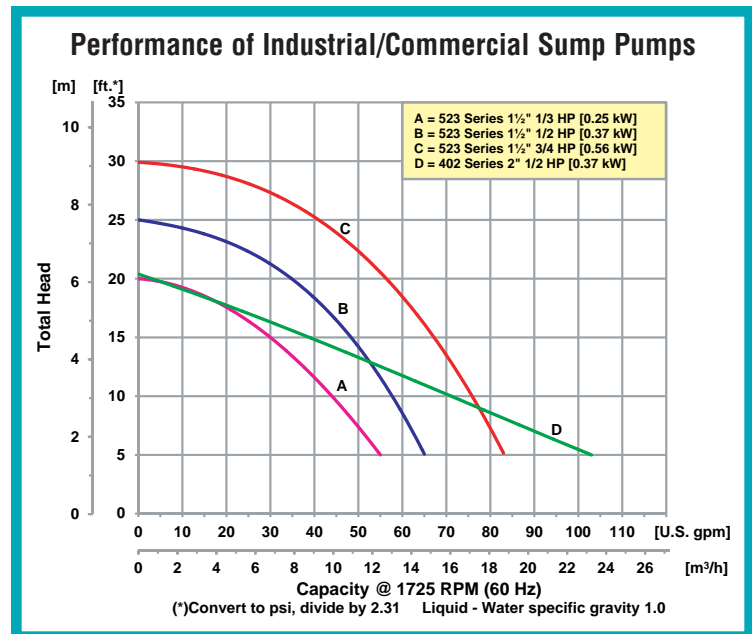


Stainless Steel  
TEFC Model  
Sump Pump



- **Stainless Steel, Bronze and Cast Iron Construction**
- **Stainless Steel Shaft & Float**
- **Carbon Bearings**
- **29" to 44" Column Height**
- **1-1/2" or 2" NPT Discharge**
- **Maximum Head 30 Ft.**
- **Maximum Flow 103 GPM**
- **Semi-Open, Clog Resistant Impellers**
- **Available with Totally Enclosed Fan Cooled (TEFC) 1/3, 1/2 and 3/4 HP 115 VAC, Single Phase Motors**

The AMT line of Industrial/Commercial Sump pumps is designed for heavy duty commercial applications, as well as residential use where a combination of durability and high performance is required. AMT Sump pumps are available in stainless steel, bronze and cast iron constructions with TEFC motors in 1/3 through 3/4 HP for proper pump selection in most applications. All models include stainless steel shaft, screen and float. All motors are fitted with automatic switch and an 8 foot 16/3 115 VAC line cord. Pumps require minimum sump pit of 14" diameter and 24" depth.



400 Spring Street • Royersford, PA 19468 USA

[www.amtpump.com](http://www.amtpump.com) • 888-amt-pump (268-7867)

For use with nonflammable liquids compatible with pump component materials. Viton® is a registered trademark of E.I. DuPont.

## Pump Dimensional & Specification Data

| Model # | Curve | DIS*  | HP  | PH | ENC  | Voltage @ 60 Hz | Full Load Amps | Motor Frame | A          | B          | C          | D            | E          | F         | G            | J           | W           | H**          | ‡ Ship Wt. (Lbs.) |
|---------|-------|-------|-----|----|------|-----------------|----------------|-------------|------------|------------|------------|--------------|------------|-----------|--------------|-------------|-------------|--------------|-------------------|
| 5239    | A     | 1-1/2 | 1/3 | 1  | TEFC | 115             | 6              | 56C         | 8.5 [21.7] | 4.6 [11.8] | 4.2 [10.9] | 29.9 [75.9]  | 3.5 [8.9]  | 3.2 [8.1] | 50.7 [128.8] | 16.7 [42.5] | 11.0 [28.0] | 38.4 [97.7]  | 42                |
| 523C    | B     | 1-1/2 | 1/2 | 1  | TEFC | 115             | 9              | 56C         | 9.0 [22.9] | 4.6 [11.8] | 4.2 [10.9] | 29.9 [75.9]  | 3.5 [8.9]  | 3.2 [8.1] | 50.7 [128.8] | 16.7 [42.5] | 11.0 [28.0] | 39.9 [98.8]  | 43                |
| 523D    |       |       |     |    |      |                 |                |             | 9.0 [22.9] | 4.6 [11.8] | 4.2 [10.9] | 41.9 [106.4] | 3.5 [8.9]  | 3.2 [8.1] | 62.7 [159.3] | 28.7 [73.0] | 11.0 [28.0] | 50.9 [129.3] | 45                |
| 523F    | C     | 1-1/2 | 3/4 | 1  | TEFC | 115             | 12             | 56C         | 9.2 [23.4] | 4.6 [11.8] | 4.2 [10.9] | 29.9 [75.9]  | 3.5 [8.9]  | 3.2 [8.1] | 50.7 [128.8] | 16.7 [42.5] | 11.0 [28.0] | 39.1 [99.4]  | 47                |
| 4020+   | D     | 2     | 1/2 | 1  | TEFC | 115             | 9              | 56C         | 9.0 [22.9] | 5.5 [14.0] | 5.0 [12.8] | 30.9 [78.5]  | 4.5 [11.5] | 3.4 [8.8] | 51.7 [131.4] | 17.7 [45.1] | 12.6 [32.2] | 39.9 [101.4] | 51                |
| 4021+   |       |       |     |    |      |                 |                |             | 9.0 [22.9] | 5.5 [14.0] | 5.0 [12.8] | 30.9 [78.5]  | 4.5 [11.5] | 3.4 [8.8] | 51.7 [131.4] | 17.7 [45.1] | 12.6 [32.2] | 39.9 [101.4] | 50                |
| 4022+   |       |       |     |    |      |                 |                |             | 9.0 [22.9] | 5.5 [14.0] | 5.0 [12.8] | 42.9 [109.0] | 4.5 [11.5] | 3.4 [8.8] | 63.7 [161.9] | 17.7 [45.1] | 12.6 [32.2] | 51.9 [131.9] | 54                |

(\*) Standard NPT (female) pipe thread.

NOTE: Check Price Book for Specific Pump Construction/Material Availability.

(\*\*) This dimension may vary due to motor manufacturer's specifications.

NOTE: All dimensions are in inches (centimeters) and have a tolerance of ±1/8"

NOTE: Electric Supply for ALL motors must be within ± 10% of nameplate voltage (Ex: 230V = 203 to 253)

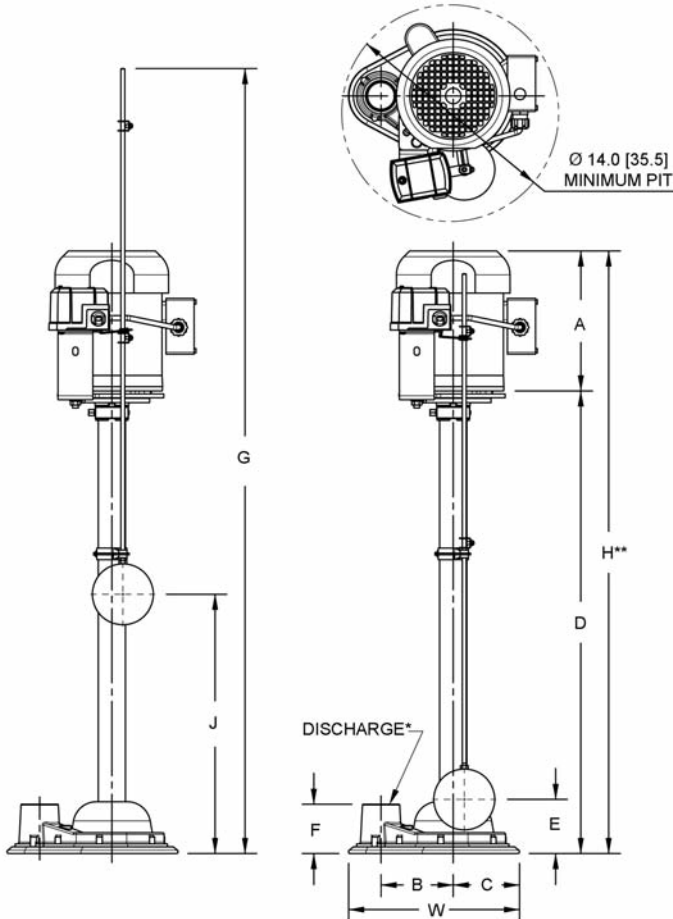
(+) Handles up to 3/4" Solids

### ‡ When Ordering Add the Correct-9? Suffix to Model Number Indicating Material Selection (Ex: 5239-95)

**XCI (-95) = Cast Iron Construction with Stainless Steel Impeller**

**XB (-97) = Cast Bronze Construction with Stainless Steel Impeller (Refer to Pricebook for Available Models)**

**XSS (-98) = Stainless Steel Construction with Stainless Steel Impeller (Refer to Pricebook for Available Models)**



## Standard Features

- Stainless Steel Screen and Float
- Semi-Open, Clog Resistant Impellers
- 1/3, 1/2 or 3/4 HP TEFC 115 VAC Single Phase 56C Frame Motors
- 8 Ft. 16/3 115 VAC Line Cord
- Maximum Head 30 ft.
- Maximum Flow 103 GPM
- Stainless Steel Shaft
- Carbon Bearings
- 29" to 44" Column Height
- Maximum Temperature 200° F
- Solids Handling Design up to 3/4" Diameter (25% Maximum Solids)
- QSP - Quick Ship Pumps