

# General Purpose, High Pressure & Trash Pedestal Drive Pumps

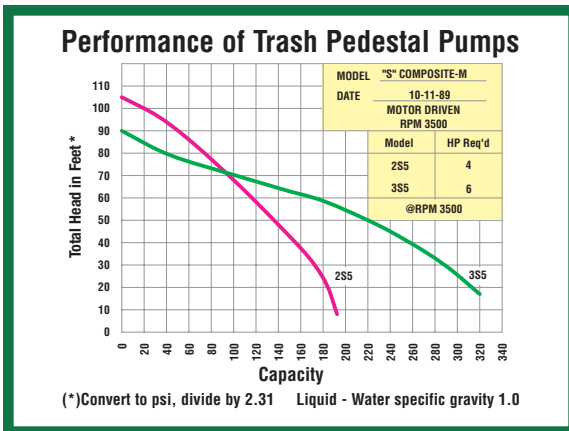
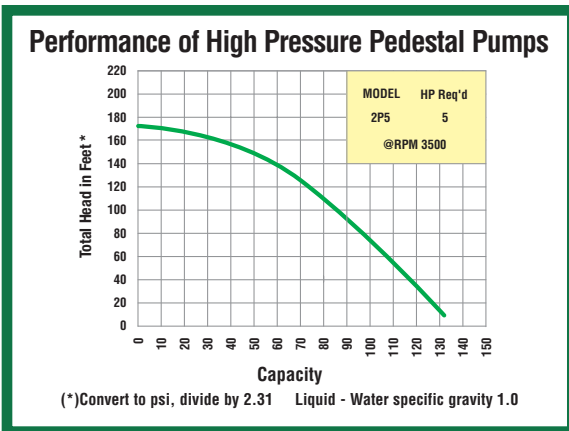
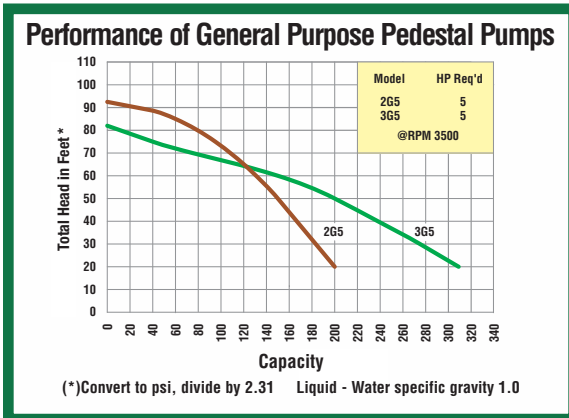
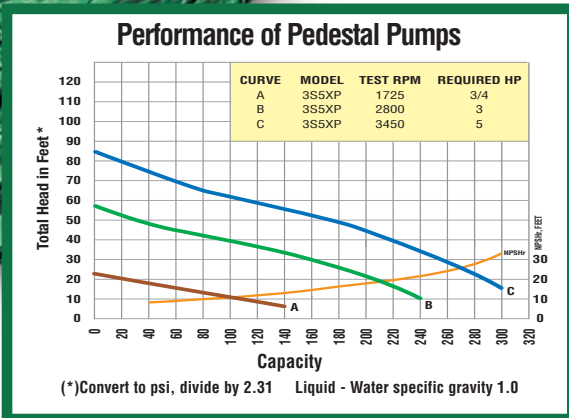
- **Cast Iron or Aluminum Construction**
- **General Purpose—Type G Only**
  - ◆ **Cast Iron Impeller and Volute for Long Life**
  - ◆ **EPDM/EPR Seals and O-Rings**
- **High Pressure—Type P Only**
  - ◆ **Aluminum Impeller with Cast Iron Volute for High Efficiency**
  - ◆ **EPDM/EPR Seals and O-Rings**
- **Trash—Type S Only**
  - ◆ **Cast Iron Impeller & Volute for Resistance to Wear and Abrasion**
  - ◆ **Silicon/Carbide/Viton® Mechanical Seal and EPDM/EPR O-Rings**



Aluminum Pedestal

Cast Iron Pedestal

Pedestal drive units for flex-coupling to an electric motor are available in general purpose, high pressure and trash versions. All models are standard with threaded impeller.





# General Purpose, High Pressure & Trash Pedestal Pumps

## Heavy Duty Cast Iron Pedestal Drive with Dual Sealed Ball Bearings

### General Purpose Pedestal Drive

Model	NPT	HP Required	Check Valve	O-Ring	Seal Type & Elastomer/Faces	Ship Wt. (Lbs.)
2G5PC	2"	5	EPDM/EPR	EPDM/EPR	EPDM/EPR/CAR/CER	57
3G5PC	3"					76

### Trash Pedestal Drive

Model	NPT	HP Required	Check Valve	O-Ring	Seal Type & Elastomer/Faces	Ship Wt. (Lbs.)
2S5PC	2"	5	EPDM/EPR	EPDM/EPR	Viton®/SIC/SIC	60
3S5PC	3"	6				80

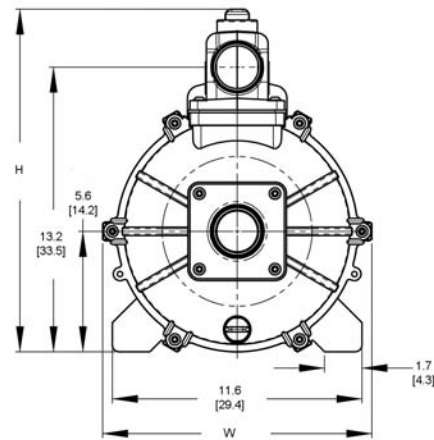
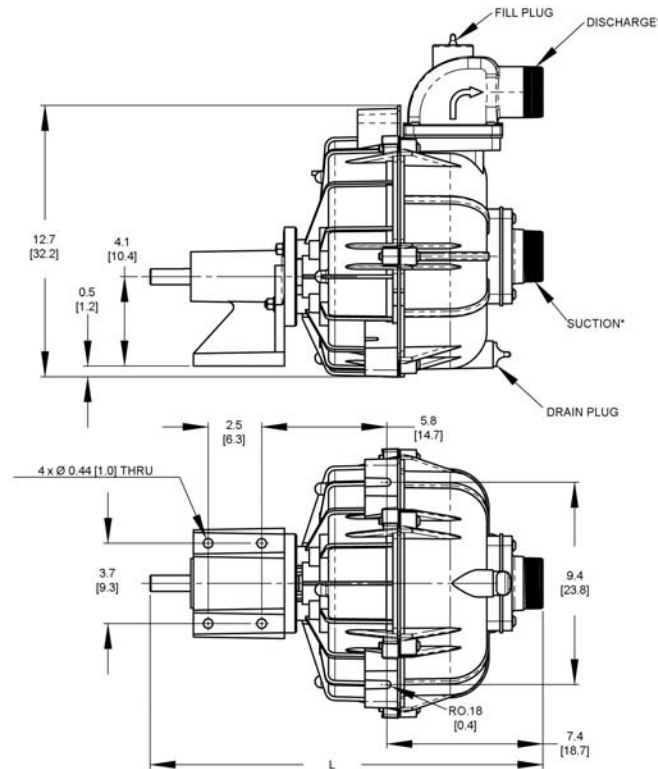
## Aluminum with Cast Iron Pedestal Drive with Dual Sealed Ball Bearings

### High Pressure Pedestal Drive

Model	NPT	HP Required	Check Valve	O-Ring	Seal Type & Elastomer/Faces	Ship Wt. (Lbs.)
2P5XP	2"	5	EPDM/EPR	EPDM/EPR	EPDM/EPR/CAR/CER	43

### Trash Pedestal Drive

Model	NPT	HP Required	Check Valve	O-Ring	Seal Type & Elastomer/Faces	Ship Wt. (Lbs.)
2S5XP	2"	5	EPDM/EPR	EPDM/EPR	Viton®/SIC/SIC	47
3S5XP	3"					49



### Pump Dimensional & Specification Data

Model	SUC*	DIS*	L	W	H
2G5P / 2S5P	2" (Male)	2" (Male)	15.1 [38.3]	12.4 [31.4]	11.0 [27.9]
3G5P / 3S5P	3" (Male)	3" (Male)	17.6 [44.7]	12.4 [31.4]	11.6 [29.4]
2P5XP / 2S5XP	2" (Male)	2" (Male)	18.3 [46.4]	12.5 [31.7]	16.4 [41.6]
3S5XP	3" (Male)	3" (Male)	18.5 [46.9]	12.5 [31.7]	16.0 [40.6]

(\* Standard NPT pipe thread.

NOTE: Dimensions are in inches (centimeters) and have a tolerance of ± 1/8".

### Standard Features

- Stainless Steel Internal Screws and Pins for Easy Servicing
- Large Pump Casing for Faster Priming
- Built-in EPDM/EPR Check Valve for Fast Priming
- Horizontal Discharge—No Need to Buy Elbow
- Threaded Male Connections—No Need to Buy Nipples
- Stainless Steel Shaft Sleeve
- Strainer Supplied with Each Pump—to Prevent Clogging



Manufacturer of AMT & IPT Pumps

400 Spring Street • Royersford, PA 19468 USA

[www.amtpump.com](http://www.amtpump.com) • 888-amt-pump (268-7867)

The Gorman-Rupp Company reserves the right to discontinue any model or change specifications at any time without incurring any obligation. ©2012 American Machine and Tool Company. All rights reserved.



GORMAN-RUPP®

1212