



Cast Iron Sewage & Trash Pumps

- **Cast Iron Construction**
- **Silicon Carbide/Buna N Mechanical Seal & O-Ring**
- **2", 3" & 4" NPT Port Sizes**
- **Self-Priming up to 20 Ft.**
- **Maximum Temperature 180° F**
- **Maximum Working Pressure 150 PSI**
- **Stainless Steel Semi-open, Clog Resistant Impeller**
- **Built In Check Valve**
- **Removable Cast Iron Volute/Wearplate**
- **Easy Cleanout Design**
- **Pull-from-Rear Design**
- **3" & 4" Models Feature Front Cleanout**
- **Available with 3 to 15 HP Totally Enclosed Fan Cooled (TEFC) Electric Motors**
- **Single and Three Phase, 3450 RPM Motors**

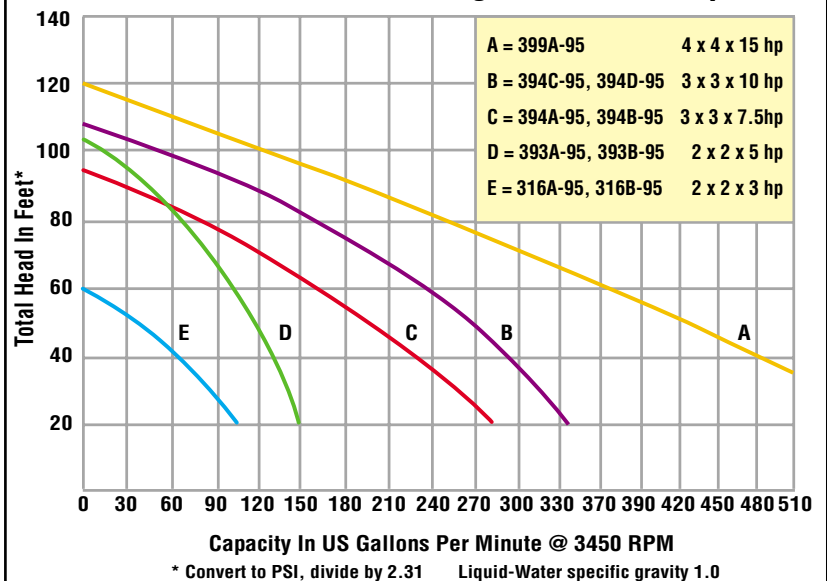
AMT Cast Iron Sewage/Trash pumps are designed for a trouble free and economical handling of solid laden liquids and slurries. Pumps are available in three NPT port sizes; 2", 3" and 4". Cast iron construction with 2 vane Stainless Steel self-cleaning impellers, Silicon Carbide mechanical seals for abrasion resistance and Buna N O-rings and check valves. Built-in check valve allows pumps to reprime automatically in an open system, without need of a foot valve. The solids handling capabilities of the pumps make them ideally suited for a variety of industrial applications including: sewage treatment, canneries, chemical processing, wineries, tanneries, meat packing, breweries, pulp, wood chips, process water, sludge and slime, waste water, white water and other applications.

AMT Sewage/Trash pumps will easily handle liquids containing sewage, stone, sticks, mud, and other solids. These pumps are reliable, cost effective and low maintenance. Many are readily available "Off-the-Shelf" for fast, same day shipment. For use with non-flammable liquids compatible with pump component materials.

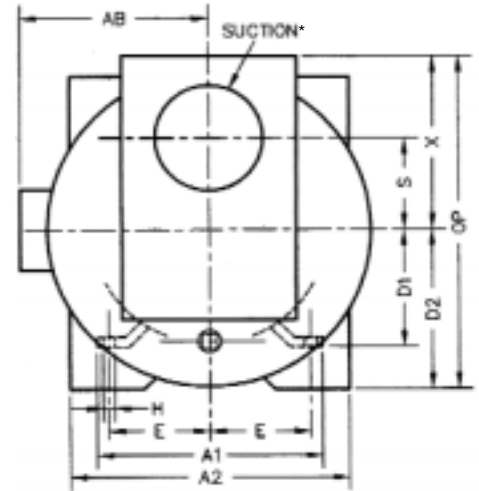
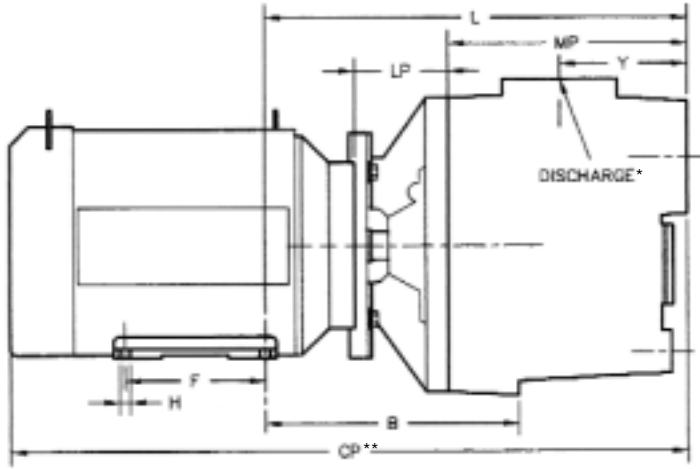
Cast Iron Sewage & Trash Pump



Performance of Sewage & Trash Pump



Cast Iron Sewage & Trash Pumps



Pump Dimensional Chart

Model No.	HP	SUC*	DIS*	CP**	A1	A2	AB	B	D1	D2	E	F	H	L	LP	MP	OP	S	X	Y	Ship Wt.
316A-95	3	2"	2"	21.0	6.5	N/A	5.0	N/A	3.5	N/A	2.4	3.0	0.88 x 0.34	11.0	2.3	6.1	8.2	2.1	2.6	3.1	87
316B-95	3	2"	2"	21.0	6.5	N/A	5.0	N/A	3.5	N/A	2.4	3.0	0.88 x 0.34	11.0	2.3	6.1	8.2	2.1	2.6	3.1	94
393A-95	5	2"	2"	25.0	6.4	7.0	7.5	9.7	4.5	5.2	3.7	5.5	0.4	14.8	4.4	6.9	10.	2.1	4.7	3.1	146
393B-95	5	2"	2"	25.0	6.4	7.0	8.6	9.7	4.5	5.2	3.7	5.5	0.4	14.8	4.4	6.9	10.	2.1	4.7	3.1	170
394A-95	7.5	3"	3"	26.5	6.4	9.0	7.5	10.0	4.5	5.7	3.7	5.5	0.4	16.5	3.7	9.3	12.4	3.5	6.6	5.0	200
394B-95	7.5	3"	3"	31.0	9.5	9.0	9.4	10.8	5.2	5.7	4.2	7.0	0.4	17.4	3.7	9.3	12.4	3.5	6.6	5.0	255
394C-95	10	3"	3"	31.0	9.5	9.0	8.2	10.8	5.2	5.7	4.2	7.0	0.4	17.4	3.7	9.3	12.4	3.5	6.6	5.0	215
394D-95	10	3"	3"	31.0	9.5	9.0	9.4	10.8	5.2	5.7	4.2	7.0	0.4	17.4	3.7	9.3	12.4	3.5	6.6	5.0	285
399A-95	15	4"	4"	32.0	9.5	9.5	8.2	11.2	5.2	6.1	4.2	7.0	0.4	18.5	3.7	10.3	14.3	3.5	8.1	6.6	287

Pump Specification Chart

Model No.	HP	PH	ENC	Frame	Voltage @ 60 Hz+	Full Load Amps	Max Solids
316A-95	3	3	TEFC	56J	230/460	8/4	1"
316B-95	3	1	TEFC	56J	230	16	1"
393A-95	5	3	TEFC	184JM	230/460	17/9	1"
393B-95	5	1	TEFC	184JM	230	20	1"
394A-95	7-1/2	3	TEFC	184JM	230/460	22/11	1-1/2"
394B-95	7-1/2	1	TEFC	215JM	230	31	1-1/2"
394C-95	10	3	TEFC	215JM	230/460	26/13	1-1/2"
394D-95	10	1	TEFC	215JM	230	40	1-1/2"
399A-95	15	3	TEFC	215JM	230/460	47/24	2"

(*) Standard NPT (female) pipe thread.

(**) This dimension may vary due to motor manufacturer's specifications.

(+) 3-Phase motors can operate on 50 Hz. (Thos will change Full Load Amps, Service Factor, RPM and Priming Capabilities)

NOTE: Dimensions have a tolerance of $\pm 1/8"$.

NOTE: Electric supply for ALL motors must be within $\pm 10\%$ of nameplate voltage rating (Ex. 230V $\pm 10\%$ = 207 to 253)

Standard Features

- **Cast Iron** Construction for Abrasive Resistance and Durability
- Self-cleaning Stainless Steel Impellers Resist Clogging and Wear
- Pull-from-Rear Design Permits Clean Out and Repair Without Removing Piping
- Silicon Carbide/Buna N Mechanical Seal
- Built in Buna N Check Valve
- Buna N O-Ring Casing Seal Reusable After Clean Out Maintenance
- Replaceable Cast Iron Volute/Wearplate Designed for Solids Handling
- Motor Includes Stainless Steel Shaft or Stainless Steel Shaft Sleeve
- 3" & 4" Models Feature Front Cleanout
- Available with 3 to 15 HP Totally Enclosed Fan Cooled (TEFC) Electric Motors
- Single and Three Phase, 3450 RPM Motors



400 Spring Street
 Royersford, PA 19468
 (610) 948-3800 Fax (610) 948-5300
 E-mail: amt@fast.net
 www.amtpump.com